

# *Clavinova*<sup>®</sup>

---

## OWNER'S MANUAL

CLP-470

CLP-440

CLP-430

CLP-S408

CLP-S406

CLP-465GP

### **IMPORTANT**

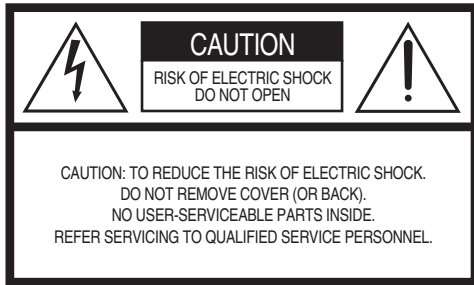
— Check your power supply —

Make sure that your local AC mains voltage matches the voltage specified on the name plate on the bottom panel. In some areas a voltage selector may be provided on the rear panel of the main keyboard unit near the power cord. Make sure that the voltage selector is set for the voltage in your area. The voltage selector is set at 240V when the unit is initially shipped. To change the setting use a "minus" screwdriver to rotate the selector dial so that the correct voltage appears next to the pointer on the panel.

For information on assembling the instrument, refer to the instructions at the end of this manual.

# SPECIAL MESSAGE SECTION

**PRODUCT SAFETY MARKINGS:** Yamaha electronic products may have either labels similar to the graphics shown below or molded/stamped facsimiles of these graphics on the enclosure. The explanation of these graphics appears on this page. Please observe all cautions indicated on this page and those indicated in the safety instruction section.



See bottom of Keyboard enclosure for graphic symbol markings.



The exclamation point within the equilateral triangle is intended to alert the user to the presence of important operating and maintenance (servicing) instructions in the literature accompanying the product.



The lightning flash with arrowhead symbol, within the equilateral triangle, is intended to alert the user to the presence of uninsulated “dangerous voltage” within the product’s enclosure that may be of sufficient magnitude to constitute a risk of electrical shock.

**IMPORTANT NOTICE:** All Yamaha electronic products are tested and approved by an independent safety testing laboratory in order that you may be sure that when it is properly installed and used in its normal and customary manner, all foreseeable risks have been eliminated. **DO NOT** modify this unit or commission others to do so unless specifically authorized by Yamaha. Product performance and/or safety standards may be diminished. Claims filed under the expressed warranty may be denied if the unit is/has been modified. Implied warranties may also be affected.

**SPECIFICATIONS SUBJECT TO CHANGE:** The information contained in this manual is believed to be correct at the time of printing. However, Yamaha reserves the right to change or modify any of the specifications without notice or obligation to update existing units.

**ENVIRONMENTAL ISSUES:** Yamaha strives to produce products that are both user safe and environmentally friendly. We sincerely believe that our products and the production methods used to produce them, meet these goals. In keeping with both the letter and the spirit of the law, we want you to be aware of the following:

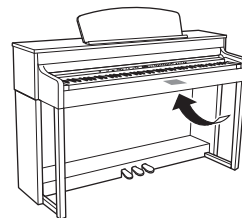
**Battery Notice:** This product MAY contain a small non-rechargeable battery which (if applicable) is soldered in place. The average life span of this type of battery is approximately five years. When replacement becomes necessary, contact a qualified service representative to perform the replacement.

**Warning:** Do not attempt to recharge, disassemble, or incinerate this type of battery. Keep all batteries away from children. Dispose of used batteries promptly and as regulated by applicable laws. Note: In some areas, the servicer is required by law to return the defective parts. However, you do have the option of having the servicer dispose of these parts for you.

**Disposal Notice:** Should this product become damaged beyond repair, or for some reason its useful life is considered to be at an end, please observe all local, state, and federal regulations that relate to the disposal of products that contain lead, batteries, plastics, etc.

**NOTICE:** Service charges incurred due to lack of knowledge relating to how a function or effect works (when the unit is operating as designed) are not covered by the manufacturer’s warranty, and are therefore the owners responsibility. Please study this manual carefully and consult your dealer before requesting service.

**NAME PLATE LOCATION:** The graphic below indicates the location of the name plate. The model number, serial number, power requirements, etc., are located on this plate. You should record the model number, serial number, and the date of purchase in the spaces provided below and retain this manual as a permanent record of your purchase.



**Model** \_\_\_\_\_

**Serial No.** \_\_\_\_\_

**Purchase Date** \_\_\_\_\_

# FCC INFORMATION (U.S.A.)

## 1. IMPORTANT NOTICE: DO NOT MODIFY THIS UNIT!

This product, when installed as indicated in the instructions contained in this manual, meets FCC requirements. Modifications not expressly approved by Yamaha may void your authority, granted by the FCC, to use the product.

## 2. IMPORTANT:

When connecting this product to accessories and/or another product use only high quality shielded cables. Cable/s supplied with this product MUST be used. Follow all installation instructions. Failure to follow instructions could void your FCC authorization to use this product in the USA.

## 3. NOTE:

This product has been tested and found to comply with the requirements listed in FCC Regulations, Part 15 for Class "B" digital devices. Compliance with these requirements provides a reasonable level of assurance that your use of this product in a residential environment will not result in harmful interference with other electronic devices. This equipment generates/uses radio frequencies and, if not installed and used according to the instructions found in the users manual, may cause interference harmful to the operation of other electronic devices. Compliance with FCC regulations

does not guarantee that interference will not occur in all installations. If this product is found to be the source of interference, which can be determined by turning the unit "OFF" and "ON"; please try to eliminate the problem by using one of the following measures:

Relocate either this product or the device that is being affected by the interference.

Utilize power outlets that are on different branch (circuit breaker or fuse) circuits or install AC line filter/s. In the case of radio or TV interference, relocate/reorient the antenna. If the antenna lead-in is 300 ohm ribbon lead, change the lead-in to co-axial type cable.

If these corrective measures do not produce satisfactory results, please contact the local retailer authorized to distribute this type of product. If you can not locate the appropriate retailer, please contact Yamaha Corporation of America, Electronic Service Division, 6600 Orangethorpe Ave, Buena Park, CA90620

The above statements apply ONLY to those products distributed by Yamaha Corporation of America or its subsidiaries.

\* This applies only to products distributed by YAMAHA CORPORATION OF AMERICA.

(class B)

## COMPLIANCE INFORMATION STATEMENT (DECLARATION OF CONFORMITY PROCEDURE)

Responsible Party : Yamaha Corporation of America  
Address : 6600 Orangethorpe Ave.,  
Buena Park, Calif. 90620  
Telephone : 714-522-9011  
Type of Equipment : Digital Piano  
Model Name : CLP-470/440/430/S408/S406/  
465GP

This device complies with Part 15 of the FCC Rules.

Operation is subject to the following two conditions:

- 1) this device may not cause harmful interference, and
- 2) this device must accept any interference received including interference that may cause undesired operation.

See user manual instructions if interference to radio reception is suspected.

\*This applies only to products distributed by  
YAMAHA CORPORATION OF AMERICA.

(FCC DoC)

## IMPORTANT NOTICE FOR THE UNITED KINGDOM

### Connecting the Plug and Cord

IMPORTANT. The wires in this mains lead are coloured in accordance with the following code:

BLUE : NEUTRAL  
BROWN : LIVE

As the colours of the wires in the mains lead of this apparatus may not correspond with the coloured markings identifying the terminals in your plug proceed as follows:

The wire which is coloured BLUE must be connected to the terminal which is marked with the letter N or coloured BLACK.

The wire which is coloured BROWN must be connected to the terminal which is marked with the letter L or coloured RED.

Making sure that neither core is connected to the earth terminal of the three pin plug.

•This applies only to products  
distributed by Yamaha Music U.K. Ltd.

(2 wires)

# PRECAUTIONS

## PLEASE READ CAREFULLY BEFORE PROCEEDING

\* Please keep this manual in a safe place for future reference.



### WARNING

Always follow the basic precautions listed below to avoid the possibility of serious injury or even death from electrical shock, short-circuiting, damages, fire or other hazards. These precautions include, but are not limited to, the following:

#### Power supply/Power cord

- Do not place the power cord near heat sources such as heaters or radiators, and do not excessively bend or otherwise damage the cord, place heavy objects on it, or place it in a position where anyone could walk on, trip over, or roll anything over it.
- Only use the voltage specified as correct for the instrument. The required voltage is printed on the name plate of the instrument.
- Use only the supplied power cord/plug.
- Check the electric plug periodically and remove any dirt or dust which may have accumulated on it.

#### Do not open

- This instrument contains no user-serviceable parts. Do not open the instrument or attempt to disassemble or modify the internal components in any way. If it should appear to be malfunctioning, discontinue use immediately and have it inspected by qualified Yamaha service personnel.

#### Water warning

- Do not expose the instrument to rain, use it near water or in damp or wet conditions, place on it any containers (such as vases, bottles or glasses) containing liquids which might spill into any openings. If any liquid such as water seeps into the instrument, turn off the power immediately and unplug the power cord from the AC outlet. Then have the instrument inspected by qualified Yamaha service personnel.
- Never insert or remove an electric plug with wet hands.

#### Fire warning

- Do not put burning items, such as candles, on the unit. A burning item may fall over and cause a fire.

#### If you notice any abnormality

- When one of the following problems occur, immediately turn off the power switch and disconnect the electric plug from the outlet. Then have the device inspected by Yamaha service personnel.
  - The power cord or plug becomes frayed or damaged.
  - It emits unusual smells or smoke.
  - Some object has been dropped into the instrument.
  - There is a sudden loss of sound during use of the instrument.





## CAUTION

Always follow the basic precautions listed below to avoid the possibility of physical injury to you or others, or damage to the instrument or other property. These precautions include, but are not limited to, the following:

### Power supply/Power cord

- Do not connect the instrument to an electrical outlet using a multiple-connector. Doing so can result in lower sound quality, or possibly cause overheating in the outlet.
- When removing the electric plug from the instrument or an outlet, always hold the plug itself and not the cord. Pulling by the cord can damage it.
- Remove the electric plug from the outlet when the instrument is not to be used for extended periods of time, or during electrical storms.

### Assembly

- Read carefully the attached documentation explaining the assembly process. Failure to assemble the instrument in the proper sequence might result in damage to the instrument or even injury.

### Location

- Do not place the instrument in an unstable position where it might accidentally fall over.
- When transporting or moving the instrument, always use two or more people. Attempting to lift the instrument by yourself may damage your back, result in other injury, or cause damage to the instrument itself.
- Before moving the instrument, remove all connected cables.
- When setting up the product, make sure that the AC outlet you are using is easily accessible. If some trouble or malfunction occurs, immediately turn off the power switch and disconnect the plug from the outlet. Even when the power switch is turned off, electricity is still flowing to the product at the minimum level. When you are not using the product for a long time, make sure to unplug the power cord from the wall AC outlet.

### Connections

- Before connecting the instrument to other electronic components, turn off the power for all components. Before turning the power on or off for all components, set all volume levels to minimum.
- Be sure to set the volumes of all components at their minimum levels and gradually raise the volume controls while playing the instrument to set the desired listening level.

### Handling caution

- Do not insert a finger or hand in any gaps on the key cover or instrument. Also take care that the key cover does not pinch your finger.
- Never insert or drop paper, metallic, or other objects into the gaps on the key cover, panel or keyboard. This could cause physical injury to you or others, damage to the instrument or other property, or operational failure.
- Do not rest your weight on, or place heavy objects on the instrument, and do not use excessive force on the buttons, switches or connectors.
- Do not use the instrument/device or headphones for a long period of time at a high or uncomfortable volume level, since this can cause permanent hearing loss. If you experience any hearing loss or ringing in the ears, consult a physician.

### Using the bench (If included)

- Do not place the bench in an unstable position where it might accidentally fall over.
- Do not play carelessly with or stand on the bench. Using it as a tool or stepladder or for any other purpose might result in accident or injury.
- Only one person should sit on the bench at a time, in order to prevent the possibility of accident or injury.
- If the bench screws become loose due to extensive long-term use, tighten them periodically using the included tool.

Yamaha cannot be held responsible for damage caused by improper use or modifications to the instrument, or data that is lost or destroyed.

Always turn the power off when the instrument is not in use.

# NOTICE

---

To avoid the possibility of malfunction/ damage to the product, damage to data, or damage to other property, follow the notices below.

## ■ Handling and Maintenance

- Do not use the instrument in the vicinity of a TV, radio, stereo equipment, mobile phone, or other electric devices. Otherwise, the instrument, TV, or radio may generate noise.
- Do not expose the instrument to excessive dust or vibrations, or extreme cold or heat (such as in direct sunlight, near a heater, or in a car during the day) to prevent the possibility of panel discoloration, damage to the internal components or unstable operation. (Verified operating temperature range: 5° – 40°C, or 41° – 104°F.)
- Do not place vinyl, plastic or rubber objects on the instrument, since this might discolor the panel or keyboard.
- In the case of a model with a polished finish, bumping the surface of the instrument with metal, porcelain, or other hard objects can cause the finish to crack or peel. Use caution.
- During extreme changes in temperature or humidity, condensation may occur and water may collect on the surface of the instrument. If water is left, the wooden parts may absorb the water and be damaged. Make sure to wipe any water off immediately with a soft cloth.

## ■ Saving data

- Saved data may be lost due to malfunction or incorrect operation. Save important data to a USB storage device/ external device such as a computer (page 42).
- To protect against data loss through media damage, we recommend that you save your important data onto two USB storage devices.

## Information

### ■ About copyrights

- Copying of the commercially available musical data including but not limited to MIDI data and/or audio data is strictly prohibited except for your personal use.
- This product incorporates and bundles computer programs and contents in which Yamaha owns copyrights or with respect to which it has license to use others' copyrights. Such copyrighted materials include, without limitation, all computer software, style files, MIDI files, WAVE data, musical scores and sound recordings. Any unauthorized use of such programs and contents outside of personal use is not permitted under relevant laws. Any violation of copyright has legal consequences. DON'T MAKE, DISTRIBUTE OR USE ILLEGAL COPIES.

### ■ About functions/data bundled with the instrument

- Some of the preset songs have been edited for length or arrangement, and may not be exactly the same as the original.

### ■ About this manual

- The illustrations and displays as shown in this manual are for instructional purposes only, and may appear somewhat different from those on your instrument.
- Windows is a registered trademark of Microsoft® Corporation in the United States and other countries.
- Apple, Mac and Macintosh are trademarks of Apple Inc., registered in the U.S. and other countries.
- The company names and product names in this manual are the trademarks or registered trademarks of their respective companies.

Thank you for purchasing the Yamaha Clavinova! We recommend that you read this manual carefully so that you can fully take advantage of the advanced and convenient functions of the Clavinova. We also recommend that you keep this manual in a safe and handy place for future reference.

## Included Accessories

- **Owner's manual (this book)**
- **"50 greats for the Piano" (Music Book)**
- **My Yamaha Product User Registration**  
The PRODUCT ID on the sheet will be needed when you fill out the User Registration form.
- **AC Power Cord**
- **Bench**  
A bench may be included or optional, depending on your locale.

## About the Manuals

This instrument has the following documents and instructional materials.

### ■ Included Documents



#### Owner's Manual (this book)

This document explains how to use the Clavinova.

#### • Introduction

This section explains how to set up and start using your Clavinova. Setup is so simple, you can start playing right away.

#### • Advanced Functions

This section introduces useful functions that aid in your practice, such as playing back the preset songs, recording your performance and more.

#### • Detailed Settings

This section explains how to make detailed settings for the Clavinova's various functions.

#### • Appendix

This section contains various reference material, such as the display message list, Voice list and other information.

### Icons on this manual

Example



This indicates that the relevant function is only available on certain models. These icons indicate that the function is available on the CLP-470/440/430/465GP but not on the CLP-S408/S406.

### ■ Online Materials (Downloadable from the web)



#### MIDI Data Format

This document contains both the MIDI Data Format and the MIDI Implementation Chart.



#### MIDI Basics (English, French, German and Spanish only)

If you want to know more about MIDI and how to use it, refer to this introductory book.

The instructional materials above are available for downloading from the Yamaha Manual Library. Access the Yamaha Manual Library, then enter your model name (CLP-470, for example) in the Model Name area to search for the manuals.

#### Yamaha Manual Library

<http://www.yamaha.co.jp/manual/>

# Main Features

---

## **Real Grand Expression (RGE) Sound Engine**

---

This lets you enjoy the playing response and expressive capability of a concert grand piano. In addition to providing smooth tonal changes that respond to your playing touch, it also features a new Smooth Release function which can clearly enunciate staccato notes and produce the sound of lingering resonance when gently lifting your fingers from the keys. These effects capture the true essence of an acoustic grand piano to help you create and perform with luscious piano-like expression.

## **Highly evolved touch and expression: Graded Hammer 3 (GH3) keyboard (CLP-430/465GP) and Graded Hammer 3 (GH3) keyboard with synthetic ivory keytops (CLP-440/S406)**

---

The Graded Hammer keyboard features natural grand-piano type key weights (heavier in the low range and lighter in the higher range) providing a pleasant playability that is unmatched by conventional electronic pianos.

The Graded Hammer keyboard also offers superb playability for legato (without pedal operation) and repetitive striking techniques, as with a grand piano.

The CLP-440/S406 feature synthetic ivory keytops which simulates the moderate hygroscopic characteristics of real ivory and offers a less slippery surface, smooth key movement, and a warm and inviting color.

## **NW (Natural Wood) keyboard with synthetic ivory keytops and Linear Graded Hammer (CLP-470/S408)**

---

In addition to the features offered by the GH3 keyboard with the synthetic ivory top model, the CLP-470/S408 uses natural wood for the inside of the white keys (NW keyboard), and utilizes the Linear Graded Hammer feature, in which the hammer weight of all keys is different, just as on an acoustic piano. These features provide a heavier weighted touch that surpasses that of conventional electronic pianos and is closer in feel to a grand piano.

## **Audio Playing and Recording from a USB Flash Memory**

---

Audio files (.wav) saved to a USB storage device such as a USB flash memory can be played back on the instrument. Moreover, since you can record your performance as audio data to a USB flash memory device, it is possible to listen to your performance on portable music players, with the data transferred by computer.

# Table of Contents

---

PRECAUTIONS .....	4
NOTICE .....	6
Included Accessories .....	7
About the Manuals .....	7
Main Features .....	8

## Introduction

---

Panel Controls .....	10
Getting Started	
— Playing the Clavinova as a Piano .....	12
Key Cover .....	12
Music Rest .....	13
Music Braces .....	14
Lid .....	14
Turning the power on .....	15
Setting the volume — [MASTER VOLUME] .....	16
Using headphones .....	17
Switching the speakers on/off .....	17
Using the pedals .....	18
Adjusting the touch sensitivity — [TOUCH] .....	19
Using the metronome — [METRONOME] .....	20
Maintenance .....	21

## Advanced Functions

---

Playing various musical instrument sounds (Voices) .....	22
Selecting Voices .....	22
Listening to the Voice Demo Songs .....	22
Enhancing and customizing the sound — [BRILLIANCE]/ [REVERB]/[EFFECT] .....	24
Transposition — [TRANSPOSE] .....	25
Layering two Voices (Dual mode) .....	26
Splitting the keyboard range and playing two different Voices (Split mode) .....	27
Playing back Songs .....	29
Songs compatible with this instrument .....	29
Playing back Songs .....	30
Useful playback functions .....	32
Playing a one-hand part — Part Cancel function (MIDI Songs) .....	32
A-B Repeat function (MIDI Songs) .....	33
Recording Your Performance .....	34
Quickly recording a performance without specifying a part (MIDI/Audio recording) .....	34
Recording specific parts of a Performance (MIDI recording) .....	36

Deleting recorded performance data (MIDI recording) ..	37
Changing the initial settings such as Voice and Tempo after recording (MIDI recording) .....	38

Handling Song Files .....	40
Convert a MIDI Song to an Audio Song during playback .....	41
Copying User Songs in the instrument to a USB storage device .....	42
Deleting a Song file in the USB storage device .....	43
Formatting the USB storage device .....	44
Connections .....	45
Connectors .....	45
Connecting a USB storage device .....	47
Connecting to a computer .....	48
Connecting external MIDI devices .....	50

## Detailed Settings

---

Function Parameters — Various Convenient Settings .....	51
Function mode — basic operation .....	52
Function parameters — details .....	53
Restoring the default (factory-programmed) settings .....	61

## Appendix

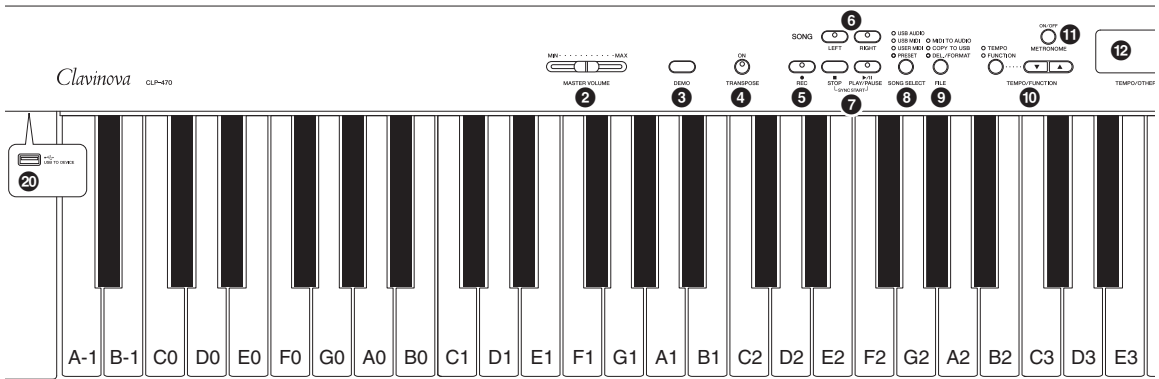
---

Message List .....	62
Troubleshooting .....	63
Preset Voice List .....	64
Default Setting List .....	67
Assembling the Clavinova .....	69
Assembly Precautions .....	69
CLP-470 Assembly .....	70
CLP-440/430 Assembly .....	73
CLP-S408 Assembly .....	76
CLP-S406 Assembly .....	80
CLP-465GP Assembly .....	84
Specifications .....	87
Index .....	89

# Introduction

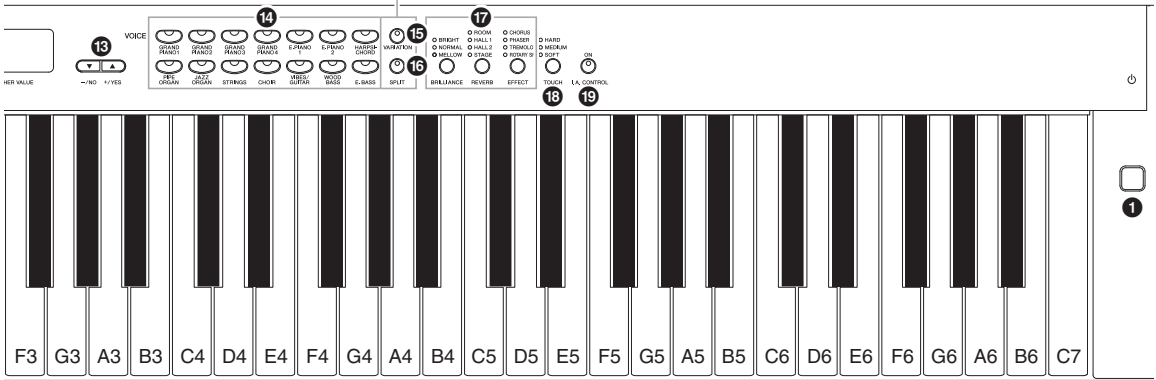
## Panel Controls

The panel illustrations shown are taken from the CLP-470.

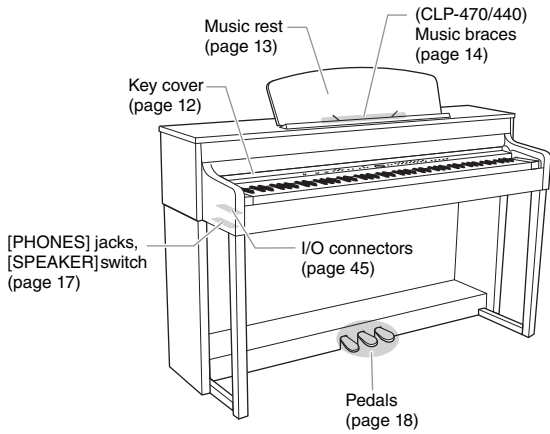


- ① [ ] Power switch .....page 15
- ② [MASTER VOLUME] slider .....page 16  
For adjusting the volume level using this slider.
- ③ [DEMO] button.....page 23  
Demonstration playback is available for each Voice.
- ④ [TRANPOSE] button .....page 25  
You can shift the pitch of the entire keyboard up or down so that the pitch will match that of another instrument or singer, while you play the same, unshifted keys.
- ⑤ [REC] button.....page 34  
For recording your keyboard performance.
- ⑥ [RIGHT], [LEFT] buttons .....page 32  
For turning the left- and right-hand parts on or off as desired so you can practice the corresponding part (the part that is turned off) on the keyboard.
- ⑦ [PLAY/PAUSE], [STOP] buttons.....page 30  
These control playback of the Preset Songs and your recorded songs, etc.
- ⑧ [SONG SELECT] button.....page 30  
For selecting a Song to play back or record.
- ⑨ [FILE] button .....page 40  
For managing song files such as copying recorded songs to a USB storage device, as well as formatting a USB storage device.
- ⑩ [TEMPO/FUNCTION], [TEMPO/FUNCTION ▼▲] buttons .... pages 20, 52  
For changing the song tempo (speed) and selecting other useful functions.
- ⑪ [METRONOME] button.....page 20  
For using the metronome.
- ⑫ Display..... page 15  
**NOTICE**  
Do not turn off the power to the instrument while flashing dashes appear in the display (indicating the operation is in process). Doing so may damage the data.
- ⑬ [-/NO], [+ /YES] buttons  
For setting values or performing file operations. Pressing both buttons simultaneously for certain value settings (Transpose, Tempo, etc.) restores the default value.
- ⑭ Voice buttons..... page 22  
For selecting Voices.
- ⑮ [VARIATION] button (CLP-470/440/S408/S406)..... page 22  
Lets you call up an alternate version of the selected Voice, having a different sound.
- ⑯ [SPLIT] button (CLP-470/440/S408/S406)..... page 27  
For playing different Voices on the left- and right-hand sections of the keyboard.
- ⑰ [BRILLIANCE], [REVERB], [EFFECT] buttons..... page 24  
For adjusting the brightness of the sound and adding reverb effects to the sound.
- ⑱ [TOUCH] button ..... page 19  
For adjusting the touch response.
- ⑲ [I. A. CONTROL] button..... page 16  
For adjusting the sound quality depending on the master volume.
- ⑳ [USB TO DEVICE] terminal ..... page 47  
For connecting the instrument to a USB storage device, allowing you to copy the recorded data in the instrument to the device or play back data stored in the device.

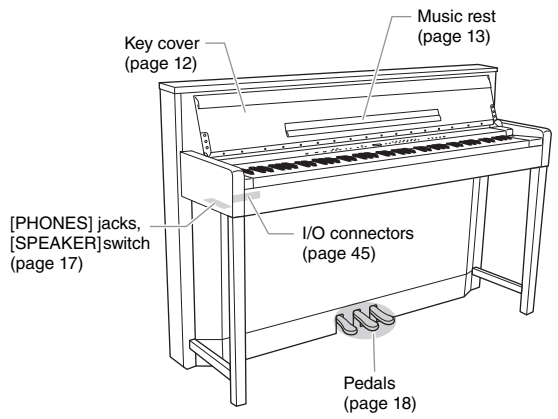
(CLP-470/440/S408/S406)



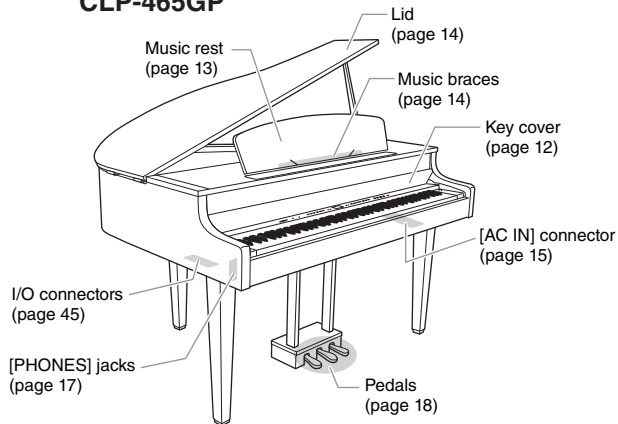
**CLP-470/440/430**



**CLP-S408/S406**



**CLP-465GP**



# Getting Started — Playing the Clavinova as a Piano

With the full set of pedals and expressive keyboard, this instrument can be played just like a real acoustic piano. This section shows you how to simply set up the instrument and play it. It also shows you how to use the built-in metronome, convenient for practice purposes. We've also included for your piano-playing pleasure "50 greats for the Piano," a score book to help you master the instrument.

## Key Cover

### CAUTION

- Hold the cover with both hands when opening or closing it. Do not release it until it is fully opened or closed. Be careful to avoid catching fingers (yours or others, especially children's) between the cover and the unit.
- Do not place objects such as a piece of metal or paper on top of the key cover. Small objects placed on the key cover may fall inside the unit when the cover is opened and may be nearly impossible to remove. This could cause electric shock, short circuit, fire or other serious damage to the instrument.

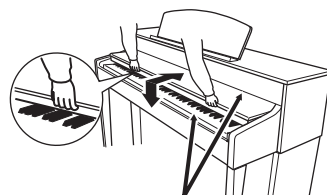
### NOTICE

- Disconnect the optional USB storage device connected to the [USB TO DEVICE] terminal before closing the key cover. Closing the cover with the device still connected may damage the device.
- (CLP-S408/S406) When transporting the instrument, cover the entire keyboard with the protective sheet (pages 76, 80) before closing the key cover. The sheet will protect the keyboard from being scratched.

470 440 430 S408 S406 465GP

### To open the key cover:

Lift the cover slightly, then push and slide it to the end completely so that both the panel buttons and keyboard are visible. In this condition, you can make various panel operations such as Voice selection and Song recording/playback as well as playing the keyboard.



Be careful to avoid catching your fingers when opening or closing the cover.

### To close the key cover:

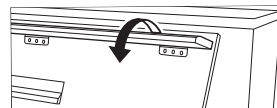
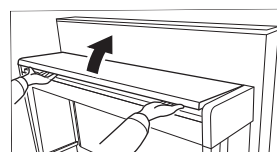
Slide the cover toward you and gently lower the cover over the keys.

You can open the key cover so that only the keyboard appears. This hides the "electronic" panel controls and lets you feel as if you're playing an actual acoustic piano.

470 440 430 S408 S406 465GP

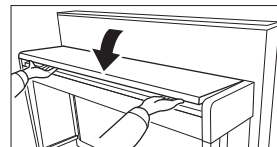
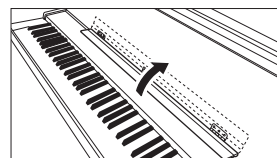
### To open the key cover:

1. Hold the front edge of the key cover top with both hands, then open the key cover slowly.
2. Close the edge of the key cover. (Fold it down so that it is flat with the cover.)



### To close the key cover:

1. If the music rest is unfolded, fold it back.
2. Unfold the edge of the key cover.
3. Hold the key cover with both hands and close it slowly.



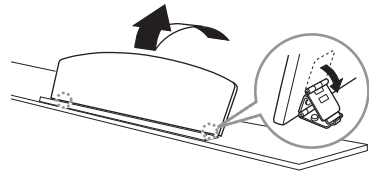


# Music Rest

470 440 430 S408 S406 465GP

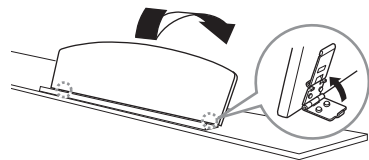
## To raise the music rest:

1. Pull the music rest up and toward yourself as far as it will go.
2. Flip down the two metal supports at the left and right on the rear of the music rest.
3. Lower the music rest so that it rests on the metal supports.



## To lower the music rest:

1. Pull the music rest toward yourself as far as it will go.
2. Raise the two metal supports (at the rear of the music rest).
3. Gently lower the music rest backward until it is all the way down.



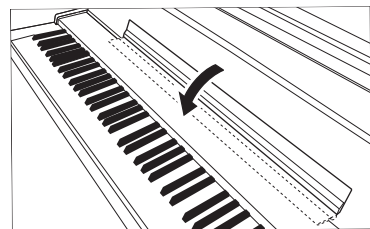
### CAUTION

Do not try to use the music rest in a half-raised position. Also, when raising or lowering the music rest, do not release your hands from the music rest until it is all the way up or down.

470 440 430 S408 S406 465GP

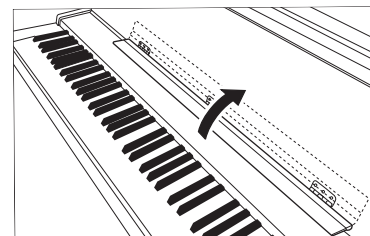
## Unfold the music rest:

When opening the key cover, unfold the music rest.



## Fold the music rest:

When closing the key cover, fold the music rest.

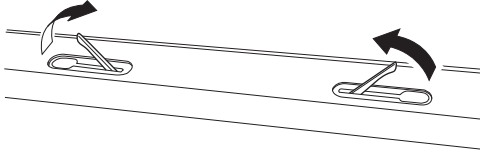


# Music Braces

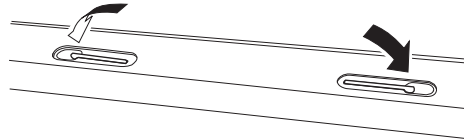
470 440 430 S408 S406 465GP

These braces are for holding the pages of music books in place.

## To open



## To close



# Lid

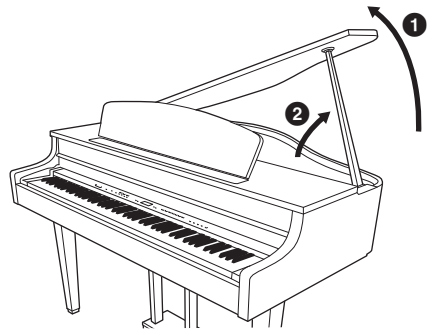
470 440 430 S408 S406 465GP

## ⚠ CAUTION

- Make sure that the end of the stay fits securely in the lid recess. If the stay is not properly seated in the recess, the lid may fall, causing damage or injury.
- Be careful that you or others do not bump the stay while the lid is raised. The stay may be bumped out of the lid recess causing the lid to fall.
- Be careful to avoid catching fingers (yours or others, especially children's) when raising or lowering the lid.

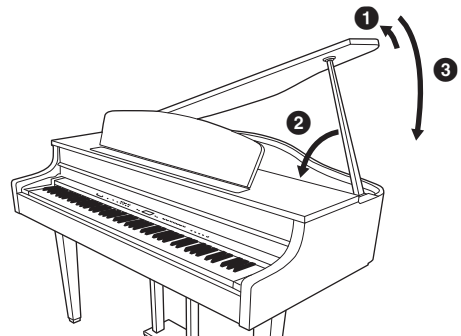
## To open the lid:

1. Raise and hold the right side of the lid (viewed from the keyboard end of the instrument).
2. Raise the lid stay and carefully lower the lid so that the end of the stay fits into the recess in the lid.



## To close the lid:

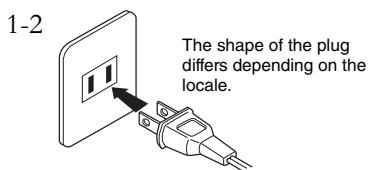
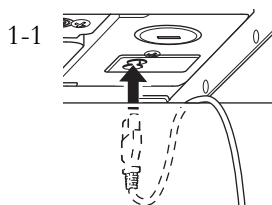
1. Hold the lid stay and carefully raise the lid.
2. Hold the lid in its raised position and lower the lid stay.
3. Carefully lower the lid.



# Turning the power on

## 1. Connect the power cord.

First insert the plug of the power cable into the AC connector on the Clavinova, then plug the other end of the cable into the proper AC outlet on the wall. In some areas a plug adaptor may be provided to match the pin configuration of the AC wall outlets in your area. For more information on connecting the power cord, refer to the assembly instructions on page 69.



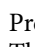
### **WARNING**

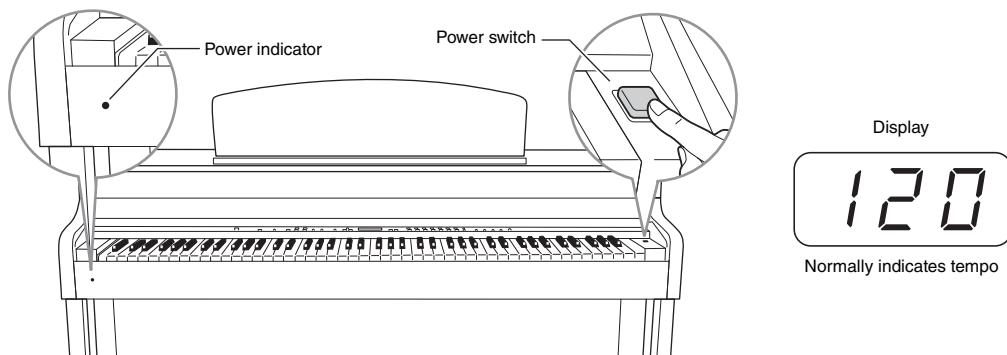
Make sure your instrument is rated for the AC voltage supplied in the area in which it is to be used (voltage rating appears on the name plate on the bottom panel). In some areas, a voltage selector may be provided on the bottom panel of the main keyboard unit near the AC IN. Make sure that the voltage selector is set for the voltage in your area. Connecting the unit to the wrong AC supply can cause serious damage to the internal circuitry and may even pose a shock hazard!

Use only the AC power cord supplied with your instrument. If the supplied cord is lost or damaged and needs to be replaced, contact your Yamaha dealer. The use of an inappropriate replacement can pose a fire and shock hazard!

The type of AC power cord provided with your instrument may be different depending on the country in which it is purchased. (In some areas a plug adaptor may be provided to match the pin configuration of the AC wall outlets in your area.) Do NOT modify the plug provided with your instrument. If the plug will not fit the outlet, have a proper outlet installed by a qualified electrician.

## 2. Turn the power on.

Press the [  ] power switch located on the right of the keyboard to turn the power on. The display located in the center of the front panel and the power indicator located below the left end of the keyboard lights up.



### **Power indicator**

If you close the key cover without turning the power off, the power indicator remains lit, indicating that the power is still on.

When you're ready to turn off the power, press the power switch again.

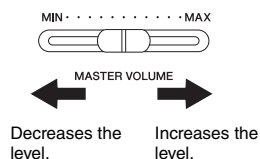
The display and the power indicator turn off.

### **CAUTION**

Even when the instrument is turned off, electricity is still flowing to the instrument at the minimum level. When you are not using the instrument for a long time or during electrical storms, make sure you unplug the AC power plug from the wall AC outlet.

## Setting the volume — [MASTER VOLUME]

To adjust the volume, use the [MASTER VOLUME] slider located at the left of the panel. Play the keyboard to actually produce sound while you adjust the volume.



**MASTER VOLUME:** The volume level of the entire keyboard sound.

### **CAUTION**

Even when the instrument is turned off, electricity is still flowing to the instrument at the minimum level. When you are not using the instrument for a long time or during electrical storms, make sure you unplug the AC power plug from the wall AC outlet.

### **NOTE**

Adjusting the [MASTER VOLUME] slider also affects the output level of the [PHONES] jacks and the output level of the AUX OUT jack.

## I.A. Control (Intelligent Acoustic Control)

I.A. Control is a function which automatically adjusts and controls the sound quality according to the overall volume of the instrument. Even when the volume is low, it permits both low sounds and high sounds to be clearly heard.

Pressing the [I.A. CONTROL] button turns the function on and off. When it is on, the lamp lights. I.A. Control is effective only from the sound output of the instrument speakers.



### Adjusting I. A. Control Depth

The depth of I. A. Control can be adjusted by holding down the [I. A. CONTROL] button and simultaneously using the [-/NO] [+ /YES] buttons. The range is from -3 to 3. The higher the value, the more clearly that low and high sounds are heard at lower volume levels. The current setting appears on the display while the [I. A. CONTROL] button is held.

The default setting (0) can be recalled by holding down the [I. A. CONTROL] button and simultaneously pressing the [-/NO] and [+ /YES] buttons together.

## Using headphones

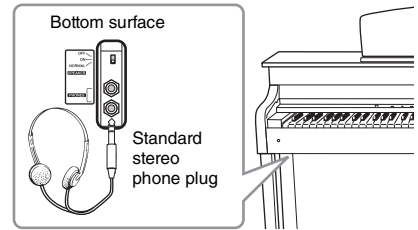
Connect a pair of headphones to one of the [PHONES] jacks. Two [PHONES] jacks are provided. You can connect two sets of standard stereo headphones. (If you are using only one pair of headphones, you can plug them into either of these jacks.)

### CAUTION

Do not use headphones at a high volume for an extended period of time. Doing so may cause hearing loss.

#### Optional headphones

HPE-160 Yamaha headphones.

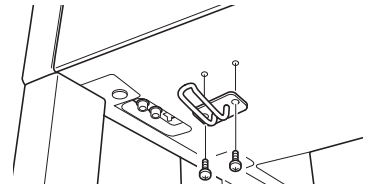


## Using the headphone hanger

You can hang the headphones on the instrument. Install the headphone hanger using included two screws (4 x 10mm) as shown in the illustration.

### NOTICE

Do not hang anything other than the headphones on the hanger. Doing so may damage the instrument or the hanger.



## Switching the speakers on/off

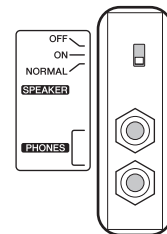
470 440 430 S408 S406 465GP

The [SPEAKER] switch turns the internal speakers on or off.

**NORMAL**..... The speakers produce sound as long as a pair of headphones is not connected.

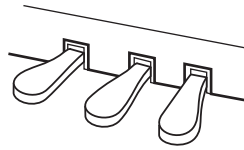
**ON** ..... The speakers always produce sound.

**OFF**..... The speakers produce no sound.



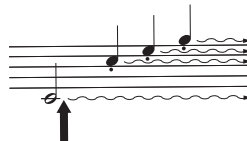
# Using the pedals

The Clavinova has three foot pedals: damper pedal (right), sostenuto pedal (center), and soft pedal (left) that produce a range of expressive effects similar to those produced by the pedals on an acoustic piano.



## Damper (Right) Pedal

When this pedal is pressed, the sound is sustained, even when the keys are released. When this is used with one of the Grand Piano Voices, a special resonance effect is added, which effectively reproduces the rich, resonant sound of the frame and soundboard of a real acoustic piano. The depth of this resonance effect can be set in the Function parameters (page 51).



When you press the damper pedal here, the notes you play before you release the pedal have a longer sustain.

### Half-pedal function

This instrument also has a Half-pedal function which allows you to use half-damper techniques, in which the damper is pressed somewhere between all the way down and all the way up. In this half-damper state (on a real piano), the damper felts only partially mute the strings. The Half-pedal function on the Clavinova lets you delicately and expressively control the damper muting, and create subtle nuances in your performance. It also lets you finely control the point at which pressure on the pedal affects the damper muting. (See the Function mode parameters on page 51.)

### GP Responsive Damper Pedal

470 440 430 **S408** S406 465GP

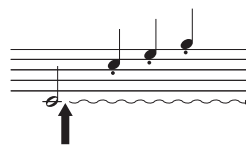
This special pedal (only on the CLP-470/S408) has been designed to provide enhanced tactile response and, when pressed, is much closer in feel to the pedal of an actual grand piano. It makes it easier to physically experience the half-pedal point and more easily apply the half-pedal effect than other pedals. Since the pressing sensation may vary depending on the situation, including the location where the instrument is installed, you may want to adjust the half-pedal point to the desired setting (page 51).

### NOTE

The pedals are covered with vinyl covers when shipped from the factory. If your instrument features the GP Responsive Damper Pedal, remove the cover from the damper pedal for optimum use of the pedal effect.

## Sostenuto (Center) Pedal

If you play a note or chord on the keyboard and press the sostenuto pedal while holding the note(s), the notes will sustain as long as the pedal is held. Organ, string and choir Voices will continue to sound for as long as the sostenuto pedal is depressed. All subsequent notes will not sustain.



When you press the sostenuto pedal here while holding the note, the note will sustain as long as you hold the pedal.

### NOTE

The center and left pedals can also be assigned to song start/pause operation ([PLAY/PAUSE] function) in the Function mode (page 51).

## Soft (Left) Pedal

The soft pedal reduces the volume and slightly changes the timbre of notes played while the pedal is pressed. The soft pedal will not affect notes that are already playing or sustaining when it is pressed. Press the pedal immediately before you play the target notes.

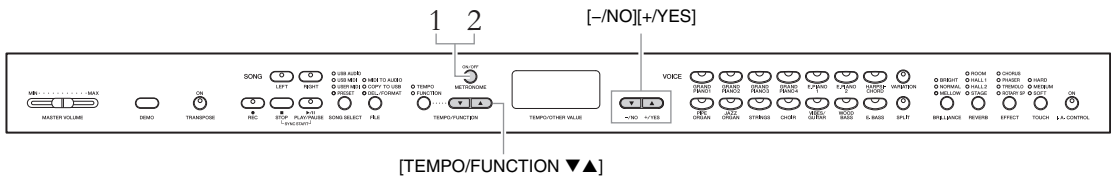
### NOTE

When you select the Jazz Organ Voice, the ROTARY SP of the [EFFECT] section (page 25) is automatically selected and the Left pedal functions to switch the rotary speed of the rotary speaker.



# Using the metronome — [METRONOME]

This instrument features a built-in metronome (a device that keeps an accurate tempo) that is convenient for practicing.



## 1. Start the metronome.

The metronome sound is turned on by pressing the [METRONOME] button.



The beat indicator flashes at the current tempo.

### Adjusting the tempo

Press the [TEMPO/FUNCTION] button (the indicator lights). The tempo of the metronome can be set from 5 to 500 beats per minute by using the [TEMPO/FUNCTION ▼▲] buttons.

The default setting (120) can be recalled by pressing both the [▼] and [▲] buttons simultaneously.

### Adjusting the time signature

The time signature (beat) of the metronome can be set by simultaneously holding down the [METRONOME] button and using the [-/NO][+/YES] buttons. You can set the beat from 0 to 15. The current setting appears on the display while the [METRONOME] button is held.



Beat

The first beat is accented with a bell sound and the rest with clicks. When the time signature is set to “0,” clicks sound on all beats.

The default setting (0) can be recalled by pressing the [-/NO] and [+/YES] buttons together while holding down the [METRONOME] button.

#### NOTE

The volume of the metronome can be adjusted in the Function mode (page 51).

#### NOTE

The default settings of tempo and time signature for MIDI Songs differ depending on the Songs. When you select a MIDI Song, the setting here will be canceled and the original tempo and the time signature for the selected Song will be called up.

## 2. Stop the metronome.

Turn off the metronome by pressing the [METRONOME] button.



## Maintenance

To keep your Clavinova in optimum condition, we recommend that you periodically follow the maintenance points below.

### Instrument and Bench Maintenance

- When cleaning the instrument, use a soft, dry or slightly damp cloth.

#### **NOTICE**

Do not use paint thinners, solvents, cleaning fluids, or chemical-impregnated wiping cloths.

If you are using a model with a polished finish, gently remove dust and dirt with a soft cloth. Do not wipe too hard since small particles of dirt can scratch the instrument's finish.

To keep the surface polished, apply commercially available piano polisher to a soft cloth and wipe the instrument's surface with it. Then, polish it with a separate cloth. Before using any piano polisher, make sure to read the instructions for proper usage.

- Tighten the screws of the instrument and bench periodically.

### Pedal Cleaning

As with an acoustic piano, pedals may become tarnished over years of use. When this occurs, polish the pedal with a compound designed for piano pedals. Before using the compound, make sure to read the instructions for proper usage.

### Tuning

Unlike an acoustic piano, the instrument does not need to be tuned. It always stays perfectly in tune.

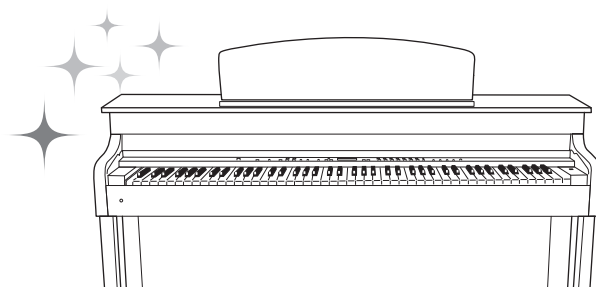
### Transporting

You can transport the instrument along with other belongings. You can move the unit as it is (assembled) or you can disassemble the unit down to the condition it was in when you first took it out of the box. Transport the keyboard horizontally. Do not lean it up against a wall or stand it up on its side. Do not subject the instrument to excessive vibration or shock.

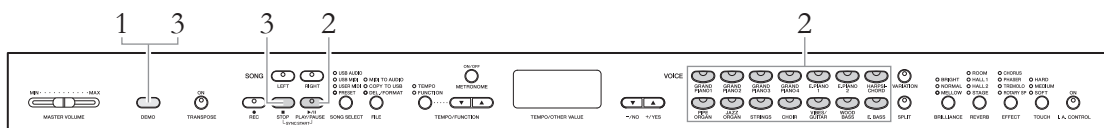
When transporting the assembled instrument, make sure all screws are properly tightened and have not been loosened by moving the instrument.

#### **NOTICE**

(CLP-S408/S406) When transporting the instrument, cover the entire keyboard with the protective sheet (pages 76, 80) before closing the key cover. The sheet will protect the keyboard from being scratched.







# 1. Press the [DEMO] button to call up the Demo mode.

The Voice button indicators will flash in sequence.

# 2. Select a Songs and start playback.

Press one of the Voice buttons to start playback of all Songs starting from the corresponding Voice Demo Song — featuring the Voice normally selected by that Voice button. If you wait for a short while without pressing any buttons, the GRAND PIANO 1 Demo Song will begin playback.

# 3. Stop the Voice demo and exit from the Demo mode.

Press the [DEMO] or [STOP] button.

To temporarily stop a Demo Song while playing it, press the [PLAY/PAUSE] button.

### Mode:

A mode is a status under which you can execute a certain function. In the Demo mode, you can play back demonstration Songs.

### NOTE

The Demo mode cannot be called up during Song recording (page 34) or file operations (page 40).

### NOTE

MIDI reception is not possible in the Demo mode. Demo Song data is not transmitted via the MIDI terminals.

### NOTE

The tempo of Demo Songs cannot be adjusted. Also, the Part Cancel function (page 32) and the A-B Repeat function (page 33) are not available in Demo mode.

### NOTE

For explanation about the each sampling and details about the Voices to which the sampling can be applied, refer to Preset Voice List on page 64. Refer to page 51 to specify the depth of the sampling effect on the Voices.

## Listening to the Piano Demos (sampling technologies)

470 440 430 S408 S406 465GP

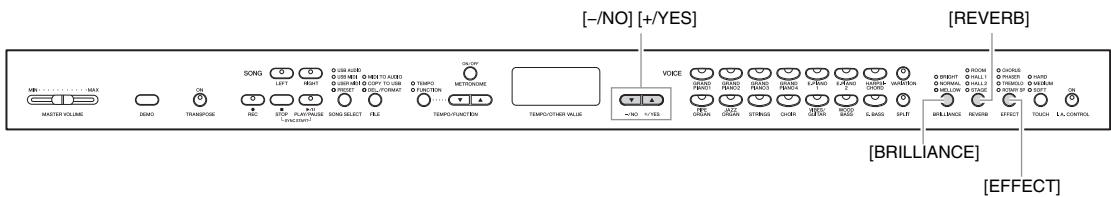
You can play Piano Demos which showcase the sophisticated piano Voice sampling technologies.

After you press the [DEMO] button, press the [VARIATION] button. Next, press the Voice button assigned to the particular Piano Demo (see below) you wish to hear. The Demo Songs are assigned to the Voice buttons as follows.

Piano Demo (Sampling technology)		Voice button
Stereo Sampling		GRAND PIANO1
Mono Sampling		GRAND PIANO2
Sustain Sampling	With	GRAND PIANO3
	Without	GRAND PIANO4
Key-off Sampling	With	E.PIANO1
	Without	E.PIANO2
String Resonance	With	HARPSICHORD
	Without	PIPE ORGAN

To stop playback, press the [DEMO] or [STOP] button.

# Enhancing and customizing the sound — [BRILLIANCE]/[REVERB]/[EFFECT]



## [BRILLIANCE]

This control can be used to change the tonality or “timbre” of the sound output. Press the [BRILLIANCE] button a few times until the indicator corresponding to the desired type lights. When two adjacent indicators are lit, the type that is between the two indicated types is selected. For example, when both NORMAL and MELLOW are lit, the brilliance setting between NORMAL and MELLOW is selected. This parameter affects the entire sound of the instrument.

**BRIGHT** ..... Bright tone

**NORMAL** ..... Standard tone

**MELLOW** ..... Soft and mellow tone

## [REVERB]

This control enables you to select various digital reverb effects that would add extra depth and expression to the sound and create a realistic acoustic ambience. Press the [REVERB] button a few times until the indicator corresponding to the desired type lights. No effect is produced when all indicators are off. You can also adjust the reverb depth (see below).

**Off** ..... When no reverb effect is selected, no REVERB indicator is lit.

The GRAND PIANO1 – GRAND PIANO4 Voices feature an acoustic-piano-like soundboard resonance effect, even when the Reverb is off.

**ROOM** ..... This setting adds a continuous reverb effect to the sound, similar to the acoustic reverberation you would hear in a room.

**HALL 1** ..... For a “bigger” reverb sound, use the HALL 1 setting. This effect simulates the natural reverberation of a small-size concert hall.

**HALL 2** ..... For a truly spacious reverb sound, use the HALL 2 setting. This effect simulates the natural reverberation of a large concert hall.

**STAGE** ..... Simulates the reverb of a stage environment.

## Adjusting Reverb Depth

The reverb depth for the selected Voice can be adjusted by simultaneously holding down the [REVERB] button and pressing the [-/NO] or [+ /YES] button. The depth range is from 0 through 20. The current depth setting appears on the display while the [REVERB] button is held.

The default setting can be recalled by simultaneously holding down the [REVERB] button and pressing the [-/NO] [+ /YES] buttons together.

**Default setting:** NORMAL

### NOTE

When the BRILLIANCE is set to BRIGHT, the overall sound will be slightly louder. If the MASTER VOLUME is set at a high level the sound may become distorted. If so, lower the MASTER VOLUME level.

**Default setting:**

The default reverb type (including Off) and depth settings are different for each Voice.

**Setting range:** 0 (no effect) – 20 (maximum reverb depth)

## [EFFECT]

The button allows you to select an effect to enhance the sound and give it greater depth and animation.

Press the [EFFECT] button a few times until the indicator corresponding to the desired type lights. No effect is produced when all indicators are off. You can also adjust the effect depth (see below).

**Off** ..... When no effect is selected, no EFFECT indicator is lit.

**CHORUS** ..... A shimmering, broadening effect

**PHASER** ..... Adds a sweeping effect to the sound.

**TREMOLO** ..... Tremolo effect

**ROTARY SP** ..... Adds the vibrato effect of a rotary speaker.

## Adjusting Effect Depth

The effect depth for the selected Voice can be adjusted by simultaneously holding down the [EFFECT] button and pressing the [-/NO] or [+ /YES] button. The depth range is from 0 through 20. The current depth setting appears on the display while the [EFFECT] button is held.

The default setting can be recalled by simultaneously holding down the [EFFECT] button and pressing the [-/NO] [+ /YES] buttons together.

### Default setting:

The default effect type (including Off) and depth settings are different for each Voice.

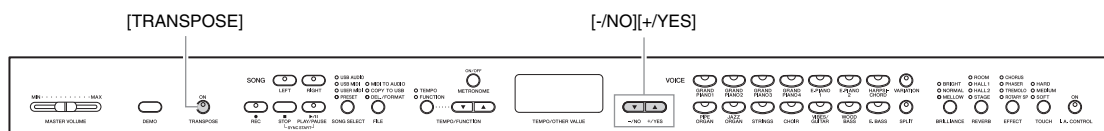
### NOTE

When you select ROTARY SP, pressing and releasing the left pedal switches between fast/slow rotation of the rotary speaker.

**Setting range:** 0 (no effect) – 20 (maximum effect depth)

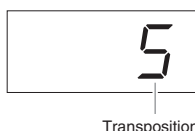
## Transposition — [TRANSPOSE]

You can transpose the pitch of the instrument—both that of your keyboard performance and that of Song playback—to match the pitch of another instrument or vocalist, without having to actually change keys on the keyboard. Transposition can be set in semitone units. For example, if you set the transposition amount to “5,” playing key C produces pitch F. In this way, you can play the song as if it were in C major, and the Clavinova will transpose it to the key of F.



## Setting the transposition amount

The transposition amount can be set in semitone intervals by pressing the [-/NO] [+ /YES] button while holding down the [TRANSPOSE] button. The default setting (0) can be recalled by pressing the [-/NO] and [+ /YES] buttons together while holding down the [TRANSPOSE] button.



**Transpose:** Change the key signature of a song. On the Clavinova, transposing shifts the pitch of the entire keyboard.

**Setting range:** -12 semitones (down one octave) – 12 semitones (up one octave)

**Default setting:** 0 (normal pitch)

## Turning transpose on or off

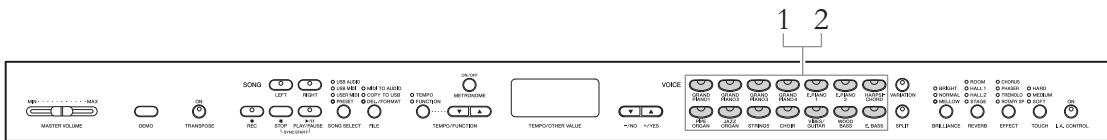
Each time you press the [TRANPOSE] button, transpose turns on or off. When the lamp is flashing, the function is on. When it is off or the transposition amount is 0, the lamp does not flash.

### NOTE

Audio Song playback cannot be transposed.

## Layering two Voices (Dual mode)

This function lets you layer and play two different Voices at the same time. You can layer Voices of two different categories or two different Voices in the same category, and create a composite Voice of greater richness and texture.



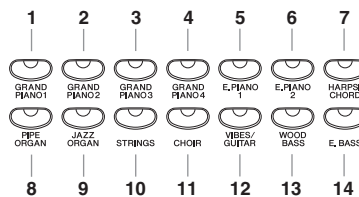
### 1. Call up the Dual mode.

Press two Voice buttons at the same time. The Voice indicators of both selected Voices will light when the Dual mode is active. Try playing the keyboard and listen to the resulting sound.

#### Voice 1/ Voice 2

According to the Voice numbering priority shown on the right, the lower value Voice number will be designated as Voice 1, and the other Voice as Voice 2.

Voice numbering priority



The Function mode provides access to a number of other Dual mode functions, such as volume balance setting or octave setting (page 51).

### 2. Exit the Dual mode and return to normal play mode.

To return to the normal single-Voice play mode, press any single Voice button.

### NOTE

#### (CLP-470/440/S408/S406)

Dual and Split (page 27) modes cannot be called up at the same time.

#### (CLP-470/440/S408/S406)

#### [VARIATION] in Dual Mode

The [VARIATION] button's indicator will light if the variation is engaged for either or both of the Dual mode Voices. While Dual mode is called up, the [VARIATION] button can be used to turn the variation for both Voices on or off. To turn the variation on or off for only one of the Voices, hold the Voice button for the other Voice and press the button of the Voice for which you want to change the variation.

#### [REVERB] in Dual Mode

An optimum reverb type for the combination of Voices is assigned automatically.

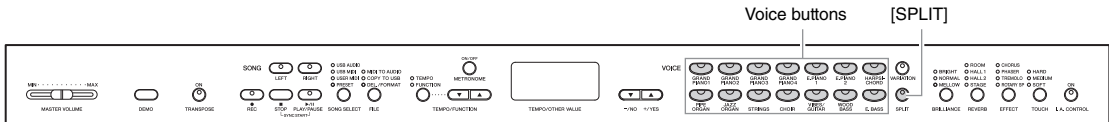
#### [EFFECT] in Dual Mode

Depending on the conditions, one effect type will take priority over the other. To change the effect depth, press the [-/NO] or [+ /YES] button while holding the [EFFECT] button. This will be applied to Voice 1 only. The depth can also be changed in the Function mode (page 51).

# Splitting the keyboard range and playing two different Voices (Split mode)

470 | 440 | 430 | S408 | S406 | 465GP

Split mode enables you to play two different Voices on the keyboard — one with the left hand and another with the right hand. For example, you can play a bass part using the Wood Bass or Electric Bass Voice with the left hand, and a melody with the right hand.



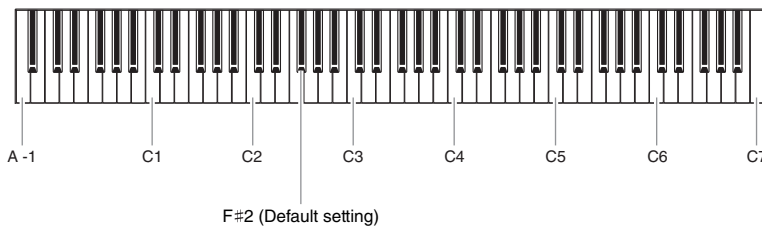
## 1. Call up the Split mode.

Press the [SPLIT] button so that its indicator lights. The default setting (WOOD BASS) will be selected for the left-hand Voice at first.

The Function mode (page 51) provides access to a number of other Split mode functions, such as the volume balance setting or octave setting.

## 2. Specify the split point (the border between the right-and left-hand range).

While simultaneously holding down the [SPLIT] button, press the key to which you want to assign the split point. Alternately, while simultaneously holding down the [SPLIT] button, press the [-/NO]/[+/YES] buttons the necessary number of times to change the split point.



### NOTE

Dual (page 26) and Split modes cannot be called up simultaneously.

### NOTE

A specified "split point" key is included in the left-hand range.

### NOTE

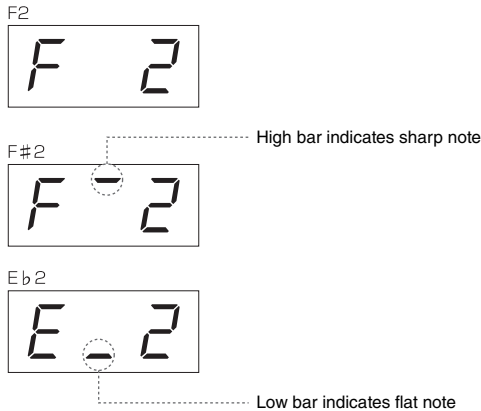
The split point can also be changed in the Function mode (page 51).

### NOTE

The default split point can be recalled by simultaneously holding down the [SPLIT] button and pressing both the [-/NO] and [+/YES] buttons together.

The name of the current split-point key appears on the display while the [SPLIT] button is held.

#### Example of split-point key display



### 3. Select a Voice for the right hand.

Press a Voice button.

To turn the variation on or off for the right-hand split Voice, press the [VARIATION] button or the currently selected Voice button.

### 4. Select a Voice for the left hand.

Press the corresponding Voice button while holding the [SPLIT] button.

(The indicator of the Left Voice button will light while the [SPLIT] button is pressed.)

To turn the variation on or off for the left-hand split Voice, hold the [SPLIT] button and press the [VARIATION] button or the currently selected Voice button.

Try playing the keyboard and listen to the resulting sound.

### 5. Exit Split mode and return to normal play mode.

Press the [SPLIT] button again so that its indicator goes out.

#### NOTE

##### [VARIATION] in Split Mode

Normally, the Voice indicator of the right Voice lights in Split mode. The [VARIATION] can be used to turn the variation for the right Voice on or off as required. While the [SPLIT] button is held, however, the Voice indicator of the left Voice lights. In this state the [VARIATION] button turns the variation for the left Voice on or off.

##### [REVERB] in Split Mode

An optimum reverb type for the split Voices is assigned automatically.

##### [EFFECT] in Split Mode

Depending on the conditions, one effect type will take priority over the other. To change the effect depth, press the [-/NO] or [+ /YES] button while holding the [EFFECT] button. This will be applied to the right Voice only. The depth can also be changed in the Function mode (page 51).



# Playing back Songs

This instrument can play Preset Songs, User Songs (you recorded), or commercially available Songs. In addition to listening to these Songs, you can play the keyboard as the Song plays back. The Songs reside on internal memory and the external USB storage device connected to the [USB TO DEVICE] terminal.

## MIDI Songs and Audio Songs

There are two kinds of Songs that can be recorded and played back on this instrument: MIDI Songs and Audio Songs.

A MIDI Song is comprised of your keyboard performance information and is not a recording of the actual sound itself. The performance information refers to which keys are played, at what timing, and at what strength—just as in a musical score. Based on the recorded performance information, the tone generator (of the Clavinova, etc.) outputs the corresponding sound. A MIDI Song uses a small amount of data capacity in comparison to audio recording, and allows you to easily change the event like a Voice.

An Audio Song is a recording of the performed sound itself. This data is recorded in the same way as that used in recording cassette tapes, or with voice recorders, etc. This data can be played with a portable music player, etc., allowing you to easily let other people hear your performance.

### NOTE

For a general overview of MIDI and how you can effectively use it, refer to "MIDI Basics" (downloadable from the Yamaha website).

## Songs compatible with this instrument

Songs are contained in one of four different memory locations, called "Drives" on this instrument. The four lamps (PRESET / USER MIDI / USB MIDI / USB AUDIO) located above the [SONG SELECT] button show these drives.

Drive	Song Number	Song Type
PRESET	001–050	<b>Preset Song (MIDI)</b> 50 piano preset Songs in the instrument. These correspond to the scores in the book "50 greats for the Piano," included for your convenience and enjoyment.
USER MIDI	U.01– U.10	<b>User Songs in the instrument (MIDI)</b> MIDI Songs which have been recorded to the instrument by using the Record function (page 34). Up to 10 Songs (U.01– U.10) can be saved on this instrument.
	001–xxx	<b>External Songs in the instrument (MIDI)</b> MIDI Songs transferred from a computer (page 49). Up to 999 Songs (001– 999) can be transferred (saved) to this instrument.
USB MIDI	U.00–U.99	<b>User Songs in the USB storage device (MIDI)</b> MIDI Songs which have been recorded and stored to a USB storage device by using the Record function (page 34). Up to 100 Songs (U.00– U.99) can be played back.
	001–xxx	<b>External Songs in the USB storage device (MIDI)</b> Commercially available MIDI Songs or MIDI Songs which have been edited on a computer, etc. and saved to the USB storage device. Up to 999 Songs (001–999) can be played back.
USB AUDIO	A.00–A.99	<b>User Songs in the USB storage device (Audio)</b> These are audio Songs saved to the USB storage device by recording them with this instrument (page 34) or converting them from MIDI data (page 41). Up to 100 Songs (A.00– A.99) can be played back.
	001–xxx	<b>External Songs in the USB storage device (Audio)</b> Commercially available Songs, etc. saved to the USB storage device. Up to 999 Songs (001–999) can be played back.

### NOTE

Songs recorded by this instrument are called User Songs. Songs created in other ways than by this instrument are called External Songs. The USB storage device stores User Songs in USER FILES folder.

Song numbers; [xxx] indicates numerals.

## Song data formats that can be played

### • SMF (Standard MIDI File) Formats 0 and 1

The SMF format is one of the most common and widely compatible MIDI formats used for storing sequence data. There are two variations: Format 0 and Format 1. A large number of MIDI devices are compatible with SMF Format 0, and most commercially available MIDI sequence data is provided in SMF Format 0. MIDI Songs recorded in this instrument are saved as SMF Format 0.

### • ESEQ

This format is compatible with many of Yamaha's MIDI devices, including the Clavinova series instruments. This is a common format used with various Yamaha software. Among ESEQ files, Disklavier Piano Soft Songs can be played back on this instrument.

### • WAV format (.wav)

This is an audio file format commonly used by computers. This instrument can play 44.1kHz/16bit stereo WAV files. Audio Songs recorded on this instrument are saved in this format. The maximum amount of time for playing an Audio Song is 80-minutes.

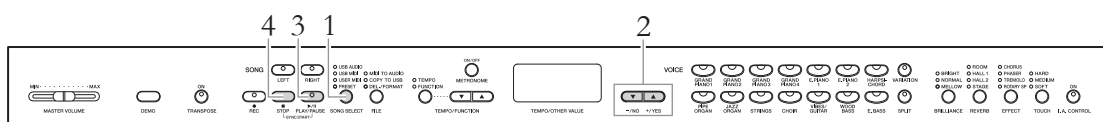
### NOTE

The MIDI Song can be played on this instrument is the size of up to about 550KB per single Song.

## Playing back Songs

This section explains how to play back Songs stored to the instrument and MIDI Songs/Audio Songs stored to a USB storage device. MIDI Songs or Audio Songs made as recordings of your performance (page 34) can also be played by the same method.

When you want to play a Song stored to a USB storage device, read the section “Connecting a USB storage device” (page 47) and connect the USB storage device to the [USB TO DEVICE] jack, then follow the procedure shown below.



### 1. Select a Song drive (memory location).

Press the [SONG SELECT] button repeatedly until the lamp indicating the desired drive lights (PRESET / USER MIDI / USB MIDI / USB AUDIO). USB MIDI and USB AUDIO can be selected only when a USB storage device is connected.

### 2. Select a Song.

Press the [-/NO], [+ /YES] buttons to select a Song number, “rnd” or “ALL”.

- **Song number**..... Plays back only the selected Song. For details, see the table on page 29.
- **rnd**..... Plays the Songs of the selected drive continuously in random order.
- **ALL** ..... Plays all the Songs of the selected drive continuously in sequence.

### NOTE

[SONG SELECT] button does not work in the following situations.

- Demo Song mode (page 22)
- Record mode (page 34)
- File mode (page 41)

### 3. Start playback.

Press the [PLAY/PAUSE] button to start playback.

After playback starts, the measure number (in the case of MIDI Songs) which is being played or playing time (in the case of Audio Songs) is shown on the display.



You can play the keyboard along with Song playback. You can also change the Voice for your keyboard performance.

#### Adjusting the tempo (MIDI Songs)

Press the [TEMPO/FUNCTION] button so that the TEMPO lamp lights, then use the [TEMPO/FUNCTION ▼ ▲] buttons. The original tempo of the current Song can be recalled by pressing the [▼] and [▲] buttons simultaneously.

#### Pause

Pressing the [PLAY/PAUSE] button will stop playback at the current position. Pressing the [PLAY/PAUSE] button again will start playback from that position.

#### Rewind/Fast forward

Pressing the [-/NO] or [+ /YES] button will move back or forth through the bars during playback or while playback is paused.

### 4. Stop playback.

Press the [STOP] button to stop playback.

If you select a Song number in step 2 above, the Song stops automatically when the Song is played back to the end.

#### NOTE

- The metronome can be used during playback. The metronome will automatically stop when playback is stopped.
- Audio Song playback volume can be adjusted in the Function mode (page 51).
- When selecting a Song turns off the both the [RIGHT] and [LEFT] lamps, the selected Song has no data and cannot be played back.
- When playing an audio Song, the number on the left represents minutes and the two numbers on right represent seconds. If playback lasts 10 minutes or longer, the tens digit is not shown (for example, 12 minutes would be shown as "2.00").

#### NOTE

When a different Song is selected via "rnd," "ALL" or manually, the original tempo for the selected Song will be called up.

#### NOTE

- When a different Song is selected via "rnd," "ALL" or manually, the appropriate Reverb and Effect types will be selected automatically.
- Song data is not transmitted via MIDI. However, channels 3 – 16 will be transmitted via MIDI when the Song channel selection is set to "1&2" in the Function mode (page 51).
- When playing back MIDI Songs containing Voices that are incompatible with this instrument (such as XG or GM Songs), the Voices may not sound as intended on the original. If such a case occurs, set the Song Play Channel (in Function; page 51) to 1&2. By muting the channels 3 to 16 via this setting, you may hear the original sound of the Song, as long as the piano sound is assigned to channels 1 and 2.
- If the Song cannot be selected or loaded, you may need to change the character code in the Function mode (page 51).



## 2. Start playback.

Press the [PLAY/PAUSE] button to start playback.  
Play and practice the part you just turned off while listening to the playback part as a guide.

## 3. Stop playback.

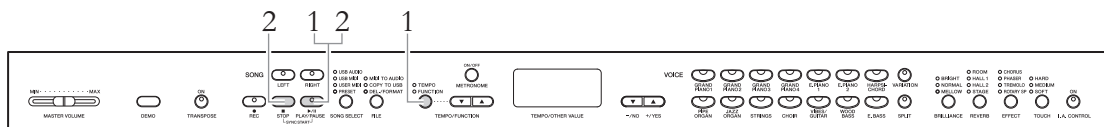
The Song position reaches the end, playback stops automatically and the Song position returns to the top. When you want to stop during playback, press either the [STOP] button or the [PLAY/PAUSE] button. If you press the [STOP] button, the play position returns to the top, but if you press the [PLAY/PAUSE] button, it stops temporarily at the current position.

### NOTE

- The parts can be turned on or off even during playback.
- Both parts are automatically turned on whenever a different MIDI Song is selected.

## A-B Repeat function (MIDI Songs)

You can play a MIDI Song repeatedly by designating a specific range within the Song. This is convenient for repeatedly practicing difficult phrases.



## 1. Start playback then specify the beginning (A) and end (B) of Repeat Playback.

Select a Song then start playback.

To specify the start (A) of the repeat range, hold down the [TEMPO/FUNCTION] button and press the [PLAY/PAUSE] button at the desired position of playback.

Hold down the [TEMPO/FUNCTION] button and press the [PLAY/PAUSE] button at the beginning (A) of the phrase you want to repeat.

**R -** will appear on the display and the A point will be set.

To specify the end (B) of the repeat range, hold down the [TEMPO/FUNCTION] button and press the [PLAY/PAUSE] again at the desired position of playback.

**R - b** will appear on the display and the B point will be set.

As soon as the B point is set, the Song position returns to the A point and Repeat Playback starts.

## 2. Stop playback.

Press the [STOP] button to stop playback. In this condition, press the [PLAY/PAUSE] button to start Repeat Playback between the A point and B point.

### Canceling the A and B points

Hold down the [TEMPO/FUNCTION] button and press the [PLAY/PAUSE] button again to cancel the A and B points. You can also cancel the points by selecting a different Song.

### NOTE

- To set the A point at the very beginning of the Song, hold down the [TEMPO/FUNCTION] button and press the [PLAY/PAUSE] button before starting playback.
- To set the B point at the end of the Song, wait until playback reaches to the end of the Song after setting the A point. This sets the B point to the end of the Song.

### NOTE

When playback reaches the B point, it returns to the A point automatically to repeat the phrase. The click sound is produced to help you to get the timing each time before the start of the A point.



## 2. Select a Song number for the data.

Select a Song number by using the [-/NO] [+ /YES] buttons.

- USER MIDI .....U.01-U.10
- USB MIDI .....U.00-U.99
- USB AUDIO .....A.00-A.99

### NOTICE

If the Song contains data, the part lamp(s) [RIGHT] and/or [LEFT] lights up in green when you select a Song. Note that recording new data on this part will erase the existing data.

## 3. Select the desired Voice and other parameters, such as time signature, for recording.

Select a Voice by pressing one of the Voice buttons. If necessary, set other parameters, such as time signature and effects, in this step.

## 4. Call up the Record mode.

Press the [REC] button to call up the Record mode.

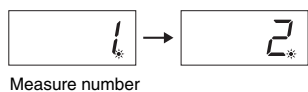
The [REC] and [RIGHT] lamps flash in red during MIDI recording while the [REC] and [RIGHT][LEFT] lamps flash in red during Audio recording. The [PLAY/PAUSE] lamp flashes according to the current tempo.

Record mode can be disengaged before recording by pressing either the [REC] or [STOP] button.

## 5. Start recording.

### With MIDI Recording:

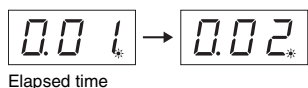
Recording will begin automatically as soon as you play a note on the keyboard. When you wish to record an empty section at the start of the Song, press the [PLAY/PAUSE] button to start recording. While recording, the current measure number is shown on the display.



### With Audio recording:

Press the [PLAY/PAUSE] button to start recording.

While recording, the elapsed time is shown on the display.



### Part button indications

**Off:** Contains no data

**On (green):** Contains data

**Flashing (red):** Part is enabled for recording

### NOTE

You can use the metronome while recording, although the metronome sound will not be recorded.

### NOTE

If the memory of the drive is running out, "Enp" will appear in the display after pressing the [REC] button. You can start recording, but the memory may become full during recording. We recommend that you first remove any unnecessary files (pages 37, 43) to ensure sufficient memory capacity.

### NOTE

When recording an audio Song, the number on the left represents minutes and the two numbers on right represent seconds. If recording 10 minutes or longer, the tens digit is not shown (for example, 12 minutes would be shown as "2.00").

### NOTE

With audio recording, the sound input from the AUXIN jack is also recorded.

## 6. Stop recording.

Press either the [STOP] or [REC] button to stop recording.

When recording is stopped, dashes appear in the display in succession to indicate that the recorded data is being saved. After the data is saved, “End” will appear on the display and the Song number will appear. Finally, the recorded part’s lamp will light in green to indicate that the current Song now contains data. (Record mode is disengaged automatically.)

### **NOTICE**

Do not turn off the power of the instrument or disconnect the USB storage device, when dashes appear in the display in succession. Doing so may delete all Song data in the instrument, including external Songs (page 29).

## 7. Playing back the recorded performance.

Press the [PLAY/PAUSE] button to play back the recorded performance.

To stop playback, press the [STOP] button.

# Recording specific parts of a Performance (MIDI recording)

MIDI recording allows you to record the right and left parts separately.

## 1. Make all the initial settings.

Refer to steps 1 to 3 in “Quickly recording a performance without specifying a part” (page 34).

If there is a part that has already been recorded, you can record the other part while playing this part. To stop playing of the part which is recorded, press the button for this part to turn off the green lamp.

### **NOTICE**

If the Song contains data, the part lamp lights up in green when you select a Song. Note that recording new data on this part will erase the existing data.

## 2. Call up the Record mode.

Press the [REC] button to call up the Record mode.

## 3. Select a recording part.

Press the [RIGHT] or [LEFT] button so that the lamp of the recording part flashes in red.

Record mode can be disengaged before recording by pressing either the [REC] or [STOP] button.

## 4. Start recording.

Recording will begin automatically as soon as you play a note on the keyboard. When you wish to record an empty section at the start of the Song, press the [PLAY/PAUSE] button to start recording.

### **Part button indications**

**Off:** Contains no data

**On (green):** Contains data

**Flashing (red):** Part is enabled for recording

### **NOTE**

If the memory of the drive is running out, “Enp” will appear in the display after pressing the [REC] button. You can start recording, but the memory may become full during recording. We recommend that you first remove any unnecessary files (pages 37, 43) to ensure sufficient memory capacity.



## 5. Stop recording.

Press either the [STOP] or [REC] button to stop recording.

When recording is stopped, dashes appear in the display in succession to indicate that the recorded data is being saved. After the data is saved, “End” will appear on the display and the Song number will appear. Finally, the recorded part’s lamp will light in green to indicate that the current Song now contains data. (Record mode is disengaged automatically.)

### **NOTICE**

Do not turn off the power of the instrument when dashes appear in the display in succession. Doing so may delete all Song data in the instrument, including external Songs (page 29).

## 6. Play back the recorded performance.

Press the [PLAY/PAUSE] button to play back the recorded performance. To stop playback, press the [STOP] button.

Record another part in the same way and complete your Song.

## Deleting recorded performance data (MIDI recording)

This section explains how to delete the right and left parts of a User Song separately. If you wish to delete both parts, do the following operation on each part. As for Song data saved to a USB storage device, both parts can be deleted at once by following the instructions on page 43.

### 1. Select a User Song to delete.

Refer to steps 1 to 2 in “Quickly recording a performance without specifying a part” (page 34).

### 2. Call up the Record mode.

Press the [REC] button to call up the Record mode.

### 3. Select a part to delete.

Press the [RIGHT] or [LEFT] button so that the lamp of the part you wish to delete flashes in red.

### 4. Delete the selected part.

Press the [PLAY/PAUSE] button to start recording, then press the [STOP] button without playing the keyboard. All data previously recorded for the selected part will be deleted and the lamp will be turned off.

Delete another part in the same way as desired.

### **NOTE**

If you wish to delete an audio Song recorded to a USB storage device, refer to page 43.

### **NOTE**

Deleting both parts restores the metronome beat and tempo to the default setting. If you wish to re-record after deleting both parts, you need to reset the beat and tempo.

# Changing the initial settings such as Voice and Tempo after recording (MIDI recording)

With MIDI recording, you can change the setting of the performance data, even after recording. For example, you can change the Voice to create a different ambience or adjust the Song tempo to your preferences.

## Types of data recorded by MIDI recording

With MIDI recording, the following types of data are recorded. Data marked with a “\*” in the following list can be changed after recording.

### Individual Parts

- |  |   |
|--|---|
| <ul style="list-style-type: none"><li>• Notes played</li><li>• Voice selection*</li><li>• Pedal (Damper/Soft/Sostenuto)</li><li>• [REVERB] depth*</li><li>• [EFFECT] depth*</li><li>• Dual mode Voices*</li><li>• Dual balance*</li><li>• Dual detune*</li><li>• Dual octave shift</li></ul> | <p>(CLP-470/440/S408/S406)</p> <ul style="list-style-type: none"><li>• [VARIATION] On/Off*</li><li>• Split mode Voices*</li><li>• Split balance*</li><li>• Split octave shift</li></ul> |
|--|---|

### Entire Song

- |  |  |
|--|--|
| <ul style="list-style-type: none"><li>• Tempo*</li><li>• Time signature (beat)</li><li>• [REVERB] type (including Off)*</li><li>• [EFFECT] type (including Off)*</li><li>• Scale*</li><li>• Damper Resonance Depth*</li><li>• Soft Pedal Effect Depth*</li></ul> | <p>(CLP-470/440/S408/S406)</p> <ul style="list-style-type: none"><li>• String Resonance Depth*</li><li>• Sustain Sample Depth*</li><li>• Keyoff Sample Volume*</li></ul> |
|--|--|

## 1. Select a User Song.

Refer to steps 1 to 2 in “Quickly recording a performance without specifying a part” (page 34).

## 2. Change the settings via the panel buttons.

For example, if you wish to change the recorded Voice from E. PIANO1 to E. PIANO2, press the [E. PIANO2] button.

## 3. Call up the Record mode and select a part.

Press the [REC] button, then press the [RIGHT] or [LEFT] button. (Data shared by two parts can be changed via either part.) The lamp of the selected part flashes in red.

To cancel the changes and disengage Record mode, press the [REC] or [STOP] button.

### NOTICE

At this timing, be careful not to press the [PLAY/PAUSE] button or a key on the keyboard. Otherwise, recording will start then erase all previously-recorded data on the selected part.

#### 4. Save the changed settings.

Simultaneously hold down the [REC] button and press the [STOP] button. Dashes appear in the display in succession to indicate that the changed settings are being saved. After the data is saved, “End” will appear on the display and the Song number will appear. (Record mode is disengaged automatically.)

**NOTICE**

Do not turn off the power of the instrument when dashes appear in the display in succession. Doing so may delete all Song data in the instrument, including external Songs (page 29).

# Handling Song Files

In the File mode, you can perform various operations and manage Song files saved to a connected USB storage device.

Before connecting a USB storage device, refer to “Connecting a USB storage device” (page 47).

	Function	Page
MIDI TO AUDIO	<b>Converting a MIDI Song to an Audio Song</b> This converts a MIDI Song file in the instrument or USB storage device to an audio Song file. The audio Song is saved as WAV format to the “USER FILES” folder in the USB storage device, and the file is automatically named as “USERAUDIOxx.WAV” (xx: numerals).	41
COPY TO USB	<b>Copying a User Song from the instrument to a USB storage device</b> This copies the User Song in the instrument the USB Storage Device. The copied Song is saved as SMF format to the “USER FILES” folder in the USB storage device, and the file is automatically named as “USERSONGxx.MID” (xx: numerals).	42
DEL./FORMAT	<b>Deleting a Song in a USB storage device</b> This deletes Songs in the USB Storage Device one at a time.	43
	<b>Formatting the USB storage device</b> When a USB storage device is connected or media is inserted, “UnF” may appear in the display prompting you to format the device/media. If so, execute the Format operation.	44

## NOTE

Before handling Songs with a USB storage device, make sure that the device is not protected. If the device is protected, you cannot access it.

## NOTE

File mode cannot be called up in the following situations.

- Demo Song mode (page 22)
- During Song playback/pause (page 30)
- Record mode (page 34)

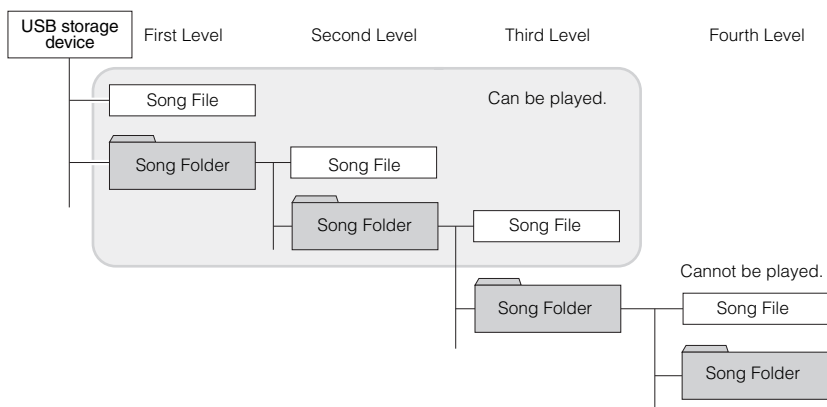
## NOTICE

Do not turn off the power of the instrument or disconnect the USB storage device during the File mode or when dashes appear in the display in succession. Doing so may corrupt the data on either or both devices.

## Song file management in a USB storage device

Songs recorded in this instrument are called “User Songs” while Songs created outside this instrument are called “External Songs.” In a USB storage device, User Songs are saved in the USER FILES folder. External Songs are saved outside the USER FILES folder. However, User Songs are regarded as External Songs if the folder name is changed or the files are moved to outside the USER FILES folder by using a computer.

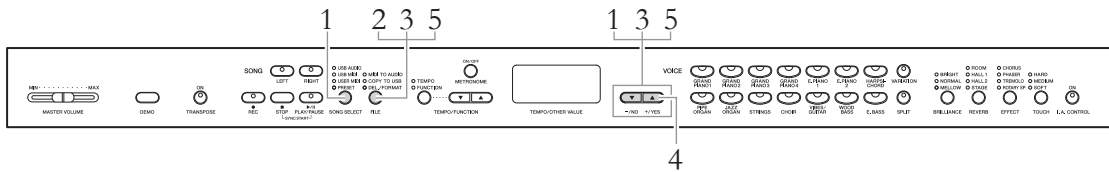
If you organize the Song files in a USB storage device by using computer, make sure to save the External Song files to the first, second or third level folder. Songs saved in a folder lower than the third level cannot be selected or played with this instrument.



## NOTE

Up to 999 files/folders can be stored in one folder.

# Convert a MIDI Song to an Audio Song during playback



## 1. Select a MIDI Song.

Press the [SONG SELECT] button so that the USER MIDI or USB MIDI lamp lights, then use the [-/NO]/[+ /YES] buttons to select the desired MIDI Song to be converted.

## 2. Call up the File mode.

Press the [FILE] button so that the MIDI TO AUDIO lamp lights.

## 3. Select an Audio Song number as destination after conversion.

Hold down the [FILE] button then use the [-/NO]/[+ /YES] buttons to select the Audio Song number (A.00 – A.99). When you select a Song number containing data, three dots (like “A.x.x”) are shown in the display. To overwrite the selected Song, go to step 4. To avoid overwriting, select another Song then go to step 4.

## 4. Execute conversion by playing back the MIDI Song.

If an empty Song is selected in step 3, release the [FILE] button then press the [+ /YES] button. If a Song containing data is selected in step 3, release the [FILE] button then press the [+ /YES] button twice. This operation starts playback and conversion from MIDI to audio. After starting playback (conversion), wait until playback ends. This is necessary because the MIDI Song is re-recorded in real time during playback to an Audio Song. When the conversion is completed, “End” will appear in the display. To cancel conversion, press the [-/NO] button in response to “n y” or “n ̄y”.

### During audio conversion

- The elapsed time is shown on the display.
- This operation is basically the same as that of Audio Song Recording, allowing you to record your keyboard performance and audio signals via the AUX IN jack (such as the microphone sound).
- To stop audio conversion, press the [STOP] or [-/NO] button. In this case, data converted until this operation is not saved.

#### NOTICE

During audio conversion, do not turn off the power of the instrument or disconnect the USB storage device.

## 5. Exit from the File mode.

Press the [-/NO] or [+ /YES] button then press the [FILE] button several times until its lamp is turned off.

#### NOTE

If the “\_ \_ \_” flashes indicating that the MIDI Song is not selected in step 1, press the [FILE] button several times until its lamp is turned off, then return to step 1 to select a MIDI Song.

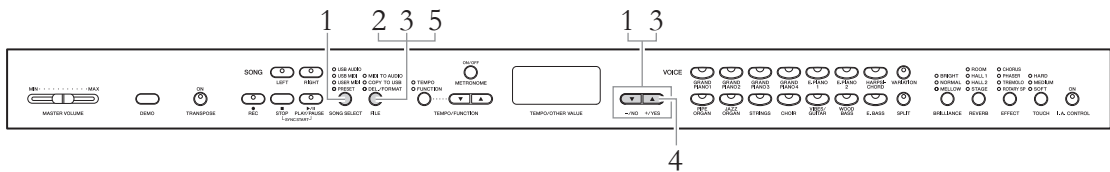
#### NOTE

Preset Songs and protected MIDI Songs cannot be converted to Audio Songs. If you try to convert such a Song, “Pro” appears in the display.

#### NOTE

When there is insufficient remaining capacity in the USB storage device, the converted Audio Song cannot be saved. To ensure sufficient memory for conversion, try erasing unnecessary files (page 43).

# Copying User Songs in the instrument to a USB storage device



## 1. Select a User Song.

Press the [SONG SELECT] button so that the USER MIDI lamp lights, then use the [-/NO]/[+ /YES] buttons to select the User Song to be copied.

## 2. Call up the File mode.

Press the [FILE] button so that the COPY TO USB lamp lights.

## 3. Select a User Song number as destination after copying.

Hold down the [FILE] button then use the [-/NO]/[+ /YES] buttons to select the User Song number (U.00 – U.99). When you select a Song number containing data, three dots (like “U.x.x”) are shown in the display. To overwrite the selected Song, go to step 4. To avoid overwriting, select another Song then go to step 4.

## 4. Copy the Song.

If an empty Song is selected in step 3, release the [FILE] button then press the [+ /YES] button. If a Song containing data is selected in step 3, release the [FILE] button then press the [+ /YES] button twice. This operation starts the Copy operation. When the Copy is completed, “End” will appear followed by “---” in the display.

To cancel the Copy operation, press the [-/NO] button in response to “n y” or “n y.”

### NOTICE

When dashes appear in the display in succession, do not turn off the power of the instrument or disconnect the USB storage device.

## 5. Exit from the File mode.

Press the [FILE] button several times until its lamp is turned off.

### NOTE

If the “\_ \_ \_” flashes indicating that the User Song is not selected in step 1, press the [FILE] button several times until its lamp is turned off, then return to step 1 to select a User Song.

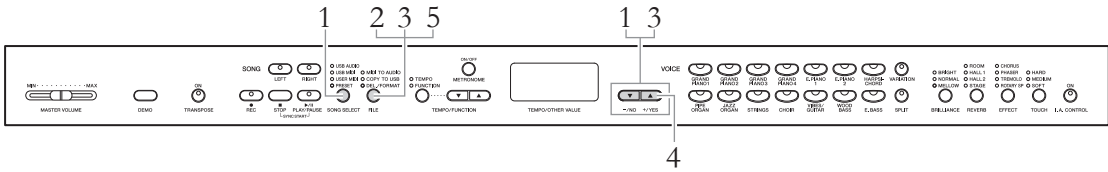
### NOTE

Preset Songs and protected MIDI Songs cannot be copied to the USB storage device. If you try to copy such a Song, “Pro” appears in the display.

### NOTE

When there is insufficient free memory capacity in the USB storage device, the copied Song cannot be saved. To ensure sufficient memory, try erasing unnecessary files (page 43).

# Deleting a Song file in the USB storage device



## 1. Select the drive which contains the Song file you wish to delete.

Press the [SONG SELECT] button several times to turn on the USB AUDIO or USB MIDI lamp.

## 2. Call up the File mode.

Press the [FILE] button so that the DEL./FORMAT lamp lights.

## 3. Select a Song file to be deleted.

Hold down the [FILE] button then use the [-/NO]/[+/YES] buttons to select the Song number. The display shows only the Song number that contains data. If there is no Song in the USB storage device, “\_ \_ \_” flashes on the display.

## 4. Delete the Song file.

Release the [FILE] button then press the [+ /YES] button twice. This operation starts the Delete operation. When Delete is completed, “End” will appear followed by “\_ \_ \_” in the display.

To cancel the Delete operation, press the [-/NO] button in response to “n y” or “n y.”

### NOTICE

When dashes appear in the display in succession, do not turn off the power of the instrument or disconnect the USB storage device.

## 5. Exit from the File mode.

Press the [FILE] button so that the lamp is turned off.

### NOTE

Confirm the Song to be deleted before going to step 2, since the Song cannot be played back in the File mode.

### NOTE

Protected Songs cannot be deleted. If you try to delete such a Song, “Pro” appears in the display.

### NOTE

When an external Song is deleted, Song numbers following this Song move up one position. When a User Song (A.xx/U.xx) is deleted, the deleted Song number is simply emptied of data without the Song number being changed.





# Connections

## Connectors

### CAUTION

Before connecting the Clavinova to other electronic components, turn off the power to all the components. Before turning the power on or off to all components, set all volume levels to minimum (0). Otherwise, electrical shock or damage to the components may result.

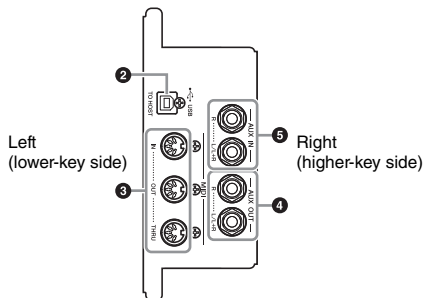
Refer to the “Panel Controls” (page 10) for the location of the connectors.

On the left of the control panel

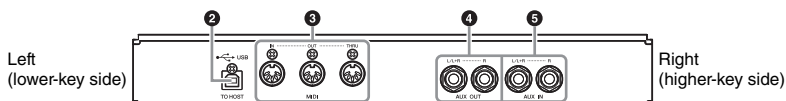


CLP-470/440/430/465GP  
(On the bottom of the instrument)

Front (keyboard side)



CLP-S408/S406 (On the front of the instrument)



### 1 [USB TO DEVICE] terminal

This terminal allows connection to USB storage devices. Refer to “Connecting a USB storage device” on page 47 for more information.

### 2 USB [TO HOST] terminal

This terminal allows direct connection to a computer. Refer to “Connecting to a computer” on page 48 for more information.

### 3 MIDI [IN] [OUT] [THRU] terminals

Use MIDI cables to connect external MIDI devices to these connectors. Refer to “Connecting external MIDI devices” on page 50 for more information.

### 4 AUX OUT [L/L+R][R] jacks

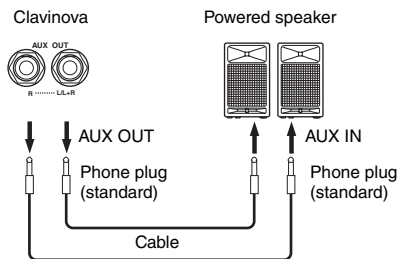
These jacks let you connect the Clavinova to external powered speaker systems, for playing in larger venues at higher volumes. The Clavinova’s [MASTER VOLUME] setting will affect the sound that is output from the AUX OUT jacks. When the Clavinova’s AUX OUT jacks are connected to an external speaker and you want to turn off the speaker sound of the Clavinova, switch the speaker OFF (page 17).

### NOTE

There are two different types of USB terminals on the instrument: [USB TO DEVICE] and USB [TO HOST]. Take care not to confuse the two terminals and the corresponding cable connectors. Be careful to connect the proper plug in the proper direction.

**NOTICE**

When the Clavinova's AUX OUT jacks are connected to an external audio system, first turn on the power to the Clavinova, then to the external audio system. Reverse this order when you turn the power off.



**NOTE**

Use cables and plugs with no resistance.

**NOTE**

Do not route the output from the [AUX OUT] jacks to the [AUX IN] jacks. If you make this connection, the signal input at the [AUX IN] jacks is output from the [AUX OUT] jacks. These connections could result in a feedback loop that will make normal performance impossible, and may even damage both pieces of equipment.

**NOTE**

If you want to take a mono signal via the AUX OUT jack, connect a cable to the [L/L+R] jack.

The sound condition output from the internal speakers and the headphones changes automatically to the appropriate settings depending on how the external device is connected to the AUX OUT jacks (see chart below).

**Sound output condition from the instrument**

Speakers sound  
 Speakers do not sound

	No plugs to connected to AUX OUT jacks			Plugs connected to AUX OUT jacks		
	SPEAKER: ON	SPEAKER: NORMAL	SPEAKER: OFF	SPEAKER: ON	SPEAKER: NORMAL	SPEAKER: OFF
Headphones connected	Optimum equalization for speakers applied*	Flat	Flat	Flat*	Flat	Flat
Headphones not connected	Optimum equalization for speakers applied	Optimum equalization for speakers applied	Flat	Flat*	Flat*	Flat

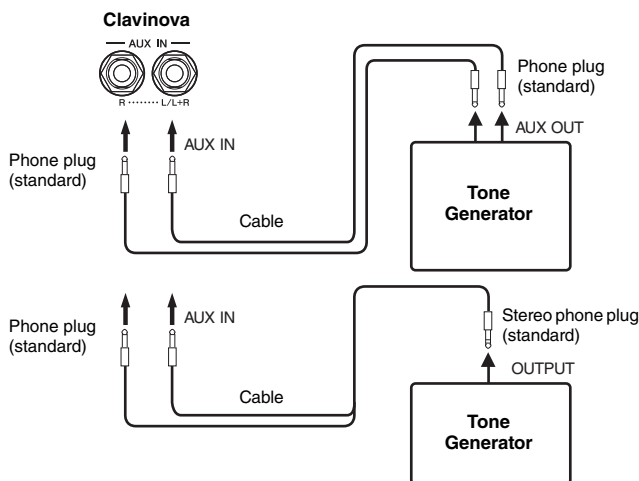
\* The output level of the headphones and AUX OUT is lowered.

**5 AUX IN [L/L+R][R] jacks**

The stereo outputs from another instrument can be connected to these jacks, allowing the sound of an external instrument to be reproduced via the Clavinova's speakers. Refer to the diagram below and use audio cables to make the connections.

**NOTICE**

When the Clavinova's AUX IN jacks are connected to an external device, first turn on the power to the external device, then to the Clavinova. Reverse this order when you turn the power off.



**NOTE**

The Clavinova's [MASTER VOLUME] slider setting affects the input signal from the AUX IN jacks, but the [BRILLIANCE], [REVERB], and [EFFECT] settings do not.

**NOTE**

If you connect the Clavinova to a monaural device, use only the AUX IN [L/L+R] jack.

# Connecting a USB storage device

By connecting a USB storage device to the instrument's [USB TO DEVICE] terminal, you can save the data you've recorded to the device, as well as play back data in the device.

## Precautions when using the [USB TO DEVICE] terminal

This instrument features a built-in [USB TO DEVICE] terminal. When connecting a USB device to the terminal, be sure to handle the USB device with care. Follow the important precautions below.

### NOTE

For more information about the handling of USB devices, refer to the owner's manual of the USB device.

### ■ Compatible USB devices

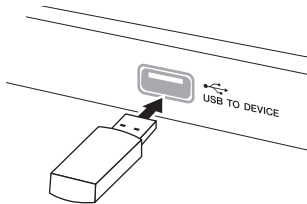
USB storage devices (flash memory, hard disk drive, etc.)  
The instrument does not necessarily support all commercially available USB devices. Yamaha cannot guarantee operation of USB devices that you purchase. Before purchasing a USB device for use with this instrument, please visit the following web page:  
<http://music.yamaha.com/download/>

### NOTE

Other USB devices such as a computer keyboard or mouse cannot be used.

### ■ Connecting USB device

When connecting a USB device to the [USB TO DEVICE] terminal, make sure that the connector on the device is appropriate and that it is connected in the proper direction.



### NOTICE

- When connecting a USB device to the [USB TO DEVICE] terminal on the top panel, remove it before closing the key cover. If the key cover is closed with the USB device connected, the USB device may be damaged.
- When connecting a USB cable, use a cable no longer than 3 meters.
- Though the instrument supports the USB 1.1 standard, you can connect and use a USB 2.0 storage device with the instrument. However, note that the transfer speed is that of USB 1.1.

## Using USB Storage Devices

By connecting the instrument to a USB storage device, you can save data you've created to the connected device, as well as read data from the connected device.

### ■ The number of USB storage device to be used

Only one USB storage device can be connected to the [USB TO DEVICE] terminal.

### ■ Formatting USB storage media

When a USB storage device is connected or media is inserted, a message may appear prompting you to format the device/media. If so, execute the Format operation (page 44).

### NOTICE

The format operation overwrites any previously existing data. Make sure that the media you are formatting does not contain important data.

### ■ To protect your data (write-protect)

To prevent important data from being inadvertently erased, apply the write-protect provided with each storage device or media. If you are saving data to the USB storage device, make sure to disable write-protect.

### ■ Connecting/removing USB storage device

Before removing the media from the device, make sure that the instrument is not accessing data (such as in the Save, Copy, Delete and Format operations).

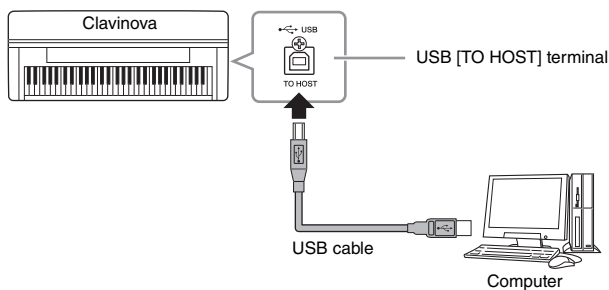
### NOTICE

Avoid frequently turning the power on/off to the USB storage device, or connecting/disconnecting the device too often. Doing so may result in the operation of the instrument "freezing" or hanging up. While the instrument is accessing data (such as during Save, Copy, Delete, and Format operations) or is mounting the USB storage device (shortly after the connection), do NOT unplug the USB connector, do NOT remove the media from the device, and do NOT turn the power off to either device. Doing so may corrupt the data on either or both devices.

## Connecting to a computer

By connecting a computer to the USB [TO HOST] terminal, you can transfer data between the instrument and the computer via MIDI, and take advantage of sophisticated computer music software.

1. **Turn off the power of the instrument before connecting a USB cable.**
2. **Turn on the power of the computer.**  
Quit any open application software on the computer.
3. **Connect the instrument and the computer via a USB cable.**



4. **Turn on the power of the instrument.**

When you connect the instrument to a computer for the first time, the driver is installed automatically.

### Operating System (OS)

Windows XP (SP3 or later), Windows Vista, Windows 7, Mac OS X Version 10.5–10.6.x

When data communication is unstable or some problem occurs even though you've executed the above instructions, download the Yamaha Standard USB-MIDI driver from the following URL then install it to your computer. For instructions on installation, refer to the Install Guide included in the package file.

<http://music.yamaha.com/download/>

For details about OS for Yamaha Standard USB-MIDI driver, visit the URL above.

### NOTE

- You can also use the MIDI IN/OUT terminals to connect to a computer. In this case, a MIDI interface (such as the Yamaha UX16) is needed. For more information, refer to the owner's manual of the MIDI interface.
- When a computer is connected to the USB [TO HOST] terminal, the MIDI IN/OUT terminals cannot be used.
- For information on setting up your sequence software, refer to the owner's manual of the relevant software.

### Precautions when using the USB [TO HOST] terminal

When connecting the computer to the USB [TO HOST] terminal, make sure to observe the following points. Failing to do so risks freezing the computer and corrupting or losing the data. If the computer or the instrument freezes, restart the application software or the computer OS, or turn the power to the instrument off then on again.

#### NOTICE

- Use an AB type USB cable of less than 3 meters. USB 3.0 cables cannot be used.
- Before connecting the computer to the USB [TO HOST] terminal, exit from any power-saving mode of the computer (such as suspend, sleep, standby).
- Before turning on the power to the instrument, connect the computer to the USB [TO HOST] terminal.
- Execute the following before turning the power to the instrument on/off or plugging/unplugging the USB cable to/from the USB [TO HOST] terminal.
  - Quit any open application software on the computer.
  - Make sure that data is not being transmitted from the instrument. (Data is transmitted only by playing notes on the keyboard or playing back a song.)
- While the computer is connected to the instrument, you should wait for six seconds or more between these operations: (1) when turning the power of the instrument off then on again, or (2) when alternately connecting/disconnecting the USB cable.

### Loading MIDI Song data from a computer to the instrument

You can transfer MIDI Song data from a computer to the instrument by using the Yamaha software Musicsoft Downloader. For more information on transferring data, refer to “Transferring Data Between the Computer and Instrument (for unprotected data)” in the Help file that came with Musicsoft Downloader.

#### Requirements for Song data that can be loaded from a computer to this instrument

- Data format: SMF Format 0 and 1
- Maximum data size: approx. 1.5 MB in total

Musicsoft Downloader is a free download from the Yamaha website at the following URL. To be able to use this function, you must first download Musicsoft Downloader from the website.

<http://music.yamaha.com/download/>

#### NOTE

If the data contains any data that is incompatible with this instrument, it cannot be played back as it was intended, even when the data is SMF format 0 or format 1.

## Connecting external MIDI devices

Use the MIDI terminals and standard MIDI cables to connect external MIDI devices (keyboard, sequencer, etc.). Using MIDI, you can control a connected MIDI device from this instrument, or control the instrument from a connected MIDI device or computer.

### CAUTION

Before connecting the instrument to other electronic components, turn off the power of all the components. Also, before turning any components on or off, make sure to set all volume levels to minimum (0). Otherwise, electrical shock or damage to the components may occur.

#### • MIDI [IN]

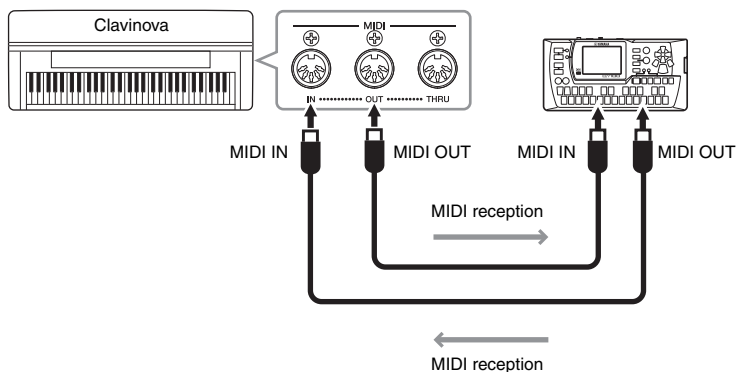
Receives MIDI messages from another MIDI device.

#### • MIDI [OUT]

Transmits MIDI messages generated by the instrument to another MIDI device.

#### • MIDI [THRU]

Simply relays the MIDI messages received at MIDI IN.



### NOTE

- For a general overview of MIDI and how you can effectively use it, refer to "MIDI Basics" (downloadable from the Yamaha website).
- Since MIDI data that can be transmitted or received varies depending on the type of MIDI device, check the "MIDI Implementation Chart" to find out what MIDI data and commands your devices can transmit or receive. Refer to the MIDI Implementation Chart in the Data Format on the Yamaha website.

## Detailed Settings

# Function Parameters — Various Convenient Settings

To get the most out of your Clavinova, set some of the various convenient parameters here, such as fine tuning the pitch, adjusting the metronome volume, etc. For the default values, see page 67.

### Function Parameter List

Function		Function Number		Reference page
		CLP-470/440/S408/S406	CLP-430/465GP	
Fine Tuning of the Pitch		F1.	F1.	53
Selecting a Scale	Scale	F2.1	F2.1	53
	Base Note	F2.2	F2.2	53
Dual Mode Functions	Dual Balance	F3.1	F3.1	54
	Dual Detune	F3.2	F3.2	54
	Voice 1 Octave Shift	F3.3	F3.3	54
	Voice 2 Octave Shift	F3.4	F3.4	54
	Voice 1 Effect Depth	F3.5	F3.5	54
	Voice 2 Effect Depth	F3.6	F3.6	54
	Reset	F3.7	F3.7	54
Split Mode Functions	Split Point	F4.1	—	55
	Split Balance	F4.2	—	55
	Right Voice Octave Shift	F4.3	—	55
	Left Voice Octave Shift	F4.4	—	55
	Right Voice Effect Depth	F4.5	—	55
	Left Voice Effect Depth	F4.6	—	55
	Damper Pedal Range	F4.7	—	55
	Reset	F4.8	—	55
Pedal Settings and Acoustic Processing	Pedal [PLAY/PAUSE] function	F5.1	F4.1	56
	Half Pedal Point	F5.2	F4.2	56
	Damper Resonance Depth	F5.3	F4.3	56
	Soft Pedal Effect Depth	F5.4	F4.4	56
	String Resonance Depth	F5.5	—	56
	Sustain Sample Depth	F5.6	—	56
	Keyoff Sample Volume	F5.7	—	56
MIDI Song Channel		F5.8	F4.5	56
Volume Setting	Metronome Volume	F6.1	F5.1	57
	Audio Song Playback Volume	F6.2	F5.2	57
MIDI Functions	MIDI Transmit Channel	F7.1	F6.1	57
	MIDI Receive Channel	F7.2	F6.2	57
	Local Control ON/OFF	F7.3	F6.3	57
	Program Change ON/OFF	F7.4	F6.4	58
	Control Change ON/OFF	F7.5	F6.5	58
	Initial Setup Send	F7.6	F6.6	58





# Function parameters — details

## Fine tuning of the pitch

**F1**

You can fine tune the pitch of the entire instrument. This function is useful when you play the Clavinova along with other instruments or CD music.

### NOTE

The Audio Song playback sound cannot be tuned.

Use the [-/NO] and [+ /YES] buttons to lower or raise the pitch of the A3 key in approximately 0.2 Hz increments. The value appears as a two-digit number and one decimal place.

Ex. 440.2Hz is shown as **40.2** on the display.

**Setting range:** 427.0 – 453.0 (Hz)

**Default setting:** 440.0 (Hz)

### Hz (Hertz):

This unit of measurement refers to the frequency of a sound and represents the number of times a sound wave vibrates in a second.

## Selecting a Scale

You can select various scales. Equal Temperament is the most common contemporary piano tuning scale. However, history has known numerous other scales, many of which serve as the basis for certain genres of music. You can experience these tunings with the Clavinova.

### • Equal Temperament

One octave is divided into twelve equal intervals. Currently the most popular piano tuning scale.

### • Pure Major/Pure Minor

Based on natural overtones, three major chords using these scales produce a beautiful, pure sound.

### • Pythagorean

This scale, designed by Pythagoras, a Greek philosopher, is based on the interval of a perfect 5th. The 3rd produces swells, but the 4th and 5th are beautiful and suitable for some leads.

### • Mean Tone

This scale is an improvement of the Pythagorean in that the swell of the 3rd has been eliminated. The scale became popular during the late 16th century through the late 18th century, and was used by Handel.

### • Werckmeister/Kirnberger

These scales combine Mean Tone and Pythagorean in different ways. With these scales, modulation changes the impression and feel of the songs. They were often used in the era of Bach and Beethoven. They are often used today to reproduce the music of that era on harpsichords.

## Scale

**F2.1**

- Setting range:**
- 1..... Equal Temperament
  - 2..... Pure Major
  - 3..... Pure Minor
  - 4..... Pythagorean
  - 5..... Mean Tone
  - 6..... Werckmeister
  - 7..... Kirnberger

**Default setting:** 1..... Equal Temperament

## Base Note

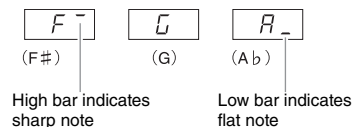
**F2.2**

If you select a scale other than Equal Temperament, you need to specify the root. (You can specify the root note with Equal Temperament selected, but it is not effective. The base note setting is effective for tunings other than the Equal Temperament tuning.)

**Setting range:** C, C#, D, Eb, E, F, F#, G, Ab, A, Bb, B

**Default setting:** C

### Root indication example



## Dual Mode Functions

You can set various parameters for the Dual mode to optimize the settings for the songs you play, such as adjusting the volume balance between two Voices. Dual mode function settings are set individually for each Voice combination.

1. Select the Voices in the Dual mode, then call up the Function mode and select a function number.
2. Use the [-/NO] [+ /YES] buttons to set the values.

### SHORTCUT:

You can jump directly to the Dual mode function **F31** by simultaneously holding down the two Dual mode Voice buttons and pressing the [TEMPO/FUNCTION] button.

## Dual Balance

**F31**

Finely adjusts the balance between the two Voices, layering the two so that one Voice serves as the main sound and the other provides a subtle accent or a textured after-sound.

**Setting range:** 0 – 20 (A setting of “10” produces an equal balance between the two Dual mode Voices. Settings below “10” increase the volume of Voice 2 in relation to Voice 1, and settings above “10” increase the volume of Voice 1 in relation to Voice 2.)

**Default setting:** Different for each Voice combination.

## Dual Detune

**F32**

Detunes Voice 1 and Voice 2 for Dual mode to create a thicker sound.

**Setting range:** -20 – 0 – 20 (With positive values, the pitch of Voice 1 is raised and the pitch of Voice 2 is lowered. With negative values, the pitch of Voice 1 is lowered and the pitch of Voice 2 is raised.)

**Default setting:** Different for each Voice combination.

### NOTE

The available setting range is wider in the lower range ( $\pm 60$  cents for A -1), and narrower in the higher range ( $\pm 5$  cents for C7). (100 cents equal one semitone.)

## Voice 1 Octave Shift

**F33**

## Voice 2 Octave Shift

**F34**

Shifts the pitch up and down in octave steps for Voice 1 and Voice 2 independently. Depending on which Voices you combine in Dual mode, the combination may sound better if one of the Voices is shifted up or down an octave.

**Setting range:** -1, 0, 1

Default setting: Different for each Voice combination.

### NOTE

“Voice 1” and “Voice 2” are explained on page 26.

## Voice 1 Effect Depth

**F35**

## Voice 2 Effect Depth

**F36**

These functions allow you to individually set the depth of the effect for Voices 1 and 2 for Dual mode.

**Setting range:** 0 – 20

**Default setting:** Different for each Voice combination.

### NOTE

“Voice 1” and “Voice 2” are explained on page 26.

## Reset

**F37**

Resets all Dual mode functions to their default values. Press the [+ /YES] button to reset the values.

## Split Mode Functions

470 440 430 S408 S406 465GP

This menu enables you to make various detailed settings for the Split mode. By changing the split point or other settings, you can optimize the settings for the songs you play.

1. Select the Voices in the Split mode, then call up the Function mode and select a function number.
2. Use the [-/NO] [+ /YES] buttons to set the values.

### SHORTCUT:

You can jump directly to the Split mode function [F41] by pressing the [TEMPO/FUNCTION] button while holding the [SPLIT] button.

## Split Point

[F41]

Set the point on the keyboard that separates the right and left-hand sections (split point). The pressed key is included in the left-hand range.

**Setting range:** The entire keyboard

**Default setting:** F#2

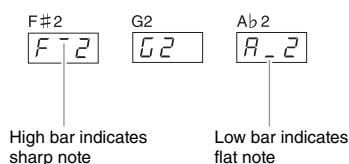
### NOTE

Instead of using the [-/NO] [+ /YES] buttons, you can set the split point by directly pressing the appropriate key on the keyboard.

### SHORTCUT:

If the Function mode is not called up, you can change the split point to any other key by pressing the key while holding the [SPLIT] button.

#### Example key name indications for split point



## Split Balance

[F42]

The volume level of the two Voices combined in Split mode can be adjusted as required. You can make this setting for each combination of Voices individually.

**Setting range:** 0 – 20 (A setting of "10" produces an equal balance between the two Split mode Voices. Settings below "10" increase the volume of the left Voice in relation to the right Voice, and settings above "10" increase the volume of the right Voice in relation to the left Voice.)

**Default setting:** Different for each Voice combination.

## Right Voice Octave Shift

[F43]

## Left Voice Octave Shift

[F44]

Shifts the pitch up and down in octave steps for the Right Voice and Left Voice independently. Change this setting depending on the note range of the songs you play. You can make this setting for each combination of Voices individually.

**Setting range:** -1, 0, 1

**Default setting:** Different for each Voice combination

## Right Voice Effect Depth

[F45]

## Left Voice Effect Depth

[F46]

These functions allow you to individually set the depth of the effect for the left and right Split mode Voices.

**Setting range:** 0 – 20

**Default setting:** Different for each Voice combination

## Damper Pedal Range

[F47]

The Damper Pedal Range function determines whether the damper pedal affects the right Voice, the left Voice, or both the left and right Voices in Split mode.

**Setting range:** ALL (for both Voices)  
1 (for the right Voice)  
2 (for the left Voice)

**Default setting:** 1

## Reset

[F48]

Resets all Split mode functions to their default values. Press the [+ /YES] button to reset the values.

## Pedal Settings and Acoustic Processing

These functions allow you to assign the [PLAY/PAUSE] function to the pedal or set the depth, etc. of the resonance effect of the damper pedal.

### Pedal [PLAY/PAUSE] function

F51	470	440	430	S408	S406	465GP
F41	470	440	430	S408	S406	465GP

The [PLAY/PAUSE] function can be assigned to the left pedal or the center pedal. If the [PLAY/PAUSE] function is assigned to a pedal, the original pedal function (soft or sostenuto) is disabled.

**Setting range:** OFF  
1 (left pedal)  
2 (center pedal)

**Default setting:** OFF

### Half Pedal Point

F52	470	440	430	S408	S406	465GP
F42	470	440	430	S408	S406	465GP

Sets the degree to which pressing the damper pedal applies the half-pedal effect.

**Setting range:** -2 (effective at shallow position) – 0 – 4 (effective at deep position)

**Default setting:** 0

### Damper Resonance Depth

F53	470	440	430	S408	S406	465GP
F43	470	440	430	S408	S406	465GP

Sets the degree of application of the string resonance effect, which is added when the damper pedal is pressed for the GRAND PIANO 1 – GRAND PIANO 4 Voices (including the variations).

**Setting range:** 0 – 10

**Default setting:** Different for each Voice

### Soft Pedal Effect Depth

F54	470	440	430	S408	S406	465GP
F44	470	440	430	S408	S406	465GP

This function sets the depth of the soft pedal effect.

**Setting range:** 1 – 10

**Default setting:** 5

## String Resonance Depth

F55	470	440	430	S408	S406	465GP
-----	-----	-----	-----	------	------	-------

Sets the way the string resonance effect is applied to the GRAND PIANO 1 – GRAND PIANO 3 Voices (including the variations).

**Setting range:** 0 – 10

**Default setting:** 5

## Sustain Sample Depth

F56	470	440	430	S408	S406	465GP
-----	-----	-----	-----	------	------	-------

The following Voices feature special “Sustain Samples” that recreate the unique resonance of an acoustic grand piano’s soundboard and strings when the damper pedal is pressed. This function lets you adjust the depth of this effect.

- GRAND PIANO1 (including VARIATION)
- GRAND PIANO2 (only VARIATION)
- GRAND PIANO3 (including VARIATION)
- GRAND PIANO4 (only VARIATION)

**Setting range:** 0 – 10

**Default setting:** 5

## Key-off Sample Volume

F57	470	440	430	S408	S406	465GP
-----	-----	-----	-----	------	------	-------

You can adjust the volume of the key-off sound (the subtle sound produced when the keys are released) for the following Voices.

- GRAND PIANO1 (including VARIATION)
- GRAND PIANO2 (including VARIATION)
- GRAND PIANO3 (including VARIATION)
- GRAND PIANO4 (only VARIATION)
- E.PIANO2 (excluding VARIATION)
- HARPSICHORD (including VARIATION)

**Setting range:** 0 – 10

**Default setting:** 5

## MIDI Song Channel

F58	470	440	430	S408	S406	465GP
F45	470	440	430	S408	S406	465GP

You can specify which song channels will play back on this instrument by using the [-/NO] and [+ /YES] buttons.

**Setting range:** ALL, 1&2

**Default setting:** ALL

When “ALL” is selected, channels 1 – 16 will be played back. When “1&2” is selected, only channels 1 and 2 will be played back, while channels 3 – 16 will be transmitted via MIDI to the external device.

## Volume Setting

Determines the volume of the metronome or Audio Song playback.

### Metronome Volume

<b>F 6.1</b>	470	440	430	S408	S406	465GP
<b>F 5.1</b>	470	440	430	S408	S406	465GP

**Setting range:** 1 – 20

**Default setting:** 15

#### SHORTCUT:

You can jump directly to this function number by simultaneously holding down the [METRONOME] button and pressing the [TEMPO/FUNCTION] button.

### Audio Song Playback Volume

<b>F 6.2</b>	470	440	430	S408	S406	465GP
<b>F 5.2</b>	470	440	430	S408	S406	465GP

**Setting range:** 1 – 20

**Default setting:** 16

#### SHORTCUT:

You can also set the value during audio playback by simultaneously holding down the [TEMPO/FUNCTION] button and using the [-/NO]/[+/YES] buttons.

## MIDI Functions

You can make detailed adjustments to MIDI settings. For more information about MIDI, see the online manual “MIDI Basics.”

All MIDI settings described below will affect the MIDI signal in and out of the USB [TO HOST] connector.

### MIDI Transmit Channel

<b>F 7.1</b>	470	440	430	S408	S406	465GP
<b>F 6.1</b>	470	440	430	S408	S406	465GP

In any MIDI control setup, the MIDI channels of the transmitting and receiving equipment must be matched for proper data transfer. This parameter enables you to specify the channel on which the Clavinova transmits MIDI data.

**Setting range:** 1 – 16, OFF (not transmitted)

**Default setting:** 1

#### NOTE

In Dual mode, Voice 1 data is transmitted on its specified channel. In Split mode (CLP-470/440/S408/S406), right Voice data is transmitted on its specified channel. In Dual mode, Voice 2 data is transmitted on the next greater channel number relative to the specified channel. In Split mode (CLP-470/440/S408/S406), left Voice data is transmitted on the next greater channel number relative to the specified channel. In either mode, no data is transmitted if the transmit channel is set to “OFF.”

#### NOTE

Song data is not transmitted via the MIDI connections. However, channels 3 – 16 of non-protected songs will be transmitted via the MIDI connections depending on the MIDI Song Channel Selection setting (page 56).

### MIDI Receive Channel

<b>F 7.2</b>	470	440	430	S408	S406	465GP
<b>F 6.2</b>	470	440	430	S408	S406	465GP

In any MIDI control setup, the MIDI channels of the transmitting and receiving equipment must be matched for proper data transfer. This parameter enables you to specify the channel on which the Clavinova receives MIDI data.

**Setting range:** ALL, 1&2, 1 – 16

**Default setting:** ALL

#### NOTE

##### ALL:

This allows simultaneous reception of different parts on all 16 MIDI channels, enabling the Clavinova to play multi-channel song data received from a sequencer or other external device.

##### 1&2:

This allows simultaneous reception on channels 1 and 2 only, enabling the Clavinova to play 1 and 2 channel song data received from a sequencer or other external device.

#### NOTE

Program change and other like channel messages received will not affect the instrument's panel settings or the notes you play on the keyboard.

#### NOTE

No MIDI reception occurs when Demo mode is called up or during file operations.

### Local Control ON/OFF

<b>F 7.3</b>	470	440	430	S408	S406	465GP
<b>F 6.3</b>	470	440	430	S408	S406	465GP

“Local Control” refers to the fact that, normally, the keyboard controls its internal tone generator, allowing the internal Voices to be played directly from the keyboard. This situation is “Local Control On,” since the internal tone generator is controlled locally by its own keyboard. Local control can be turned “OFF,” however, so that the keyboard does not play the internal Voices, but the appropriate MIDI information is still transmitted via the MIDI OUT terminal when notes are played on the keyboard. At the same time, the internal tone generator responds to MIDI information received via the MIDI IN terminal.

**Setting range:** ON/OFF

**Default setting:** ON

## Program Change ON/OFF

<b>F74</b>	470	440	430	S408	S406	465GP
<b>F64</b>	470	440	430	S408	S406	465GP

Normally this instrument responds to MIDI program change numbers received from an external keyboard or other MIDI device, causing the correspondingly-numbered Voice to be selected on the corresponding channel (the keyboard Voice does not change). The instrument will normally also send a MIDI program change number whenever one of its Voices is selected, causing the correspondingly-numbered Voice or program to be selected on the external MIDI device if the device is set up to receive and respond to MIDI program change numbers.

This function makes it possible to cancel program change number reception and transmission so that Voices can be selected on the instrument without affecting the external MIDI device.

### NOTE

For information on program change numbers for each of the instrument's Voices, refer to the online manual "MIDI Data Format."

**Setting range:** ON/OFF

**Default setting:** ON

## Control Change ON/OFF

<b>F75</b>	470	440	430	S408	S406	465GP
<b>F65</b>	470	440	430	S408	S406	465GP

Normally this instrument responds to MIDI control change data received from an external MIDI device or keyboard, causing the Voice on the corresponding channel to be affected by pedal and other "control" settings received from the controlling device (the keyboard Voice is not affected).

The instrument also transmits MIDI control change information when the pedal or other appropriate controls are operated.

This function makes it possible to cancel control change data reception and transmission so that, for example, the instrument's pedal and other controls can be operated without affecting an external MIDI device.

### NOTE

For information on control change messages that can be used with this instrument, refer to the online manual "MIDI Data Format."

**Setting range:** ON/OFF

**Default setting:** ON

## Initial Setup Send

<b>F76</b>	470	440	430	S408	S406	465GP
<b>F66</b>	470	440	430	S408	S406	465GP

This function lets you send the data of the panel settings to a computer. By transmitting the panel settings and recording them on the MIDI sequence recorder prior to the actual performance data, the instrument will be automatically restored to the same settings when the performance is played back. You can also use this function to change the settings of a connected tone generator to the same settings as the instrument.

1. Set up the panel controls as desired.
2. Connect the Clavinova to a sequencer via MIDI, and set up the sequencer so it can receive the setup data.
3. Call up the Function mode and select the function number.
4. Press the [+ / YES] button to transmit the panel/status data.

**End** will appear on the display when the data has been successfully transmitted.

### The following data can be sent.

- Voice
- [REVERB] type/depth
- [EFFECT] type/depth
- (CLP-470/440/S408/S406) Split point
- Scale **F21**
- Dual Balance **F31**
- Dual Detune **F32**
- (CLP-470/440/S408/S406) Split Balance **F42**
- Damper Resonance Depth **F53** (CLP-470/440/S408/S406) / **F43** (CLP-430/465GP)
- Soft Pedal Effect Depth **F54** (CLP-470/440/S408/S406) / **F44** (CLP-430/465GP)
- (CLP-470/440/S408/S406) String Resonance Depth **F55**
- (CLP-470/440/S408/S406) Sustain Sample Depth **F56**
- (CLP-470/440/S408/S406) Keyoff Sample Volume **F57**

## Backup Functions

You can back up certain settings, such as Voice selection and reverb type, so that they will not be lost when you turn off the power to the instrument.

If the backup function is turned on, the settings at power off are effective. If the backup function is turned off, the settings in memory are erased when you turn off the power. In this case, when you turn on the power to the unit, the default settings (page 67) will be called up. However, the backup settings themselves, the recorded song data in the internal memory and character code settings are always backed up.

### NOTICE

It takes a few seconds to save the settings. If you turn off the power of the instrument right after changing the setting, the setting may not be saved.

## Voice

F81	470	440	430	S408	S406	465GP
F71	470	440	430	S408	S406	465GP

Setting range: ON/OFF

Default setting: ON

### Backup contents

- Voice
- Dual (ON/OFF, Voice, and Dual Function settings [F31] – [F36] for each Voice combination)
- Reverb (ON/OFF, Type, and Depth for each Voice)
- Effect (ON/OFF, Type, and Depth for each Voice)
- Touch Sensitivity (including the FIXED volume)
- Metronome (Beat, Volume < [F61] (CLP-470/440/S408/S406)/ [F51] (CLP-430/465GP) settings>)
- Damper Resonance Depth ( [F53] <CLP-470/440/S408/S406>/ [F43] <CLP-430/465GP>)

(Following parameters only apply to the CLP-470/440/S408/S406)

- Variation (ON/OFF)
- Split (ON/OFF, Voice, and Split Functions [F41] – [F47] for each Voice combination)

## MIDI

F82	470	440	430	S408	S406	465GP
F72	470	440	430	S408	S406	465GP

Setting range: ON/OFF

Default setting: ON

### Backup contents

- MIDI function settings [F71] – [F75] (CLP-470/440/S408/S406)/ [F61] – [F65] (CLP-430/465GP)

## Tuning

F83	470	440	430	S408	S406	465GP
F73	470	440	430	S408	S406	465GP

Setting range: ON/OFF

Default setting: ON

### Backup contents

- Transpose
- Tuning [F1]
- Scale (including base note) [F21] – [F22]

## Others

F84	470	440	430	S408	S406	465GP
F74	470	440	430	S408	S406	465GP

Setting range: ON/OFF

Default setting: ON

### Backup contents

- Pedal settings and acoustic processing [F51], [F52], [F54] – [F59] (CLP-470/440/S408/S406)/ [F41], [F42], [F44] (CLP-430/465GP)
- MIDI song playback channel [F5B] (CLP-470/440/S408/S406)/ [F45] (CLP-430/465GP)
- Audio Song Playback Volume ( [F62] <CLP-470/440/S408/S406>/ [F52] <CLP-430/465GP>)
- BRILLIANCE setting
- I. A. Control On/Off and Depth

## Character Code

F85	470	440	430	S408	S406	465GP
F75	470	440	430	S408	S406	465GP

If the song cannot be loaded, you may need to change the character code setting.

**Setting range:** Int (International)/JA (Japanese)

**Default setting:** Int

## Data Backup

These settings and Songs in the USER MIDI drive data are combined into one file (extension: .bup) and loaded to a USB memory device. Also, files contained in a USB memory device can be read into this instrument for loading these settings and playing Songs.

1. Connect a USB storage device.
2. Call up the Function mode and select the function number.
3. Press the [+ / YES] button to execute saving or loading. (Press the [+ / YES] button twice when loading.)

**[End]** will appear on the display when the data has been successfully saved or loaded.

### NOTICE

During backup data saving/loading, do not turn off the power. If you turn off the power during these operations, data will be lost.

## Save

F85	470	440	430	S408	S406	465GP
F75	470	440	430	S408	S406	465GP

Backup data (main settings and Songs in the USER MIDI drive) are stored to a USB memory device.

### Backup file names

<b>CLP-470:</b>	clp-470.bup
<b>CLP-440:</b>	clp-440.bup
<b>CLP-430:</b>	clp-430.bup
<b>CLP-S408:</b>	clp-s408.bup
<b>CLP-S406:</b>	clp-s406.bup
<b>CLP-465GP:</b>	clp-465gp.bup

## Load

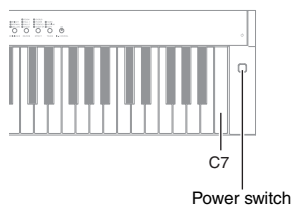
F87	470	440	430	S408	S406	465GP
F77	470	440	430	S408	S406	465GP

The backup data (main settings and Songs in the USER MIDI drive) saved to a USB memory device are loaded into the Clavinova and restored to their original state. When the operation is complete, the instrument will be restarted automatically.



## Restoring the default (factory-programmed) settings

While holding the C7 key (right-most key on the keyboard), press the power switch to turn the power on. This operation erases backup data in this instrument (including backup settings in the Function mode) and restores the factory default settings. The User Songs and the external Songs stored to internal memory will be retained.



### **NOTICE**

Do not turn off the power of the instrument while "CLR" is shown in the display. Doing so may delete all song data in the instrument, including external songs (page 29).

### **NOTE**

The "Default setting" refers to the initial setting preprogrammed when shipped from the factory, called up when you first turn on the power to this instrument.

## Appendix

# Message List

Message	Meaning
CLr	Initializing the instrument to the default setting. <b>NOTICE</b> Do not turn off the power of the instrument when "CLr" appears in the display. Doing so may delete all Song data in the instrument, including external Songs (page 29).
con	Displayed when Musicsoft Downloader is started on a computer connected to the instrument. When this message appears, you cannot operate the instrument.
E01	Displayed when the character code (page 60) is not appropriate for the file name of the Song which you are selecting. Switch the character code.
	Displayed when the data format is not compatible with this instrument, or the data has some other problems. This Song cannot be selected.
	Displayed when no USB storage devices can be found, or a problem has occurred in the USB storage device. Disconnect and connect the device again, then execute the operation. If this message appears repeatedly even when there aren't any other likely problems, the USB storage device may be damaged.
	Displayed when the backup data cannot be loaded. There is no backup data which can be loaded, or the data may be damaged.
E02	Indicates that the USB storage device or media is protected.
E03	Displayed when the memory of the USB storage device becomes full, or the number of files and folders exceeds the system limit.
E04	Displayed when conversion to audio, Audio Song playback or recording has failed. If you are using a USB storage device to which data has already been stored or deleted a number of times, first make sure that the device does not contain important data, then format it (page 44) and connect to the instrument again.
EEE	A malfunction has occurred in the instrument. Contact your nearest Yamaha dealer or authorized distributor.
End	Displayed when the current operation is completed.
Enp	The memory of the instrument or the USB storage device is running out. We recommend that you remove any unnecessary files (pages 37, 43) to ensure sufficient memory capacity before start recording.
FCL	Indicates that internal memory is being cleaned up. Panel settings, recorded Songs and external Songs which have been stored to the USER MIDI drive are being cleared, because the power has been turned off before the Save, Load or Convert operations were completed. <b>NOTICE</b> Do not turn off the power of the instrument when "FCL" appears in the display.
For	Indicates that the instrument is going to call up the Format operation for the USB storage device.
FUL	Since the memory of the instrument or the USB storage device is insufficient, the operation could not be completed. If this message appears during recording, the performance data may not be recorded properly.
n y	Confirms whether each operation is executed or not.
n-y	Reconfirms whether the overwriting, delete or format operation is executed or not.
Pro	Displayed when you try to overwrite or delete a protected Song or read-only file. Use a read-only file after cancelling the read-only setting.
StP	Displayed when you canceled conversion to audio.
UnF	Displayed when an unformatted USB storage device is connected. First make sure that the device does not contain important data, then format it (page 44).
Uoc	Communication with the USB device has been shut down because of overcurrent to the USB device. Disconnect the device from the [USB TO DEVICE] terminal, then turn on the power of the instrument again.
UU1	Communication with the USB device has failed. Remove the USB device and make the connection again. If the message appears even when the USB device is connected properly, the device may be damaged.
UU2	This USB device is not supported on this instrument, or too many USB devices may have been connected. Refer to "Connecting a USB storage device" (page 47) for information on the USB device connection.

To turn off the message, press the [-/NO] button.

# Troubleshooting

When a message is displayed, refer to the “Message List” (page 62) for troubleshooting aid.

Problem	Possible Cause and Solution
The instrument does not turn on.	The instrument has not been plugged in properly. Securely insert the female plug into the socket on the instrument, and the male plug into a proper AC outlet (page 15).
A click or pop is heard when the power is turned on or off.	This is normal when electrical current is being applied to the instrument.
Noise is heard from the speakers or headphones.	The noise may be due to interference caused by the use of a mobile phone in close proximity to the instrument. Turn off the mobile phone, or use it further away from the instrument.
The overall volume is low, or no sound is heard.	The Master Volume is set too low; set it to an appropriate level using the [MASTER VOLUME] slider (page 16).
	Make sure a pair of headphones is not connected to the headphones jack (when the [SPEAKER] switch is set to the “NORMAL” position). If the [SPEAKER] switch is set to the “OFF” position, set it to “NORMAL” or “ON” (page 17).
	Make sure that Local Control (page 57) is On.
The speakers do not switch off when a pair of headphones is connected.	The [SPEAKER] switch may be switched “ON.” Set the [SPEAKER] switch to the “NORMAL” position (page 17).
Pedals do not function.	The pedal cord may not be securely connected to the [PEDAL] jack. Be sure to insert the pedal cord all the way until the metal part of the cord plug disappears from view (pages 72, 75, 78, 82, 85).
The tone quality and/or volume from the speakers or headphones has changed.	The sound condition output from the internal speakers and the headphones changes automatically to the appropriate settings depending on how the external device is connected to the AUX OUT jacks. See chart on page 46.
The USB storage device has hung up (stopped).	Refer to the Message List (page 62) in case a message is displayed. If this happens without any messages, the USB storage device may be damaged.

# Preset Voice List

CLP-470/440/S408/S406

○: Yes  
—: No

Voice Name	Touch Response	Stereo Sampling	Key-Off Sampling	Sustain Sampling	String Resonance	Voice description
GRAND PIANO1	○	○	○	○	○	This sound was sampled from a concert grand piano. It uses different samples depending on the strength of your playing and produces smoother tonal changes. Even the tonal changes produced by the damper pedal and the subtle sounds of releasing a key are reproduced. The sympathetic vibration (string resonance) that occurs among the strings of an acoustic piano has also been simulated. Suitable not only for classical compositions but also for piano pieces of any style.
VARIATION	○	○	○	○	○	Standard piano with a soft and warm tone. Good for playing ballads.
GRAND PIANO2	○	○	○	—	○	Mellow piano sound with gradual attack. Good for quiet and slow music.
VARIATION	○	○	○	○	○	Warm and soft piano sound. Good for relaxing music.
GRAND PIANO3	○	○	○	○	○	Bright piano sound. Good for clear expression and "cutting through" other instruments in an ensemble.
VARIATION	○	○	○	○	○	A slightly brighter piano sound than the Grand Piano. Good for popular styles.
GRAND PIANO4	○	○	—	—	—	Spacious and clear piano with bright reverb. Good for popular music.
VARIATION	○	○	○	○	—	A solid, bass-heavy piano sound. Good for making your performance more dynamic.
E.PIANO1	○	—	—	—	—	An electronic piano sound created by FM synthesis. Extremely "musical" response with varying timbre according to keyboard dynamics. Good for standard popular music.
VARIATION	○	—	—	—	—	A synth-generated type electronic piano sound often heard in popular music. Used in the Dual mode it blends well with an acoustic piano Voice.
E.PIANO2	○	—	○	—	—	The sound of an electric piano using hammer-struck metallic "tines." Soft tone when played lightly, and an aggressive tone when played hard.
VARIATION	○	—	—	—	—	A slightly different electric piano sound often heard in rock and popular music.
HARPSICHORD	—	○	○	—	—	The definitive instrument for baroque music. Since harpsichord uses plucked strings, there is no touch response. There is, however, a characteristic additional sound when the keys are released.
VARIATION	—	○	○	—	—	Mixes the same Voice an octave higher for a more brilliant tone.
PIPE ORGAN	—	○	—	—	—	This is a typical pipe organ sound (8 feet + 4 feet + 2 feet). Good for sacred music from the Baroque period.
VARIATION	—	○	—	—	—	This is the organ's full coupler sound often associated with Bach's "Toccatina and Fugue."
JAZZ ORGAN	—	—	—	—	—	The sound of a "tonewheel" type electric organ. Often heard in jazz and rock music. The rotary speed of the "ROTARY SP" effect can be switched by using the left pedal.
VARIATION	—	—	—	—	—	The sound of a "tonewheel" type electric organ without attacks. Select the normal or variation Voice depending on the tunes. The rotary speed of the "ROTARY SP" effect can be switched by using the left pedal.
STRINGS	○	○	—	—	—	Stereo-sampled, large-scale strings ensemble with realistic reverb. Try combining this Voice with piano in the Dual mode.
VARIATION	○	○	—	—	—	Spacious strings ensemble with a slow attack. Try combining this Voice with a piano or electric piano in the Dual mode.
CHOIR	○	—	—	—	—	A big, spacious choir Voice. Perfect for creating rich harmonies in slow pieces.
VARIATION	○	—	—	—	—	A choir Voice with a slow attack. Try combining this Voice with a piano or electric piano in the Dual mode.

Voice Name	Touch Response	Stereo Sampling	Key-Off Sampling	Sustain Sampling	String Resonance	Voice description
VIBES/GUITAR	○	○	—	—	—	Vibraphone played with relatively soft mallets. The tone becomes more metallic the harder you play.
VARIATION	○	—	—	—	—	Warm and natural-sounding nylon guitar. Enjoy the quiet ambience of nylon strings.
WOOD BASS	○	—	—	—	—	An upright bass played fingerstyle. Ideal for jazz and Latin music.
VARIATION	○	—	—	—	—	Adds a cymbal Voice to the bass sound. Ideal for walking bass lines in jazz tunes.
E.BASS	○	—	—	—	—	Electric bass for a wide range of music styles, jazz, rock, popular, and more.
VARIATION	○	—	—	—	—	A fretless bass good for styles such as jazz, fusion, etc.

**Key-Off Sampling:**

Samples of the very delicate noises that are produced when keys are released.

**Sustain Sampling:**

Samples of the resonance of the soundboard and strings when the damper pedal is pressed.

**String Resonance:**

Simulated string resonance sound.

Voice Name	Touch Response	Stereo Sampling	Key-Off Sampling	Voice description
GRAND PIANO1	○	○	—	This sound was sampled from a concert grand piano. It uses different samples depending on the strength of your playing and produces smoother tonal changes. Suitable not only for classical compositions but also for piano pieces of any style.
GRAND PIANO2	○	○	—	Mellow piano sound with gradual attack. Good for quiet and slow music.
GRAND PIANO3	○	○	—	Bright piano sound. Good for clear expression and "cutting through" other instruments in an ensemble.
GRAND PIANO4	○	○	—	Spacious and clear piano with bright reverb. Good for popular music.
E.PIANO1	○	—	—	An electronic piano sound created by FM synthesis. Good for standard popular music.
E.PIANO2	○	—	○	The sound of an electric piano using hammer-struck metallic "tines." Soft tone when played lightly, and an aggressive tone when played hard.
HARPSICHORD	—	○	○	The definitive instrument for baroque music. Since harpsichord uses plucked strings, there is no touch response. There is, however, a characteristic additional sound when the keys are released.
PIPE ORGAN1	—	○	—	This is a typical pipe organ sound (8 feet + 4 feet + 2 feet). Good for sacred music from the Baroque period.
PIPE ORGAN2	—	○	—	This is the organ's full coupler sound often associated with Bach's "Tocatta and Fugue."
JAZZ ORGAN	—	—	—	The sound of a "tonewheel" type electric organ. Often heard in jazz and rock music. The rotary speed of the "ROTARY SP" effect can be switched by using the left pedal.
STRINGS1	○	○	—	Stereo-sampled, large-scale strings ensemble with realistic reverb. Try combining this Voice with piano in the Dual mode.
STRINGS2	○	○	—	Spacious strings ensemble with a slow attack. Try combining this Voice with a piano or electric piano in the Dual mode.
CHOIR	○	—	—	A big, spacious choir Voice. Perfect for creating rich harmonies in slow pieces.
VIBRAPHONE	○	○	—	Vibraphone played with relatively soft mallets. The tone becomes more metallic the harder you play.

### Key-Off Sampling:

Samples of the very delicate noises that are produced when keys are released.

# Default Setting List

Function	Default	Backup Group	
		CLP-470/440/S408/S406	CLP-430/465GP
Touch Sensitivity	MEDIUM	F8.1	F7.1
Volume in the FIXED Mode	64		
Metronome	Off	—	—
Metronome Time Signature	0 (no accent)	F8.1	F7.1
Tempo	120	—	—
Voice	GRAND PIANO 1	F8.1	F7.1
Variation (CLP-470/440/S408/S406)	Off		—
Dual Mode	Off		F7.1
Split Mode (CLP-470/440/S408/S406)	Off		—
Split Mode Left Voice (CLP-470/440/S408/S406)	WOOD BASS		—
Reverb Type/Depth	Preset for each Voice		F7.1
Effect Type/Depth	Preset for each Voice		—
Transpose	0		F8.3
Brilliance	NORMAL	F8.4	F7.4
I. A. Control	On	F8.4	F7.4
I. A. Control Depth	0		

## Function

Function Number		Function	Default	Backup Group	
CLP-470/440/S408/S406	CLP-430/465GP			CLP-470/440/S408/S406	CLP-430/465GP
F1.	F1.	Tuning	A3=440Hz	F8.3	F7.3
F2.1	F2.1	Scale	1 (Equal Temperament)		
F2.2	F2.2	Base Note	C		
F3.1	F3.1	Dual Balance	Preset for each Voice combination	F8.1	F7.1
F3.2	F3.2	Dual Detune	Preset for each Voice combination		
F3.3, F3.4	F3.3, F3.4	Dual Octave Shift	Preset for each Voice combination		
F3.5, F3.6	F3.5, F3.6	Dual Effect Depth	Preset for each Voice combination		
F4.1	—	Split Point	F#2		—
F4.2	—	Split Balance	Preset for each Voice combination		
F4.3, F4.4	—	Split Octave Shift	Preset for each Voice combination		
F4.5, F4.6	—	Split Effect Depth	Preset for each Voice combination		
F4.7	—	Damper Pedal Range	1 (for the right Voice)		

Function Number		Function	Default	Backup Group	
CLP-470/ 440/S408/ S406	CLP-430/ 465GP			CLP-470/ 440/S408/ S406	CLP-430/ 465GP
F5.1	F4.1	Pedal [PLAY/PAUSE] Function	OFF	F8.4	F7.4
F5.2	F4.2	Half Pedal Point	0		
F5.3	F4.3	Damper Resonance Depth	Preset for each Voice	F8.1	F7.1
F5.4	F4.4	Soft Pedal Effect Depth	5	F8.4	F7.4
F5.5	—	String Resonance Depth	5		—
F5.6	—	Sustain Sample Depth	5		—
F5.7	—	Keyoff Sample Volume	5		—
F5.8	F4.5	MIDI Song Channel Selection	ALL		F7.4
F6.1	F5.1	Metronome Volume	15	F8.1	F7.1
F6.2	F5.2	Audio Song Playback Volume	16	F8.4	F7.4
F7.1	F6.1	MIDI Transmit Channel	1	F8.2	F7.2
F7.2	F6.2	MIDI Receive Channel	ALL		
F7.3	F6.3	Local Control	ON		
F7.4	F6.4	Program Change	ON		
F7.5	F6.5	Control Change	ON		
F8.1 – F8.4	F7.1 – F7.4	Backup	Voice: OFF MIDI, Tuning, Others: ON	Always backed up	
F8.5	F7.5	Character Code	Int		



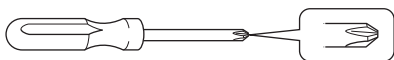
# Assembling the Clavinova

## Assembly Precautions

### CAUTION

- Assemble the unit on a hard and flat floor with ample space.
- Be careful not to confuse parts, and be sure to install all parts in the correct orientation. Please assemble the unit in accordance with the sequence given below.
- Assembly should be carried out by at least two persons.
- Be sure to use only the included screws of the specified sizes. Do not use any other screws. Use of incorrect screws can cause damage or malfunction of the product.
- Be sure to tighten all screws upon completing assembly of the unit.
- To disassemble the unit, reverse the assembly sequence given below.

Have a Philips-head (+) screwdriver of the appropriate size ready.



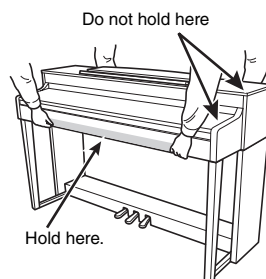
### After completing the assembly, please check the following.

- **Are there any parts left over?**  
Review the assembly procedure and correct any errors.
- **Is the instrument clear of doors and other movable fixtures?**  
Move the instrument to an appropriate location.
- **Does the instrument make a rattling noise when you shake it?**  
Tighten all screws.
- **Does the pedal box rattle or give way when you step on the pedals?**  
Turn the adjuster so that it is set firmly against the floor.
- **Are the pedal and power cords inserted securely into the sockets?**  
Check the connection.
- **If the unit creaks or is otherwise unsteady when you play on the keyboard, refer to the assembly diagrams and retighten all screws.**

470 440 430 S408 S406 465GP

### CAUTION

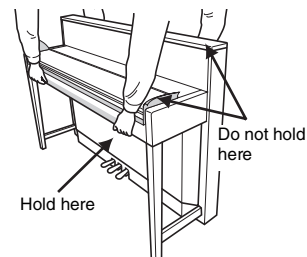
When moving the instrument after assembly, always hold the bottom of the main unit. (On the CLP-470: Hold by the bottom front of the main unit and the handles on the rear panel.) Do not hold the key cover or top portion. Improper handling can result in damage to the instrument or personal injury.



470 440 430 S408 S406 465GP

### CAUTION

When moving the instrument after assembly, hold the instrument by the bottom front of the main unit and the handles on the rear panel. Do not hold the key cover or top portion. Improper handling can result in damage to the instrument or personal injury.



### NOTICE

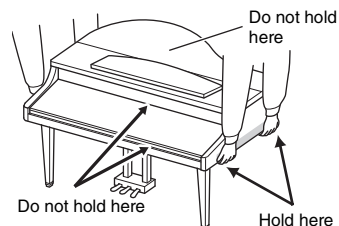
When transporting the instrument, cover the entire keyboard with the protective sheet (pages 76, 80) before closing the key cover. The sheet will protect the keyboard from being scratched.

470 440 430 S408 S406 465GP

When moving the instrument after assembly, always hold the bottom of the main unit.

### CAUTION

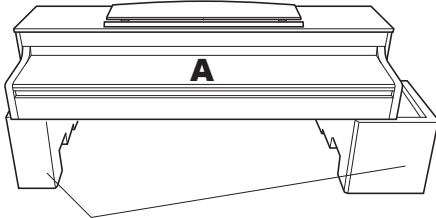
Do not hold the key cover or top portion. Improper handling can result in damage to the instrument or personal injury.



Reference page	
CLP-470	70
CLP-440/430	73
CLP-S408	76
CLP-S406	80
CLP-465GP	84

# CLP-470 Assembly

Remove all parts from the package and make sure you have all of the items.

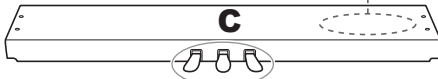


### Foamed styrol pads

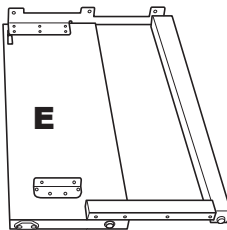
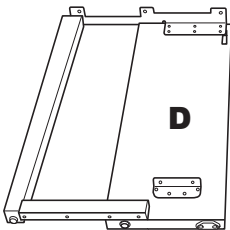
Remove foamed styrol pads from the package, position them on the floor, then place A on top of them. Position the pads so that they will not block the speaker box on the bottom of A.



A bundled pedal cord is attached to the reverse side.



The pedals are covered with vinyl covers when shipped from the factory. Remove the cover from the damper pedal for optimum use of the GP Responsive Damper Pedal effect.



### Assembly parts

6 x 20 mm long screws x 4



6 x 16 mm short screws x 6



4 x 12 mm thin screws x 2



4 x 20 mm tapping screws x 4



Cord holders x 2



### Headphone hanger

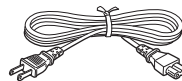
4 x 10 mm thin screws x 2



Headphone hanger

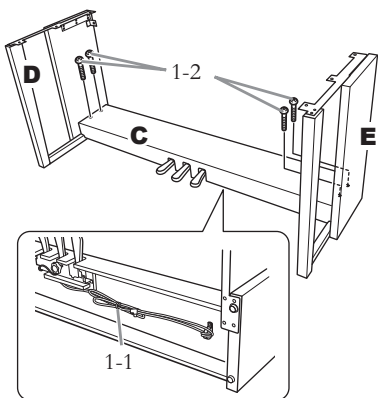


Power cord



## 1. Attach C to D and E.

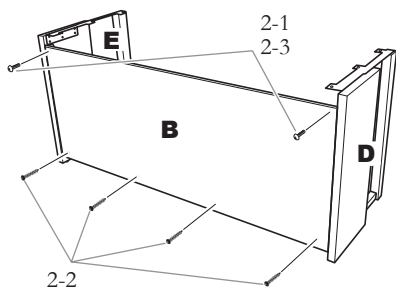
- 1-1 Untie and straighten out the bundled pedal cord.  
Do not discard the vinyl tie. You will need it later in step 5.
- 1-2 Attach D and E to C by tightening four long screws (6 x 20 mm).



## 2. Attach B.

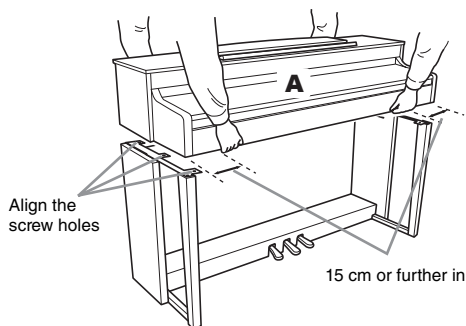
Depending on the model of instrument you purchased, the surface color of one side of B may be different from the other side. In this case, position B so that the side of the surface color most similar to D and E faces the player.

- 2-1 Align the screw holes on the upper side of B with the bracket holes on D and E, then attach the upper corners of B to D and E by finger-tightening two thin screws (4 x 12 mm).
- 2-2 Secure the bottom end of B using four tapping screws (4 x 20 mm).
- 2-3 Securely tighten the screws on the top of B that were attached in Step 2-1.



## 3. Mount A.

Make sure that you mount the main unit by holding the front bottom in areas that are at least 15 cm towards the center from either end and by the handles on the rear panel.



### ! CAUTION

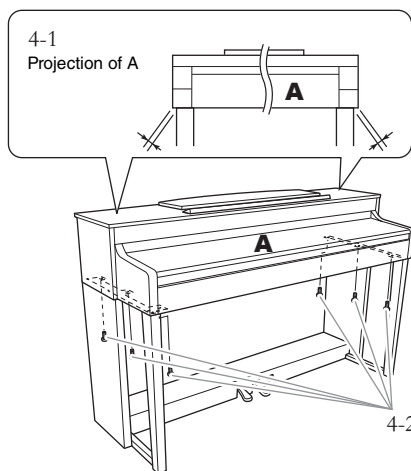
Be extra careful not to drop or let your fingers be pinched by the main unit.

### ! CAUTION

Do not hold the main unit in any position other than the position specified above.

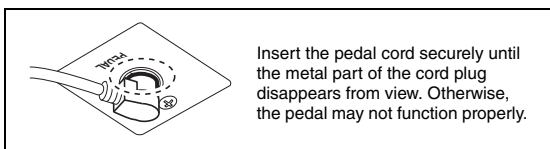
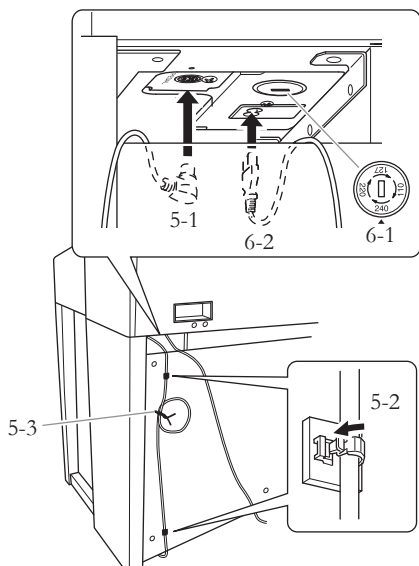
## 4. Secure A.

- 4-1 Adjust the position of A so that the left and right ends of A will project beyond D and E equally (as seen from the front).
- 4-2 Secure A by tightening six short screws (6 x 16mm) from the front.



## 5. Connect the pedal cord.

- 5-1 Insert the plug of the pedal cord into the pedal connector.
- 5-2 Attach the cord holders to the rear panel as shown, then clip the cord into the holders.
- 5-3 Use a vinyl tie to take up any slack in the pedal cord.



## 6. Connect the power cord.

- 6-1 For models that feature a voltage selector: Set the voltage selector to an appropriate voltage.

### Voltage Selector

Before connecting the AC power cord, check the setting of the voltage selector which is provided in some areas. To set the selector for 110V, 127V, 220V or 240V main voltages, use a "minus" screwdriver to rotate the selector dial so that the correct voltage for your region appears next to the pointer on the panel. The voltage selector is set at 240V when the unit is initially shipped. After the proper voltage has been selected, connect the AC power cord to the AC IN and an AC wall outlet. A plug adaptor may be also provided in some areas to match the pin configuration of the AC wall outlets in your area.



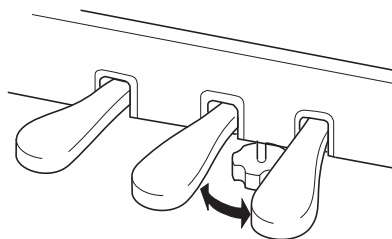
### WARNING

An improper voltage setting can cause serious damage to the instrument or result in improper operation.

- 6-2 Insert the plug of the power cord into the power connector.

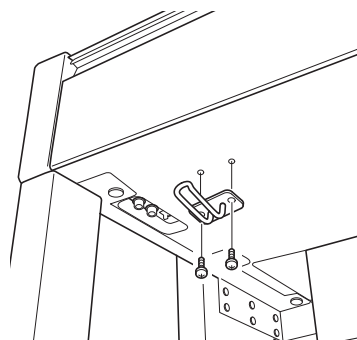
## 7. Set the adjuster.

Rotate the adjuster until the pedal box comes in firm contact with the floor surface.



## 8. Attach the headphone hanger.

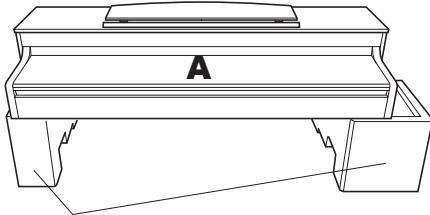
Use the included two screws (4 x 10 mm) to attach the hanger as shown in the illustration.



# CLP-440/430 Assembly

Remove all parts from the package and make sure you have all of the items.

\*This illustration shows model CLP-440.

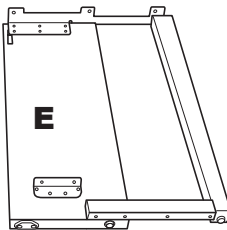
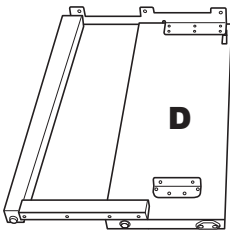


### Foamed styrol pads

Remove foamed styrol pads from the package, position them on the floor, then place A on top of them. Position the pads so that they will not hide the connectors on the bottom of A.



A bundled pedal cord is attached to the reverse side.



### Assembly parts

6 x 20 mm long screws x 4



6 x 16 mm short screws x 6



4 x 12 mm thin screws x 2



4 x 20 mm tapping screws x 4



Cord holders x 2



### Headphone hanger

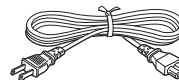
4 x 10 mm thin screws x 2



Headphone hanger

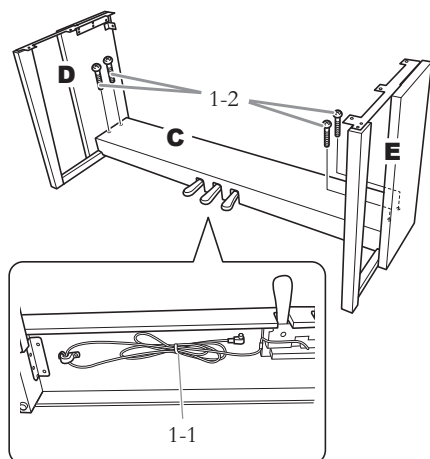


### Power cord



## 1. Attach C to D and E.

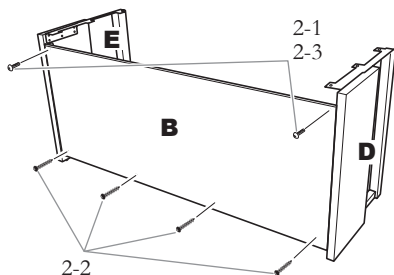
- 1-1 Untie and straighten out the bundled pedal cord. Do not discard the vinyl tie. You will need it later in step 5.
- 1-2 Attach D and E to C by tightening four long screws (6 x 20 mm).



## 2. Attach B.

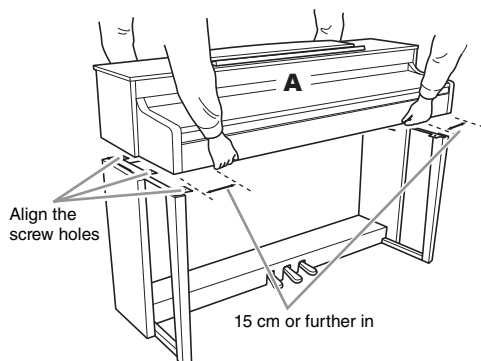
Depending on the model of instrument you purchased, the surface color of one side of B may be different from the other side. In this case, position B so that the side of the surface color most similar to D and E faces the player.

- 2-1 Align the screw holes on the upper side of B with the bracket holes on D and E, then attach the upper corners of B to D and E by finger-tightening two thin screws (4 x 12 mm).
- 2-2 Secure the bottom end of B using four tapping screws (4 x 20 mm).
- 2-3 Securely tighten the screws on the top of B that were attached in Step 2-1.



## 3. Mount A.

Be sure to place your hands at least 15 cm from either end of the main unit when positioning it.



### ! CAUTION

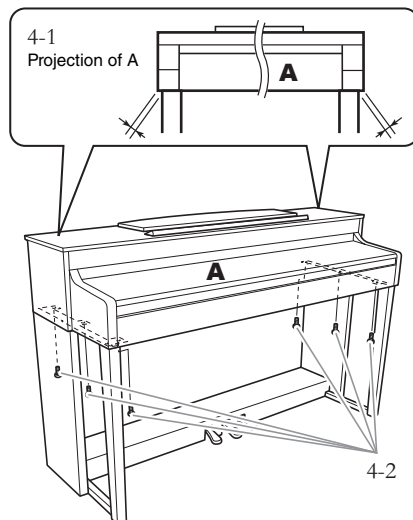
Be extra careful not to drop or let your fingers be pinched by the main unit.

### ! CAUTION

Do not hold the main unit in any position other than the position specified above

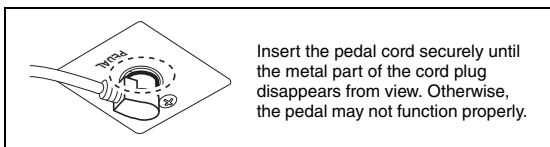
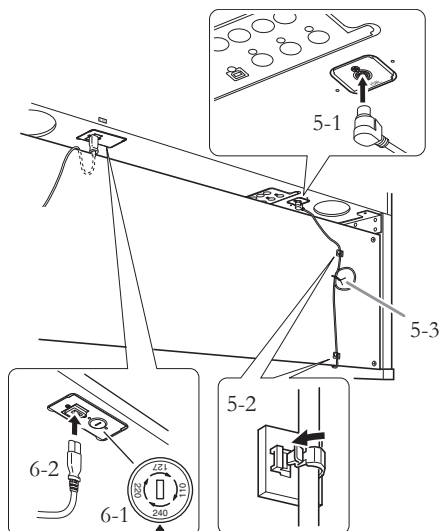
## 4. Secure A.

- 4-1 Adjust the position of A so that the left and right ends of A will project beyond D and E equally (as seen from the front).
- 4-2 Secure A by tightening six short screws (6 x 16 mm) from the front.



## 5. Connect the pedal cord.

- 5-1 Insert the plug of the pedal cord into the pedal connector.
- 5-2 Attach the cord holders to the rear panel as shown, then clip the cord into the holders.
- 5-3 Use a vinyl tie to take up any slack in the pedal cord.



## 6. Connect the power cord.

- 6-1 For models that feature a voltage selector: Set the voltage selector to an appropriate voltage.

### Voltage Selector

Before connecting the AC power cord, check the setting of the voltage selector which is provided in some areas. To set the selector for 110V, 127V, 220V or 240V main voltages, use a "minus" screwdriver to rotate the selector dial so that the correct voltage for your region appears next to the pointer on the panel. The voltage selector is set at 240V when the unit is initially shipped. After the proper voltage has been selected, connect the AC power cord to the AC IN and an AC wall outlet. A plug adaptor may be also provided in some areas to match the pin configuration of the AC wall outlets in your area.



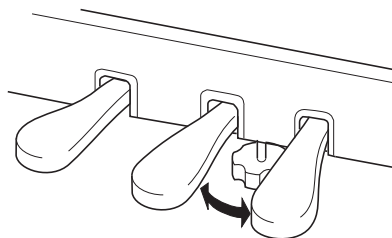
### WARNING

An improper voltage setting can cause serious damage to the instrument or result in improper operation.

- 6-2 Insert the plug of the power cord into the power connector.

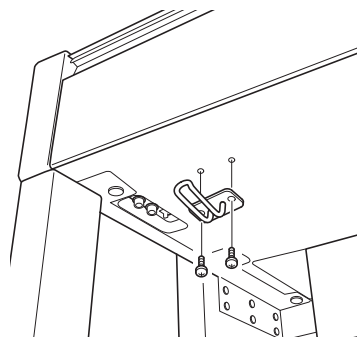
## 7. Set the adjuster.

Rotate the adjuster until the pedal box comes in firm contact with the floor surface.



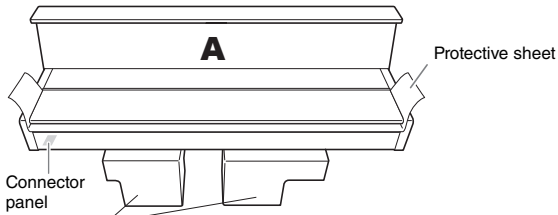
## 8. Attach the headphone hanger.

Use the included two screws (4 x 10 mm) to attach the hanger as shown in the illustration.



# CLP-S408 Assembly

Remove all parts from the package and make sure you have all of the items.

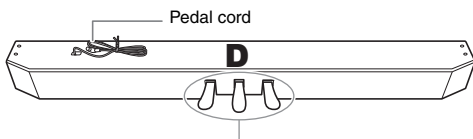
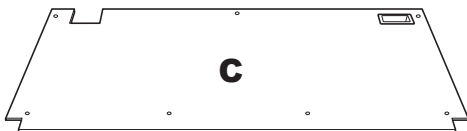


### Foamed styrol pads

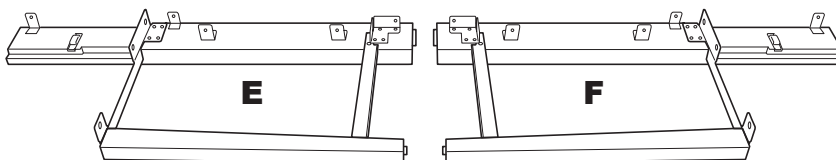
Remove foamed styrol pads from the package, position them on the floor, then place A on top of them. Position the pads so that they will not hide the connector panel on the bottom of A.

### NOTICE

Please keep the protective sheet for later use. It will be used to protect the keyboard from being scratched when the instrument is transported. The protective sheet should be spread over the entire keyboard before closing the key cover.



The pedals are covered with vinyl covers when shipped from the factory. Remove the cover from the damper pedal for optimum use of the GP Responsive Damper Pedal effect.



### Assembly parts

6 x 20 mm long screws x 10



6 x 16 mm short screws x 6



4 x 14 mm thin screws x 5



4 x 20 mm tapping screws x 5



Cord holders x 2



### Headphone hanger

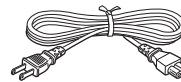
4 x 10 mm thin screws x 2



Headphone hanger



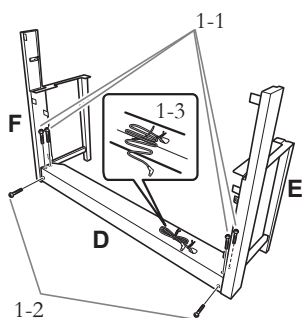
### Power cord





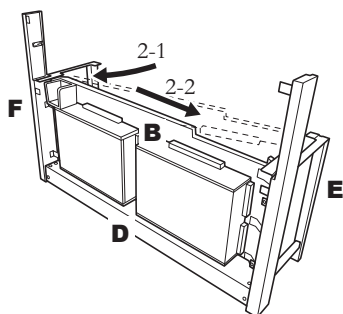
## 1. Attach D to E and F.

- 1-1 Attach D to E and F by using four long screws (6 x 20 mm).
- 1-2 Secure D from the rear using two long screws (6 x 20 mm).
- 1-3 Remove the twist tie from the folded pedal cord. Do not remove the twist tie that is located next to the hole.



## 2. Temporarily mount B.

- 2-1 Insert B between E and F as shown in the illustration.
- 2-2 Align and attach B to the front side of D, E and F.

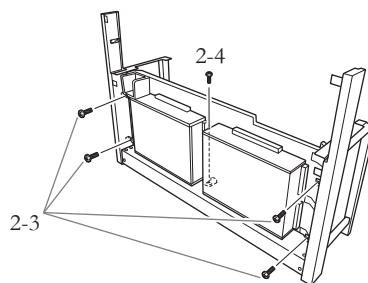


- 2-3 Temporarily secure B by finger-tightening four long screws (6 x 20mm).

\* Insert four screws into the larger holes (all four holes) on the brackets.

- 2-4 Secure B using a thin screw (4 x 14 mm).

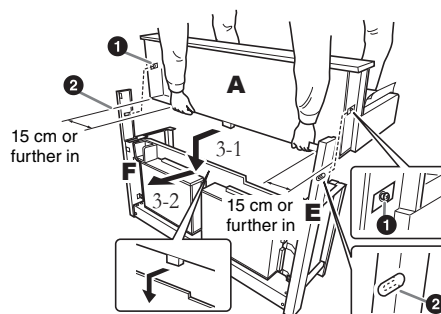
\* Insert the screw into the smaller hole on the bracket.



## 3. Mount A.

- 3-1 Place your hands at least 15 cm from either end of A to mount it.
- 3-2 Position A so that the stopper-wood on the rear side of the bottom of A will be located behind the front panel, then slide A slowly toward the rear while lightly pushing E and F toward the center.

\* Be sure to slide the guide pins ① on each side of A into the guide slots ② on E and F respectively.



### ! CAUTION

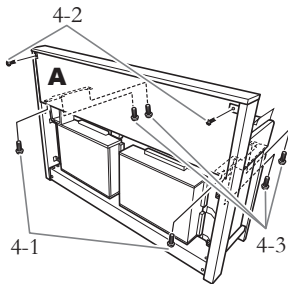
Be extra careful not to drop or let your fingers be pinched by the main unit.

### ! CAUTION

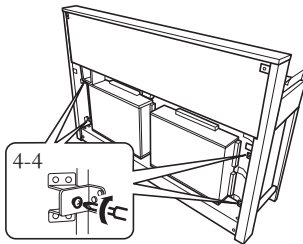
Do not hold the main unit in any position other than the position specified above.

## 4. Secure A.

- 4-1 Secure A from the rear using two short screws (6 x 16 mm).
- 4-2 Secure A from the rear using two thin screws (4 x 14 mm).
- 4-3 Secure A from the front using four short screws (6 x 16mm).

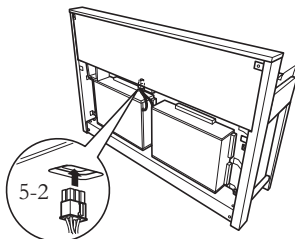


- 4-4 Firmly tighten the screws you temporarily fastened on B in steps 2-3 above.



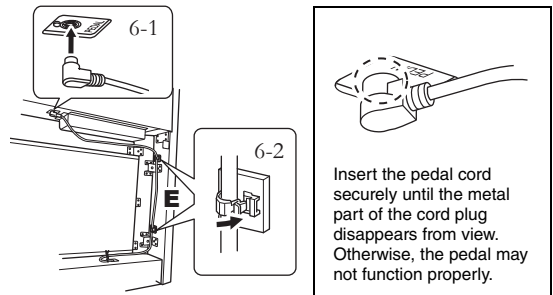
## 5. Connect the speaker cord.

- 5-1 Remove the twist tie attaching the speaker cord.
- 5-2 Insert the speaker cord plug into the connector so that the protruding tab on the plug faces toward right when viewed from the rear.



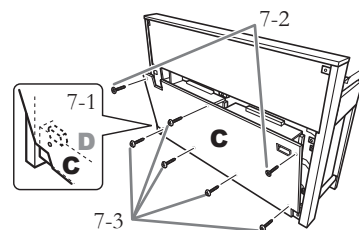
## 6. Connect the pedal cord.

- 6-1 Insert the pedal cord plug into the [PEDAL] connector.
- 6-2 Attach the cord holders to the instrument as shown, then clip the cord into the holders. At this time, be careful not to allow too much slack in the pedal cord between the plug and cord holder.



## 7. Attach C.

- 7-1 Place on D, the stopper-wood in the bottom corners of C, then attach the top of C.
- 7-2 Secure upper right and left of C using two thin screws (4 x 14 mm).
- 7-3 Secure upper center and bottom of C using five tapping screws (4 x 20 mm).



## 8. Connect the power cord.

8-1 For models that feature a voltage selector: Set the voltage selector to an appropriate voltage.

### Voltage Selector

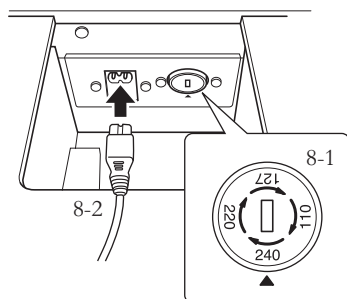
Before connecting the AC power cord, check the setting of the voltage selector which is provided in some areas. To set the selector for 110V, 127V, 220V or 240V main voltages, use a "minus" screwdriver to rotate the selector dial so that the correct voltage for your region appears next to the pointer on the panel. The voltage selector is set at 240V when the unit is initially shipped. After the proper voltage has been selected, connect the AC power cord to the AC IN and an AC wall outlet. A plug adaptor may be also provided in some areas to match the pin configuration of the AC wall outlets in your area.



### WARNING

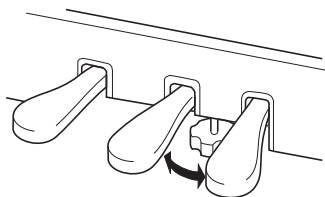
An improper voltage setting can cause serious damage to the instrument or result in improper operation.

8-2 Insert the plug of the power cord into the power connector on the rear of the unit.



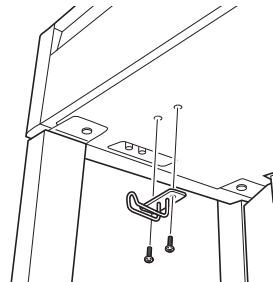
## 9. Set the adjuster.

Rotate the adjuster until the pedal box comes in firm contact with the floor surface.



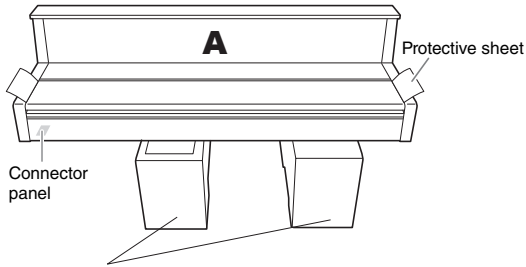
## 10. Attach the headphone hanger.

Use the included two screws (4 x 10 mm) to attach the hanger as shown in the illustration.



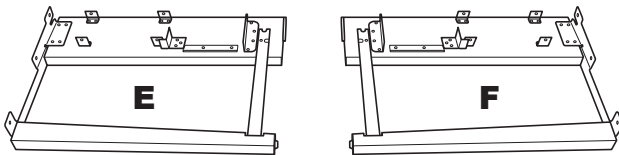
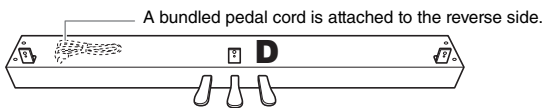
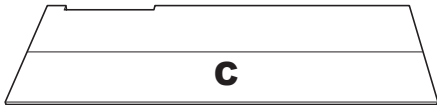
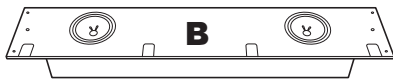
# CLP-S406 Assembly

Remove all parts from the package and make sure you have all of the items.



**Foamed styrol pads**  
Remove foamed styrol pads from the package, position them on the floor, then place A on top of them. Position the pads so that they will not hide the connector panel on the bottom of A.

**NOTICE**  
Please keep the protective sheet for later use. It will be used to protect the keyboard from being scratched when the instrument is transported. The protective sheet should be spread over the entire keyboard before closing the key cover.



## Assembly parts

6 x 25 mm long screws x 6



4 x 16 mm thin screws x 11



6 x 16 mm short screws x 6



Cord holders x 2



## Headphone hanger

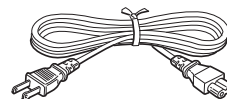
4 x 10 mm thin screws x 2



Headphone hanger



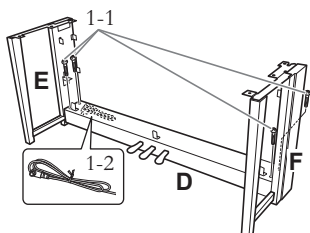
Power cord



## 1. Attach D to E and F.

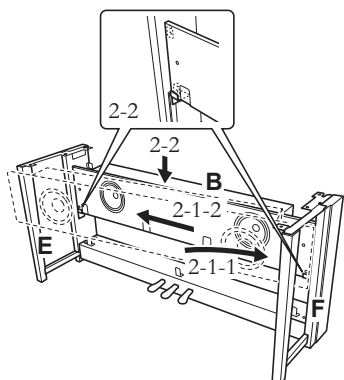
1-1 Attach D to E and F by using four long screws (6 x 25 mm).

1-2 Remove the twist tie from the folded pedal cord.



## 2. Mount B.

2-1 Insert B between E and F as shown in the illustration.

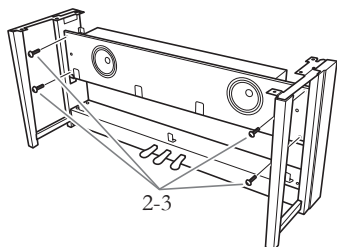


2-2 Place B onto the brackets.

2-3 Secure B using four 4 x 16mm thin screws from the front.

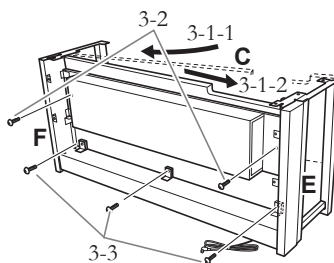


Do not touch the speakers attached to B.



## 3. Mount C.

3-1 Attach the C from the front.

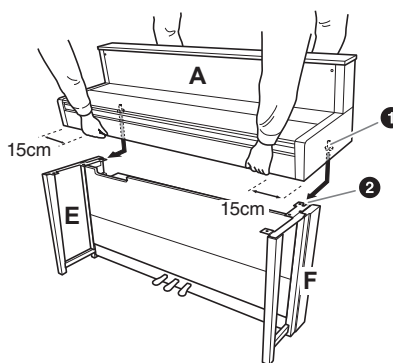


3-2 Secure upper end of C using two long screws (6 x 25 mm) from the rear.

3-3 Secure lower end of C using three thin screws (4 x 16 mm) from the rear.

## 4. Mount A.

4-1 Place your hands at least 15 cm from either end of A to mount it.



4-2 Slide the guide pins ① on each side of A into the guide slots ② on E and F respectively.



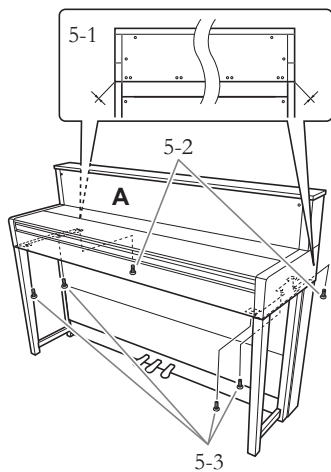
Be extra careful not to drop or let your fingers be pinched by the main unit.



Do not hold the main unit in any position other than the position specified above.

## 5. Attach A.

- 5-1 Adjust the position of A so that the left and right ends of A will project beyond E and F equally (as seen from the rear).

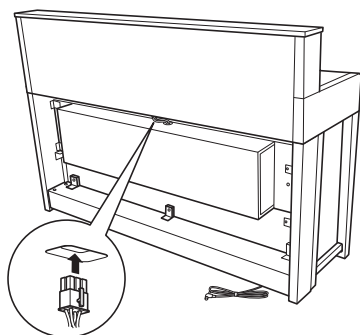


- 5-2 Secure A using two 6 x 16mm short screws from the rear.

- 5-3 Secure A using four 6 x 16mm short screws from the front.

## 6. Connect the speaker cord.

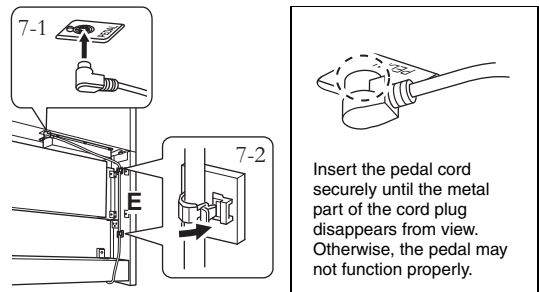
Insert the speaker cord plug into the connector so that the protruding tab on the plug faces toward right when viewed from the rear.



## 7. Connect the pedal cord.

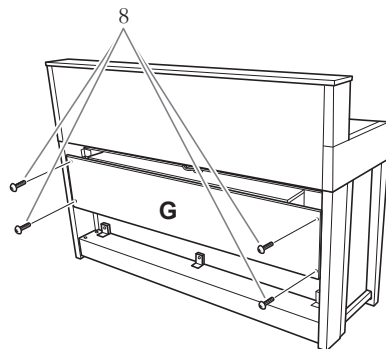
- 7-1 Insert the pedal cord plug into the [PEDAL] connector.

- 7-2 Attach the cord holders to the instrument as shown, then clip the cord into the holders. At this time, be careful not to allow too much slack in the pedal cord between the plug and cord holder.



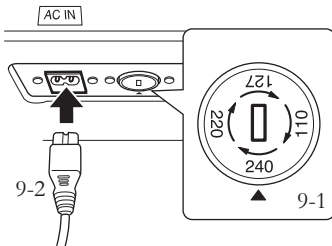
## 8. Mount G.

Secure G using four thin screws (4 x 16 mm).



## 9. Connect the power cord.

- 9-1 For models that feature a voltage selector: Set the voltage selector to an appropriate voltage.



### Voltage Selector

Before connecting the AC power cord, check the setting of the voltage selector which is provided in some areas. To set the selector for 110V, 127V, 220V or 240V main voltages, use a "minus" screwdriver to rotate the selector dial so that the correct voltage for your region appears next to the pointer on the panel. The voltage selector is set at 240V when the unit is initially shipped. After the proper voltage has been selected, connect the AC power cord to the AC IN and an AC wall outlet. A plug adaptor may be also provided in some areas to match the pin configuration of the AC wall outlets in your area.



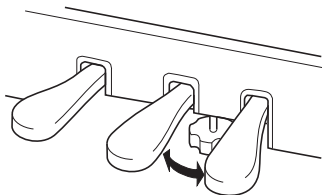
### WARNING

**An improper voltage setting can cause serious damage to the instrument or result in improper operation.**

- 9-2 Insert the plug of the power cord into the power connector on the rear of the unit.

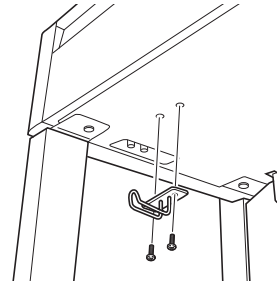
## 10. Set the adjuster to secure the pedals.

Rotate the adjuster until the pedal box comes in firm contact with the floor surface.



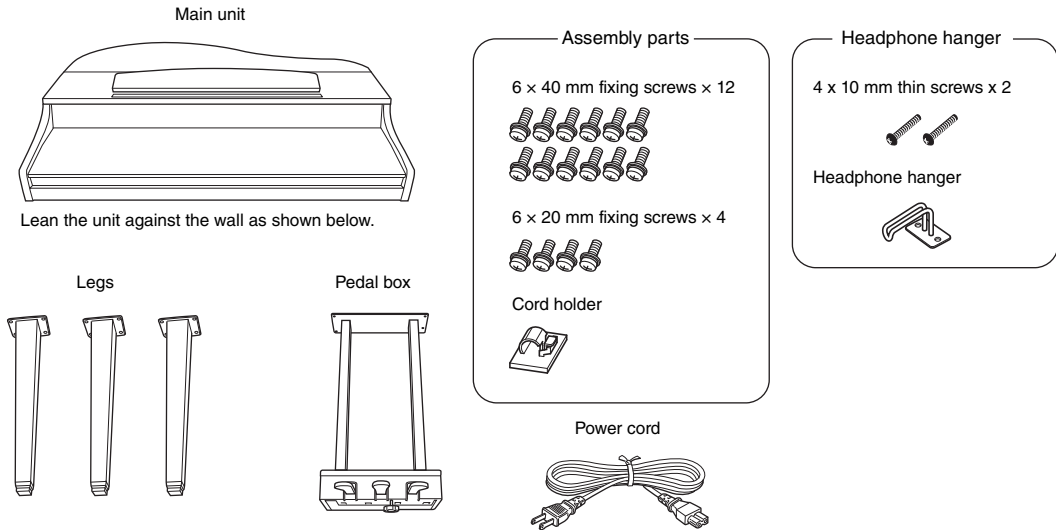
## 11. Attach the headphone hanger.

Use the included two screws (4 x 10 mm) to attach the hanger as shown in the illustration.



# CLP-465GP Assembly

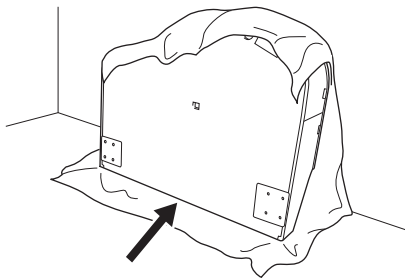
Remove all parts from the package and make sure you have all of the items.



## How to position the main unit



**CAUTION**  
Be careful not to pinch your fingers.



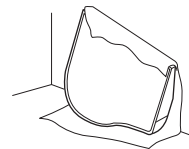
Be sure to position the keyboard side on the bottom.

Spread a large soft cloth, such as a blanket, on the floor. Place the unit on the cloth with the key cover closed and the keyboard side on the bottom and lean the unit against the wall so that the unit will not fall or slip. Place a soft cloth against the wall to protect the instrument and the wall from scratches.



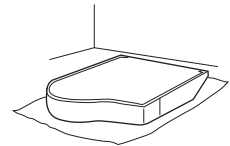
**CAUTION**  
Do not place the main unit with the rear side facing down.

**Incorrect**



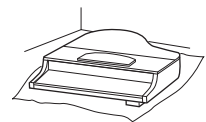
**CAUTION**  
Do not lay the main unit upside down on the floor.

**Incorrect**



**CAUTION**  
Do not position the main unit so that its bottom is in contact with floor.

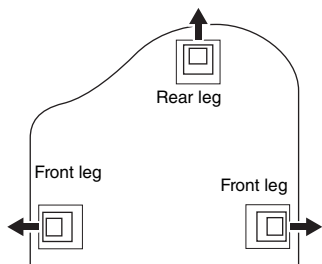
**Incorrect**



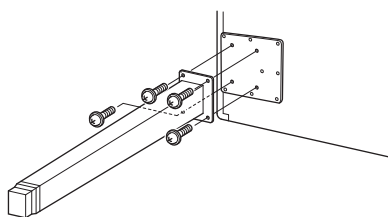


## 1. Attach two front legs and a rear leg.

Refer to the diagram below to verify the orientation of the legs.

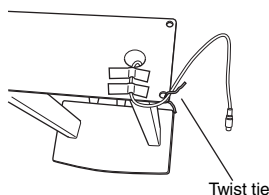


Install and tighten four 6 x 40 mm screws on each leg, starting with one of the front legs.

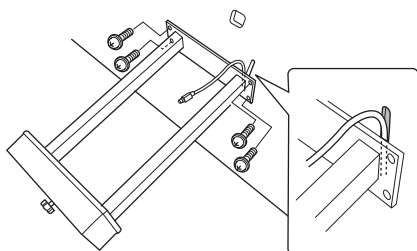


## 2. Install the pedal box.

2-1 Remove the twist tie that affixes the pedal cord to the upper portion of the pedal box

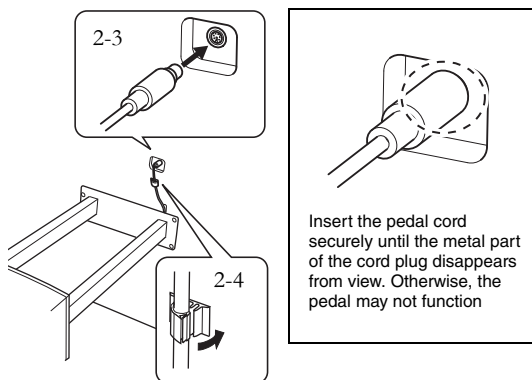


2-2 Align the cord with the groove on the unit, and attach the pedal box using four 6 x 20 mm screws.



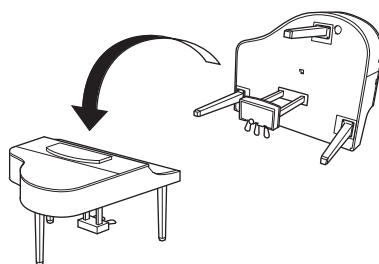
2-3 Insert the pedal cord plug into the pedal connector. Insert the plug so the arrow side faces front (toward the keyboard). If the plug will not go in easily, do not force it. Double-check the orientation of the plug, then try again.

2-4 Attach the cord holder on the unit as shown in the illustration below, then use the cord holder to affix the pedal cord.



## 3. Raising the unit to the standing position.

Use the front legs as support to raise the unit.

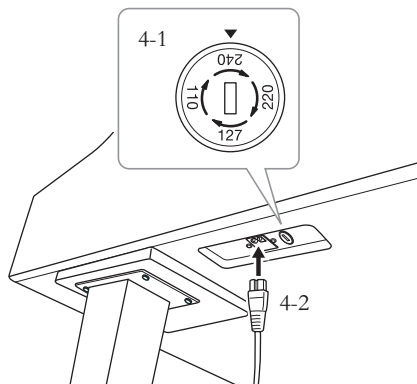


### ! CAUTION

Be careful not to pinch your fingers. When you raise the unit, do not hold the key cover.

## 4. Connect the power cord.

- 4-1 For models that feature a voltage selector:  
Set the voltage selector to an appropriate voltage.
- 4-2 Insert the AC power cord plug into the power connector.



Right leg on the bottom of the main unit, when viewed from front

### Voltage Selector

Before connecting the AC power cord, check the setting of the voltage selector which is provided in some areas. To set the selector for 110V, 127V, 220V or 240V main voltages, use a "minus" screwdriver to rotate the selector dial so that the correct voltage for your region appears next to the pointer on the panel. The voltage selector is set at 240V when the unit is initially shipped.

After the proper voltage has been selected, connect the AC power cord to the [AC INLET] and an AC wall outlet. A plug adaptor may be also provided in some areas to match the pin configuration of the AC wall outlets in your area.

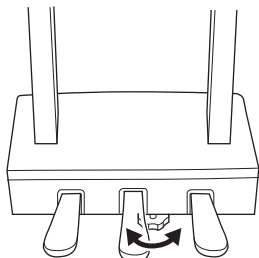


### WARNING

An improper voltage setting can cause serious damage to the instrument or result in improper operation.

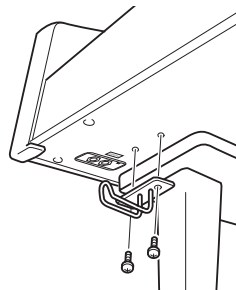
## 5. Set the adjuster.

Rotate the adjuster until it comes in firm contact with the floor surface



## 6. Attach the headphone hanger.

Use the included two screws (4 x 10 mm) to attach the hanger as shown in the illustration.



# Specifications

		CLP-470	CLP-440	CLP-430	CLP-S408	CLP-S406	CLP-465GP
<b>Size/Weight</b>	Width [For models with polished finish]	1420mm (55-7/16") [1424mm] (56-1/16")			[1449mm (57-1/16")]	1407mm (55-3/8")	[1429mm (56-1/4")]
	Height [For models with polished finish]	907mm (35-11/16") [909mm (35-13/16")]			[977mm (38-7/16")]	975mm (38-3/8")	[930mm (36-5/8")]
	Height with music rest [For models with polished finish]	1076mm (42-3/8") [1077mm] (42-3/8")		1061mm (41 3/4") [1062mm (41-13/16")]	—		[1102mm (43-3/8")]
	Height with lid up	—					1402mm (55-3/16")
	Depth	513mm (20-3/16")			431mm (17")	438mm (17-1/4")	1146mm (45-1/8")
	Weight [For models with polished finish]	74.0kg (163lbs., 2oz.) [80.0kg (176lbs., 6oz.)]	66.0kg (145lbs., 8oz.) [71.0kg (156lbs., 8oz.)]	60.5kg (133lbs., 6oz.) [65.5kg (144lbs., 6oz.)]	[77.5kg (170lbs., 14oz.)]	69.5kg (153lbs., 4oz.)	[100kg (220lbs., 7oz.)]
<b>Control Interface</b>	Number of Keys	88					
	Keyboard Type	NW (Natural Wood) with Synthetic ivory keytops (with real-wood white keys)	GH3 (Graded Hammer 3) with Synthetic ivory keytops	GH3 (Graded Hammer 3)	NW (Natural Wood) with Synthetic ivory keytops (with real-wood white keys)	GH3 (Graded Hammer 3) with Synthetic ivory keytops	GH3 (Graded Hammer 3)
	Linear Graded Hammer	Yes	—		Yes	—	
	Touch Sensitivity	Yes					
	Number of Pedals	3 (Damper, Sostenuto, Soft)					
	Half Pedal	Yes (Damper)					
	GP Responsive Damper Pedal	Yes	—		Yes	—	
	Display Type	7-Segment LED					
	Panel Language	English					
<b>Cabinet</b>	Key Cover Style	Sliding			Folding		Sliding
	Music Rest	Yes					
	Music Braces	Yes	—			Yes	
<b>Voices/Tone Generation</b>	Tone Generation Technology	Real Grand Expression (RGE)					
	Piano Tone Generation Effects	Smooth Release	Yes				
		Sustain Samples	Yes	—		Yes	—
		Key-off Samples	Yes	—		Yes	—
		String Resonance	Yes	—		Yes	—
	Number of Polyphony (Max.)	256		128	256		128
Number of Voices	14 x 2 variations		14	14 x 2 variations		14	
<b>Effects/Functions</b>	Brilliance	5					
	Reverb	4					
	Effect	4					
	Dual	Yes					
	Split	Yes	—		Yes	—	
	Intelligent Acoustic Control	Yes					

			CLP-470	CLP-440	CLP-430	CLP-S408	CLP-S406	CLP-465GP
<b>Recording/Playback (MIDI Songs)</b>	Recording	Number of Songs	10					
		Number of Tracks	2					
		Data Capacity (max.)	approx. 1.5 MB (approx. 550KB/Song)					
	Playback	Data Capacity (max.)	approx. 550KB/Song					
		Preset	Number of Preset Songs	50				
	Data Format	Recording	SMF (Format 0)					
Playback		SMF (Format 0, Format 1), ESEQ						
<b>Recording/Playback (Audio Songs)</b>	Length of Recording/Playback (max.)		80 minutes/song					
	Data Format		.wav (44.1 kHz sample rate, 16 bit resolution, stereo)					
<b>Overall Controls</b>	Metronome		Yes					
	Tempo Range		5 – 500					
	Transpose		-12 to 0, 0 to +12					
	Tuning		Yes					
	Scale Type		7 types					
<b>Storage</b>	Internal Memory		approx. 1.5 MB					
	External Device		USB Storage Device (optional)					
<b>Connectors</b>	Headphones		x 2					
	MIDI		[IN][OUT][THRU]					
	AUX IN		[L/L+R][R]					
	AUX OUT		[L/L+R][R]					
	[USB TO DEVICE]		Yes					
	USB [TO HOST]		Yes					
<b>Amplifiers/Speakers</b>	Amplifiers		40W x 2	30W x 2	40W x 2			
	Speakers		(16cm + 5cm) x 2	16cm x 2	(16cm + 5cm) x 2			
<b>Accessories</b>	Included Accessories		Owner's Manual, "50 greats for the Piano" (Music Book), AC Power Cord, Bench (included or optional depending on locale), My Yamaha Product User Registration					

\* Specifications and descriptions in this owner's manual are for information purposes only. Yamaha Corp. reserves the right to change or modify products or specifications at any time without prior notice. Since specifications, equipment or options may not be the same in every locale, please check with your Yamaha dealer.

## Options (May not be available depending on your locale.)

### BC-100 Bench

A comfortable bench styled to match your Yamaha Clavinova.

### HPE-160 Stereo Headphones

High-performance lightweight dynamic headphones with extra-soft ear pads.

# Index

<b>A</b>		
A-B Repeat .....	33	
Accessories .....	7	
Adjusting the tempo (MIDI Songs) .....	31	
Assembly .....	69	
Audio conversion .....	41	
Audio Recording .....	34	
Audio Song .....	29	
<b>B</b>		
Backup (Save/Load) .....	60	
Backup settings .....	59	
Base Note .....	53	
BRILLIANCE .....	24	
<b>C</b>		
Character Code .....	60	
Computer .....	48	
Connections .....	45	
Convert .....	41	
Copy .....	42	
<b>D</b>		
Damper Resonance .....	56	
Default Setting List .....	67	
Default Settings .....	61	
Delete (Internal memory) .....	37	
Delete (USB storage device) .....	43	
Demo .....	22	
Display → Message .....	62	
Drive (Memory location) .....	29	
Dual mode .....	26, 54	
<b>E</b>		
EFFECT .....	25	
Effect (Dual) .....	54	
Effect (Split) .....	55	
External Song .....	29	
<b>F</b>		
Fast forward .....	31	
File mode .....	40	
Format (USB storage device) .....	44	
<b>G</b>		
GP Responsive Damper Pedal .....	18	
<b>H</b>		
Half-pedal .....	18	
Headphone Hanger .....	17	
Headphones .....	17	
<b>I</b>		
I.A. Control .....	16	
Initialize (Factory reset) .....	61	
Intelligent Acoustic Control .....	16	
<b>K</b>		
Key Cover .....	12	
Key-off Sample .....	56	
<b>L</b>		
Lid .....	14	
<b>M</b>		
Maintenance .....	21	
Message .....	62	
Metronome .....	20	
MIDI Basics .....	7	
MIDI Data Format .....	7	
MIDI Functions .....	57	
MIDI Recording .....	34	
MIDI Song .....	29	
Music Braces .....	14	
Music Rest .....	13	
Musicsoft Downloader .....	49	
<b>P</b>		
Part (Playback) .....	32	
Part (Recording) .....	36	
Pause .....	31	
Pedal .....	18, 56	
Pedal Play/Pause .....	56	
Piano demo .....	23	
Pitch .....	25	
Power .....	15	
Preset Song .....	29	
<b>R</b>		
Recorded data .....	38	
Recording .....	34	
Repeat (Song) .....	33	
REVERB .....	24	
Rewind .....	31	
<b>S</b>		
Scale .....	53	
Song .....	29	
Split mode .....	27, 55	
String Resonance .....	56	
Sustain Sample .....	56	
Sync Start .....	32	
<b>T</b>		
Tempo (Metronome) .....	20	
Time signature .....	20	
Touch Sensitivity .....	19	
Transposition .....	25	
Troubleshooting .....	63	
Tuning .....	53	

## U

USB Storage Device .....	47
User Song .....	29

## V

VARIATION .....	22
Voice .....	22
Voice Demo .....	22
Voices (Dual) .....	26
Volume .....	16
Volume (Audio playback) .....	57
Volume (Dual) .....	54
Volume (Metronome) .....	57
Volume (Split) .....	55

### Information for Users on Collection and Disposal of Old Equipment



This symbol on the products, packaging, and/or accompanying documents means that used electrical and electronic products should not be mixed with general household waste. For proper treatment, recovery and recycling of old products, please take them to applicable collection points, in accordance with your national legislation and the Directives 2002/96/EC.

By disposing of these products correctly, you will help to save valuable resources and prevent any potential negative effects on human health and the environment which could otherwise arise from inappropriate waste handling.

For more information about collection and recycling of old products, please contact your local municipality, your waste disposal service or the point of sale where you purchased the items.

[For business users in the European Union]

If you wish to discard electrical and electronic equipment, please contact your dealer or supplier for further information.

[Information on Disposal in other Countries outside the European Union]

This symbol is only valid in the European Union. If you wish to discard these items, please contact your local authorities or dealer and ask for the correct method of disposal.

(weee\_eu)

The name plate of this product may be found on the bottom of the unit. The serial number of this product may be found on or near the name plate. You should note this serial number in the space provided below and retain this manual as a permanent record of your purchase to aid identification in the event of theft.

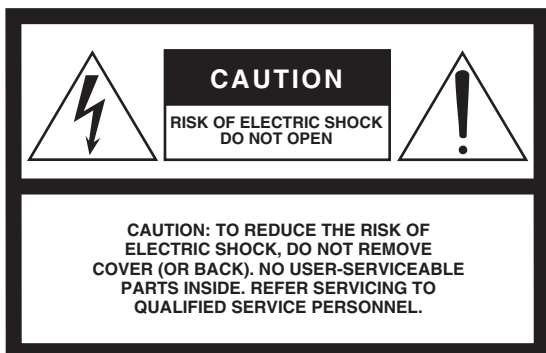
**Model No.**

---

**Serial No.**

---

(bottom)



The above warning is located on the bottom of the unit.

## Explanation of Graphical Symbols



The lightning flash with arrowhead symbol within an equilateral triangle is intended to alert the user to the presence of uninsulated “dangerous voltage” within the product’s enclosure that may be of sufficient magnitude to constitute a risk of electric shock to persons.



The exclamation point within an equilateral triangle is intended to alert the user to the presence of important operating and maintenance (servicing) instructions in the literature accompanying the product.

# IMPORTANT SAFETY INSTRUCTIONS

- 1 Read these instructions.
- 2 Keep these instructions.
- 3 Heed all warnings.
- 4 Follow all instructions.
- 5 Do not use this apparatus near water.
- 6 Clean only with dry cloth.
- 7 Do not block any ventilation openings. Install in accordance with the manufacturer’s instructions.
- 8 Do not install near any heat sources such as radiators, heat registers, stoves, or other apparatus (including amplifiers) that produce heat.
- 9 Do not defeat the safety purpose of the polarized or grounding-type plug. A polarized plug has two blades with one wider than the other. A grounding type plug has two blades and a third grounding prong. The wide blade or the third prong are provided for your safety. If the provided plug does not fit into your outlet, consult an electrician for replacement of the obsolete outlet.
- 10 Protect the power cord from being walked on or pinched particularly at plugs, convenience receptacles, and the point where they exit from the apparatus.
- 11 Only use attachments/accessories specified by the manufacturer.

- 12 Use only with the cart, stand, tripod, bracket, or table specified by the manufacturer, or sold with the apparatus. When a cart is used, use caution when moving the cart/apparatus combination to avoid injury from tip-over.



- 13 Unplug this apparatus during lightning storms or when unused for long periods of time.
- 14 Refer all servicing to qualified service personnel. Servicing is required when the apparatus has been damaged in any way, such as power-supply cord or plug is damaged, liquid has been spilled or objects have fallen into the apparatus, the apparatus has been exposed to rain or moisture, does not operate normally, or has been dropped.

### WARNING

TO REDUCE THE RISK OF FIRE OR ELECTRIC SHOCK, DO NOT EXPOSE THIS APPARATUS TO RAIN OR MOISTURE.

(UL60065\_03)



# Important Notice: Guarantee Information for customers in European Economic Area (EEA) and Switzerland

<b>Important Notice: Guarantee Information for customers in EEA* and Switzerland</b>	<b>English</b>
For detailed guarantee information about this Yamaha product, and Pan-EEA* and Switzerland warranty service, please either visit the website address below (Printable file is available at our website) or contact the Yamaha representative office for your country (next page). * EEA: European Economic Area	
<b>Wichtiger Hinweis: Garantie-Information für Kunden in der EWR* und der Schweiz</b>	<b>Deutsch</b>
Für nähere Garantie-Information über dieses Produkt von Yamaha, sowie über den Pan-EWR*- und Schweizer Garantieservice, besuchen Sie bitte entweder die folgend angegebene Internetadresse (eine druckfähige Version befindet sich auch auf unserer Webseite), oder wenden Sie sich an den für Ihr Land zuständigen Yamaha-Vertrieb (nächste Seite). *EWR: Europäischer Wirtschaftsraum	
<b>Remarque importante: informations de garantie pour les clients de l'EEE et la Suisse</b>	<b>Français</b>
Pour des informations plus détaillées sur la garantie de ce produit Yamaha et sur le service de garantie applicable dans l'ensemble de l'EEE ainsi qu'en Suisse, consultez notre site Web à l'adresse ci-dessous (le fichier imprimable est disponible sur notre site Web) ou contactez directement Yamaha dans votre pays de résidence (page suivante). * EEE : Espace Economique Européen	
<b>Belangrijke mededeling: Garantie-informatie voor klanten in de EER* en Zwitserland</b>	<b>Nederlands</b>
Voor gedetailleerde garantie-informatie over dit Yamaha-product en de garantieservice in heel de EER* en Zwitserland, gaat u naar de onderstaande website (u vind een afdrukbaar bestand op onze website) of neemt u contact op met de vertegenwoordiging van Yamaha in uw land (volgende pagina). * EER: Europese Economische Ruimte	
<b>Aviso importante: información sobre la garantía para los clientes del EEE* y Suiza</b>	<b>Español</b>
Para una información detallada sobre este producto Yamaha y sobre el soporte de garantía en la zona EEE* y Suiza, visite la dirección web que se incluye más abajo (la versión del archivo para imprimir esta disponible en nuestro sitio web) o póngase en contacto con el representante de Yamaha en su país (página siguiente). * EEE: Espacio Económico Europeo	
<b>Avviso importante: informazioni sulla garanzia per i clienti residenti nell'EEA* e in Svizzera</b>	<b>Italiano</b>
Per informazioni dettagliate sulla garanzia relativa a questo prodotto Yamaha e l'assistenza in garanzia nei paesi EEA* e in Svizzera, potete consultare il sito Web all'indirizzo riportato di seguito (è disponibile il file in formato stampabile) oppure contattare l'ufficio di rappresentanza locale della Yamaha (pagina seguente). * EEA: Area Economica Europea	
<b>Aviso importante: informações sobre as garantias para clientes da AEE* e da Suíça</b>	<b>Português</b>
Para obter uma informação pormenorizada sobre este produto da Yamaha e sobre o serviço de garantia na AEE* e na Suíça, visite o site a seguir (o arquivo para impressão está disponível no nosso site) ou entre em contato com o escritório de representação da Yamaha no seu país (próxima página). * AEE: Área Económica Europeia	
<b>Σημαντική σημείωση: Πληροφορίες εγγύησης για τους πελάτες στον ΕΟΧ* και Ελλάδα</b>	<b>Ελληνικά</b>
Για λεπτομερείς πληροφορίες εγγύησης σχετικά με το προϊόν προϊόν της Yamaha και την κάλυψη εγγύησης σε όλες τις χώρες του ΕΟΧ και την Ελλάδα, επισκεφτείτε την παρακάτω ιστοσελίδα (Εκτυπώσιμη μορφή είναι διαθέσιμη στην ιστοσελίδα μας) ή απευθυνθείτε στην αντιπροσωπεία της Yamaha στη χώρα σας (επόμενη σελίδα). * ΕΟΧ: Ευρωπαϊκός Οικονομικός Χώρος	
<b>Viktigt: Garantiinformation för kunder i EES-området* och Schweiz</b>	<b>Svenska</b>
För detaljerad information om denna Yamahaprodukt samt garantiservice i hela EES-området* och Schweiz kan du antingen besöka nedanstående webbadress (en utskriftsvänlig fil finns på webbplatsen) eller kontakta Yamahas officiella representant i ditt land (nästa sida). * EES: Europeiska Ekonomiska Samarbetsområdet	
<b>Viktig merknad: Garantiinformasjon for kunder i EØS* og Sveits</b>	<b>Norsk</b>
Detaljert garantiinformasjon om dette Yamaha-produktet og garantiservice for hele EØS-området* og Sveits kan fås enten ved å besøke nettstedene nedenfor (utskriftsversjon finnes på våre nettsider) eller kontakte kontakke Yamaha-kontoret i landet der du bor (neste side). *EØS: Det europeiske økonomiske samarbeidsområdet	
<b>Vigtig oplysning: Garantioplysninger til kunder i EØO* og Schweiz</b>	<b>Dansk</b>
De kan finde detaljerede garantioplysninger om dette Yamaha-produkt og den fælles garantiserviceordning for EØO* (og Schweiz) ved at besøge det websted, der er angivet nedenfor (der findes en fil, som kan udskrives, på vores websted), eller ved at kontakte Yamahas nationale repræsentationskontor i det land, hvor De bor (næste side). * EØO: Det Europæiske Økonomiske Område	
<b>Tärkeä ilmoitus: Takuutiedot Euroopan talousalueen (ETA)* ja Sveitsin asiakkaille</b>	<b>Suomi</b>
Tämän Yamaha-tuotteen sekä ETA-alueen ja Sveitsin takuuta koskevat yksityiskohtaiset tiedot saatalla alle olevasta nettiosoitteesta. (Tulostettava tiedosto saatavissa sivustollamme.) Voitte myös ottaa yhteyttä paikalliseen Yamaha-edustajaan (seuraavalla sivulla). *ETA: Euroopan talousalue	
<b>Ważne: Warunki gwarancyjne obowiązujące w EOG* i Szwajcarii</b>	<b>Polski</b>
Aby dowiedzieć się więcej na temat warunków gwarancyjnych tego produktu firmy Yamaha i serwisu gwarancyjnego w całym EOG* i Szwajcarii, należy odwiedzić wskazaną poniżej stronę internetową (Plik gotowy do wydruku znajduje się na naszej stronie internetowej) lub skontaktować się z przedstawicielstwem firmy Yamaha w swoim kraju (następna strona). * EOG — Europejski Obszar Gospodarczy	
<b>Důležité oznámení: Záruční informace pro zákazníky v EHS* a ve Švýcarsku</b>	<b>Česky</b>
Podrobné záruční informace o tomto produktu Yamaha a záručním servisu v celém EHS* a ve Švýcarsku naleznete na níže uvedené webové adrese (soubor k tisku je dostupný na našich webových stránkách) nebo se můžete obrátit na zastoupení firmy Yamaha ve své zemi (další stránka). * EHS: Evropský hospodářský prostor	
<b>Fontos figyelmeztetés: Garancia-információk az EGT* területén és Svájcban élő vásárlók számára</b>	<b>Magyar</b>
A jelen Yamaha termékre vonatkozó részletes garancia-információk, valamint az EGT*-re és Svájcra kiterjedő garanciális szolgáltatás tekintetében keresse fel webhelyünket az alábbi címen (a webhelyen nyomtatható fájl is talál), vagy pedig lépjen kapcsolatba az országában működő Yamaha képviselői irodával (következő oldal). * EGT: Európai Gazdasági Térség	
<b>Oluline märkus: Garantiiteave Euroopa Majanduspiirkonna (EMP)* ja Šveitsi klientidele</b>	<b>Eesti keel</b>
Täpsema teabe saamiseks selle Yamaha toote garantii ning kogu Euroopa Majanduspiirkonna ja Šveitsi garantiiteeninduse kohta, külastage palun veebisaiti alljärgneval aadressil (meie saidil on saadaval printitav fail) või pöörduge Teie regiooni Yamaha esinduse poole (järgmine lehekülg). * EMP: Euroopa Majanduspiirkond	
<b>Svarīgs paziņojums: garantijas informācija klientiem EEZ* un Šveicē</b>	<b>Latviešu</b>
Lai saņemtu detalizētu garantijas informāciju par šo Yamaha produktu, kā arī garantijas apkalpošanu EEZ* un Šveicē, lūdzam, apmeklējiet zemāk norādīto tīmekļa vietnes adresi (tīmekļa vietnē ir pieejams drukājams fails) vai sazinieties ar Jūsu valsti apkalpojošo Yamaha pārstāvnīcību (nākamā lappuse). * EEZ: Eiropas Ekonomikas zona	
<b>Dėmesio: informacija dėl garantijos pirkėjams EEE* ir Šveicarijoje</b>	<b>Lietuvių kalba</b>
Jei reikia išsamioms informacijos apie šį „Yamaha“ produktą ir jo techninę priežiūrą visoje EEE* ir Šveicarijoje, apsilankykite mūsų svetainėje toliau nurodytu adresu (svetainėje yra prausdintinas failas) arba kreipkitės į „Yamaha“ atstovybę savo šaliai (kitas puslapis). *EEE – Europos ekonominė erdvė	
<b>Dôležité upozornenie: Informácie o záruke pre zákazníkov v EHP* a Švajčiarsku</b>	<b>Slovenčina</b>
Podrobné informácie o záruke týkajúce sa tohto produktu od spoločnosti Yamaha a garančnom servise v EHP* a Švajčiarsku nájdete na webovej stránke uvedenej nižšie (na našej webovej stránke je k dispozícii súbor na tlač) alebo sa obráťte na zástupcu spoločnosti Yamaha vo svojej krajine (nasledujúca strana). * EHP: Európsky hospodársky priestor	
<b>Pomembno obvestilo: Informacije o garanciji za kupce v EGP* in Švici</b>	<b>Slovenščina</b>
Za podrobnejše informacije o tem Yamahinem izdelku ter garancijskem servisu v celotnem EGP in Švici, obiščite spletno mesto, ki je navedeno spodaj (natisljiva datoteka je na voljo na našem spletnem mestu), ali se obrnite na Yamahinega predstavnika v svoji državi (naslednja stran). * EGP: Evropski gospodarski prostor	
<b>Важно съобщение: Информация за гаранцията за клиенти в ЕИП* и Швейцария</b>	<b>Български език</b>
За подробна информация за гаранцията за този продукт на Yamaha и гаранционното обслужване в паневропейската зона на ЕИП* и Швейцария или посетете посочения по-долу уеб сайт (на нашия уеб сайт има файл за печат), или се свържете с представителния офис на Yamaha във вашата страна (следваща страница). * ЕИП: Европейско икономическо пространство	
<b>Notificare importantă: Informații despre garanție pentru clienții din SEE* și Elveția</b>	<b>Limba română</b>
Pentru informații detaliate privind acest produs Yamaha și serviciul de garanție Pan-SEE* și Elveția, vizitați site-ul la adresa de mai jos (fișierul imprimabil este disponibil pe site-ul nostru) sau contactați biroul reprezentanței Yamaha din țara dumneavoastră (pagina următoare). * SEE – Spațiul Economic European	

<http://europe.yamaha.com/warranty/>

# Yamaha Representative Offices in Europe

## AUSTRIA

Yamaha Music Europe GmbH  
Branch Austria  
Schleiergasse 20, A-1100 Wien Austria  
Tel: +43 (0)1 602 03900  
Fax: +43 (0)1 602 039051

## BELGIUM

Yamaha Music Europe  
Branch Benelux  
Clarissenhof 5b NL, 4133 AB. Vianen  
The Netherlands  
Tel: +31 (0)347 358040  
Fax: +31 (0)347 358060

## BULGARIA

Yamaha Music Europe GmbH  
Branch Austria (Central and Eastern Europe)  
Schleiergasse 20, A-1100 Wien Austria  
Tel: +43 (0)1 602 03900  
Fax: +43 (0)1 602 039051

## CYPRUS

NAKAS Music Cyprus Ltd.  
31C Nikis Ave., 1086 Nicosia  
Tel: +357 (0)22 510 477  
Fax: +357 (0)22 511 080

## CZECH REPUBLIC

Yamaha Music Europe GmbH  
Branch Austria (Central and Eastern Europe)  
Schleiergasse 20, A-1100 Wien Austria  
Tel: +43 (0)1 602 03900  
Fax: +43 (0)1 602 039051

## DENMARK

YS Copenhagen Liaison Office  
(Yamaha Scandinavia AB Filial Denmark)  
Generatorvej 6A, 2730 Herlev, Denmark  
Tel: +45 44 92 49 00  
Fax: +45 44 54 47 09

## ESTONIA

Yamaha Music Europe GmbH  
Sp. z o.o. Oddział w Polsce  
(Branch Poland)  
ul. 17 Stycznia 56  
PL-02-146 Warszawa Poland  
Tel: +48 (0)22 500 29 25  
Fax: +48 (0)22 500 29 30

## FINLAND

(For Musical Instrument)  
F - Musiikki OY  
Kaisaniemenkatu 7, PL260  
00101 Helsinki, Finland  
Tel: +358 (0)9 618511  
Fax: +358 (0)9 61851385

(For Pro Audio)

Yamaha Scandinavia AB  
J A Wettergrens gata 1  
Västra Frölunda, Sweden  
(Box 300 53, 400 43 Goteborg  
Sweden - Postal Address)  
Tel: +46 (0)31 893400  
Fax: +46 (0)31 454026

## FRANCE

Yamaha Musique France  
Zone d'activité de Pariest  
7, rue Ambroise Croizat  
77183 Croissy-Beaubourg, France  
(B.P. 70, 77312 Marne la Vallée Cedex 2  
France-Adresse postale)  
Tel: +33 (0)1 64 61 4000  
Fax: +33 (0)1 64 61 4079

## GERMANY

Yamaha Music Europe GmbH  
Siemensstr 22-34  
D-25462 Rellingen, b. Hamburg, Germany  
Tel: +49 (0)4101 3030  
Fax: +49 (0)4101 303 77702

## GREECE

PH. Nakas S.A.Music House/Service  
19 KM Leoforos Lavriou  
19002 Peania / Attiki, Greece  
Tel: +30 (0)210 6686260  
Fax: +30 (0)210 6686269

## HUNGARY

Yamaha Music Europe GmbH  
Branch Austria (Central and Eastern Europe)  
Schleiergasse 20, A-1100 Wien Austria  
Tel: +43 (0)1 602 03900  
Fax: +43 (0)1 602 039051

## ICELAND

(For Musical Instrument)  
HLJODFAERAHUSID EHF  
Sidumula 20  
108 Reykjavik, Iceland  
Tel: +354 525 50 50  
Fax: +354 568 65 14

(For Pro Audio)

Yamaha Scandinavia AB  
J A Wettergrens gata 1  
Västra Frölunda, Sweden  
(Box 300 53, 400 43 Goteborg  
Sweden - Postal Address)  
Tel: +46 (0)31 893400  
Fax: +46 (0)31 454026

## IRELAND (REPUBLIC OF IRELAND)

Yamaha Music UK Ltd.  
Sherbourne Drive  
Tilbrook, Milton Keynes MK7 8BL  
United Kingdom  
Tel: +353 (0) 1526 2449  
Fax: +44 (0) 1908 369278

## ITALY

Yamaha Musica Italia s.p.a.  
Viale Italia 88  
20020, Lainate (Milano), Italy  
Tel: +39 (0)02 93577 1  
Fax: +39 (0)02 937 0956

## LATVIA

Yamaha Music Europe GmbH  
Sp. z o.o. Oddział w Polsce  
(Branch Poland)  
ul. 17 Stycznia 56  
PL-02-146 Warszawa Poland  
Tel: +48 (0)22 500 29 25  
Fax: +48 (0)22 500 29 30

## LIECHTENSTEIN

Yamaha Music Europe GmbH, Rellingen,  
Branch Switzerland in Zurich  
Seefeldstrasse 94, CH-8008  
Zürich, Switzerland  
Tel: +41 (0)44 3878080  
Fax: +41 (0)44 3833918

## LITHUANIA

Yamaha Music Europe GmbH  
Sp. z o.o. Oddział w Polsce  
(Branch Poland)  
ul. 17 Stycznia 56  
PL-02-146 Warszawa Poland  
Tel: +48 (0)22 500 29 25  
Fax: +48 (0)22 500 29 30

## LUXEMBOURG

Yamaha Music Europe  
Branch Benelux  
Clarissenhof 5b NL, 4133 AB. Vianen  
The Netherlands  
Tel: +31 (0)347 358040  
Fax: +31 (0)347 358060

## MALTA

Olimpus Music Ltd.  
The Emporium, Level 3, St. Louis Street  
Msida MSD06  
Tel: +356 (0)2133 2093  
Fax: +356 (0)2133 2144

## NETHERLANDS

Yamaha Music Europe  
Branch Benelux  
Clarissenhof 5b NL, 4133 AB. Vianen  
The Netherlands  
Tel: +31 (0)347 358040  
Fax: +31 (0)347 358060

## NORWAY

YS Oslo Liaison Office  
(Yamaha Scandinavia AB Filial Norway)  
Grini Naeringspark 1  
1361 Osteras, Norway  
Tel: +47 67 16 77 70  
Fax: +47 67 16 77 79

## POLAND

YAMAHA Music Europe GmbH  
Sp. z o.o. Oddział w Polsce  
ul. 17 Stycznia 56  
02-146 WARSZAWA/POLSKA  
Tel: +48 (0)22 500 29 25  
Fax: +48 (0)22 500 29 30

## PORTUGAL

Yamaha Música Ibérica, S.A.U.  
Sucursal Portuguesa  
Rua Alfredo da Silva  
2610-016 Amadora, Portugal  
Tel: +351 214 704 330  
Fax: +351 214 718 220

## ROMANIA

Yamaha Music Europe GmbH  
Branch Austria (Central and Eastern  
Europe)  
Schleiergasse 20, A-1100 Wien Austria  
Tel: +43 (0)1 602 03900  
Fax: +43 (0)1 602 039051

## SLOVAKIA

Yamaha Music Europe GmbH  
Branch Austria (Central and Eastern  
Europe)  
Schleiergasse 20, A-1100 Wien Austria  
Tel: +43 (0)1 602 03900  
Fax: +43 (0)1 602 039051

## SLOVENIA

Yamaha Music Europe GmbH  
Branch Austria (Central and Eastern  
Europe)  
Schleiergasse 20, A-1100 Wien Austria  
Tel: +43 (0)1 602 03900  
Fax: +43 (0)1 602 039051

## SPAIN

Yamaha Música Ibérica, S.A.U.  
Ctra. de la Coruna km.17, 200  
28230 Las Rozas de Madrid, Spain  
Tel: +34 902 39 8888  
Fax: +34 91 638 4660

## SWEDEN

Yamaha Scandinavia AB  
J A Wettergrens gata 1  
Västra Frölunda, Sweden  
(Box 300 53, 400 43 Goteborg  
Sweden - Postal Address)  
Tel: +46 (0)31 893400  
Fax: +46 (0)31 454026

## SWITZERLAND

Yamaha Music Europe GmbH, Rellingen,  
Branch Switzerland in Zurich  
Seefeldstrasse 94, CH-8008  
Zürich, Switzerland  
Tel: +41 (0)44 3878080  
Fax: +41 (0)44 3833918

## UNITED KINGDOM

Yamaha Music UK Ltd.  
Sherbourne Drive  
Tilbrook, Milton Keynes MK7 8BL  
United Kingdom  
Tel: +44 (0) 870 4445575  
Fax: +44 (0) 1908 369278

For details of products, please contact your nearest Yamaha representative or the authorized distributor listed below.

Pour plus de détails sur les produits, veuillez-vous adresser à Yamaha ou au distributeur le plus proche de vous figurant dans la liste suivante.

Die Einzelheiten zu Produkten sind bei Ihrer unten aufgeführten Niederlassung und bei Yamaha Vertragshändlern in den jeweiligen Bestimmungsländern erhältlich.

Para detalles sobre productos, contacte su tienda Yamaha más cercana o el distribuidor autorizado que se lista debajo.

## NORTH AMERICA

### CANADA

**Yamaha Canada Music Ltd.**  
135 Milner Avenue, Scarborough, Ontario,  
M1S 3R1, Canada  
Tel: 416-298-1311

### U.S.A.

**Yamaha Corporation of America**  
6600 Orangethorpe Ave., Buena Park, Calif. 90620,  
U.S.A.  
Tel: 714-522-9011

## CENTRAL & SOUTH AMERICA

### MEXICO

**Yamaha De México, S.A. de C.V.**  
Av. Insurgentes Sur 1647 "Prisma Insurgentes",  
Col. San José Insurgentes, Del. Benito Juárez,  
03900, México, D.F.  
Tel: 55-5804-0600

### BRAZIL

**Yamaha Musical do Brasil Ltda.**  
Rua Joaquim Floriano, 913 - 4º andar, Itaim Bibi,  
CEP 04534-013 Sao Paulo, SP. BRAZIL  
Tel: 011-3704-1377

### ARGENTINA

**Yamaha Music Latin America, S.A.**  
**Sucursal de Argentina**  
Olga Cossetini 1553, Piso 4 Norte  
Madero Este-C1107CEK  
Buenos Aires, Argentina  
Tel: 011-4119-7000

### PANAMA AND OTHER LATIN AMERICAN COUNTRIES/ CARIBBEAN COUNTRIES

**Yamaha Music Latin America, S.A.**  
Torre Banco General, Piso 7, Urbanización Marbella,  
Calle 47 y Aquilino de la Guardia,  
Ciudad de Panamá, Panamá  
Tel: +507-269-5311

## EUROPE

### THE UNITED KINGDOM/IRELAND

**Yamaha Music Europe GmbH (UK)**  
Sherbourne Drive, Tilbrook, Milton Keynes,  
MK7 8BL, England  
Tel: 01908-366700

### GERMANY

**Yamaha Music Europe GmbH**  
Siemensstraße 22-34, 25462 Rellingen, Germany  
Tel: 04101-3030

### SWITZERLAND/LIECHTENSTEIN

**Yamaha Music Europe GmbH**  
**Branch Switzerland in Zürich**  
Seefeldstrasse 94, 8008 Zürich, Switzerland  
Tel: 044-387-8080

### AUSTRIA

**Yamaha Music Europe GmbH Branch Austria**  
Schleiergasse 20, A-1100 Wien, Austria  
Tel: 01-60203900

### CZECH REPUBLIC/HUNGARY/ ROMANIA/SLOVAKIA/SLOVENIA

**Yamaha Music Europe GmbH**  
**Branch Austria (Central Eastern Europe Office)**  
Schleiergasse 20, A-1100 Wien, Austria  
Tel: 01-602039025

### POLAND/LITHUANIA/LATVIA/ESTONIA

**Yamaha Music Europe GmbH**  
**Branch Poland Office**  
ul. Wrotkowa 14 02-553 Warsaw, Poland  
Tel: 022-500-2925

### BULGARIA

**Dinacord Bulgaria LTD.**  
Bul. Iskarsko Schose 7 Targowski Zentar Ewropa  
1528 Sofia, Bulgaria  
Tel: 02-978-20-25

### MALTA

**Olimpus Music Ltd.**  
The Emporium, Level 3, St. Louis Street Msida  
MSD06  
Tel: 02133-2144

### THE NETHERLANDS/ BELGIUM/LUXEMBOURG

**Yamaha Music Europe Branch Benelux**  
Clarissenhof 5-b, 4133 AB Vianen, The Netherlands  
Tel: 0347-358 040

### FRANCE

**Yamaha Music Europe**  
7 rue Ambroise Croizat, Zone d'activités Pariest,  
77183 Croissy-Beaubourg, France  
Tel: 01-64-61-4000

### ITALY

**Yamaha Music Europe GmbH, Branch Italy**  
Viale Italia 88, 20020 Lainate (Milano), Italy  
Tel: 02-935-771

### SPAIN/PORTUGAL

**Yamaha Music Europe GmbH Ibérica, Sucursal en España**  
Ctra. de la Corona km. 17, 200, 28230  
Las Rozas (Madrid), Spain  
Tel: 91-639-8888

### GREECE

**Philippos Nakas S.A. The Music House**  
147 Skiathou Street, 112-55 Athens, Greece  
Tel: 01-228 2160

### SWEDEN

**Yamaha Music Europe GmbH Germany filial Scandinavia**  
J. A. Wettergrens Gata 1, Box 30053  
S-400 43 Göteborg, Sweden  
Tel: 031 89 34 00

### DENMARK

**Yamaha Music Europe GmbH, Tyskland - filial Denmark**  
Generatorvej 6A, DK-2730 Herlev, Denmark  
Tel: 44 92 49 00

### FINLAND

**F-Musiikki Oy**  
Kluuvikatu 6, P.O. Box 260,  
SF-00101 Helsinki, Finland  
Tel: 09 618511

### NORWAY

**Yamaha Music Europe GmbH Germany - Norwegian Branch**  
Grini Næringspark 1, N-1345 Østerås, Norway  
Tel: 67 16 77 70

### ICELAND

**Skifan HF**  
Skeifan 17 P.O. Box 8120, IS-128 Reykjavik, Iceland  
Tel: 525 5000

### RUSSIA

**Yamaha Music (Russia)**  
Room 37, bld. 7, Kievskaya street, Moscow,  
121059, Russia  
Tel: 495 626 5005

### OTHER EUROPEAN COUNTRIES

**Yamaha Music Europe GmbH**  
Siemensstraße 22-34, 25462 Rellingen, Germany  
Tel: +49-4101-3030

## AFRICA

**Yamaha Corporation,**  
**Asia-Pacific Sales & Marketing Group**  
Nakazawa-cho 10-1, Naka-ku, Hamamatsu,  
Japan 430-8650  
Tel: +81-53-460-2313

## MIDDLE EAST

### TURKEY/CYPRUS

**Yamaha Music Europe GmbH**  
Siemensstraße 22-34, 25462 Rellingen, Germany  
Tel: 04101-3030

### OTHER COUNTRIES

**Yamaha Music Gulf FZE**  
LOB 16-513, P.O.Box 17328, Jubel Ali,  
Dubai, United Arab Emirates  
Tel: +971-4-881-5868

## ASIA

### THE PEOPLE'S REPUBLIC OF CHINA

**Yamaha Music & Electronics (China) Co., Ltd.**  
2F, Yunhedasha, 1818 Xinzha-lu, Jingan-qu,  
Shanghai, China  
Tel: 021-6247-2211

### HONG KONG

**Tom Lee Music Co., Ltd.**  
11/F., Silvercord Tower 1, 30 Canton Road,  
Tsimshatsui, Kowloon, Hong Kong  
Tel: 2737-7688

### INDIA

**Yamaha Music India Pvt. Ltd.**  
Spazedge building, Ground Floor, Tower A, Sector  
47, Gurgaon- Sohna Road, Gurgaon, Haryana, India  
Tel: 0124-485-3300

### INDONESIA

**PT. Yamaha Musik Indonesia (Distributor)**  
**PT. Nusantik**  
Gedung Yamaha Music Center, Jalan Jend. Gatot  
Subroto Kav. 4, Jakarta 12930, Indonesia  
Tel: 021-520-2577

### KOREA

**Yamaha Music Korea Ltd.**  
8F, 9F, Dongsung Bldg. 158-9 Samsung-Dong,  
Kangnam-Gu, Seoul, Korea  
Tel: 02-3467-3300

### MALAYSIA

**Yamaha Music (Malaysia) Sdn., Bhd.**  
Lot 8, Jalan Perbandaran, 47301 Kelana Jaya,  
Petaling Jaya, Selangor, Malaysia  
Tel: 03-78030900

### PHILIPPINES

**Yupango Music Corporation**  
339 Gil J. Puyat Avenue, P.O. Box 885 MCPO,  
Makati, Metro Manila, Philippines  
Tel: 819-7551

### SINGAPORE

**Yamaha Music (Asia) PRIVATE LIMITED**  
Blk 202 Hougang Street 21, #02-00,  
Singapore 530202, Singapore  
Tel: 6747-4374

### TAIWAN

**Yamaha KHS Music Co., Ltd.**  
3F, #6, Sec.2, Nan Jing E. Rd. Taipei.  
Taiwan 104, R.O.C.  
Tel: 02-2511-8688

### THAILAND

**Siam Music Yamaha Co., Ltd.**  
4, 6, 15 and 16th floor, Siam Motors Building,  
891/1 Rama 1 Road, Wangmai,  
Pathumwan, Bangkok 10330, Thailand  
Tel: 02-215-2622

### OTHER ASIAN COUNTRIES

**Yamaha Corporation,**  
**Asia-Pacific Sales & Marketing Group**  
Nakazawa-cho 10-1, Naka-ku, Hamamatsu,  
Japan 430-8650  
Tel: +81-53-460-2313

## OCEANIA

### AUSTRALIA

**Yamaha Music Australia Pty. Ltd.**  
Level 1, 99 Queensbridge Street, Southbank,  
Victoria 3006, Australia  
Tel: 3-9693-5111

### NEW ZEALAND

**Music Works LTD**  
P.O. BOX 6246 Wellesley, Auckland 4680,  
New Zealand  
Tel: 9-634-0099

### COUNTRIES AND TRUST TERRITORIES IN PACIFIC OCEAN

**Yamaha Corporation,**  
**Asia-Pacific Sales & Marketing Group**  
Nakazawa-cho 10-1, Naka-ku, Hamamatsu,  
Japan 430-8650  
Tel: +81-53-460-2313



**Yamaha Global Home**

<http://www.yamaha.com/>

**Yamaha Manual Library**

<http://www.yamaha.co.jp/manual/>

U.R.G., Digital Musical Instruments Division  
© 2011 Yamaha Corporation

**WZ37930** 301MWGR\*. \*-\*\*F0