



YAMAHA PIANO

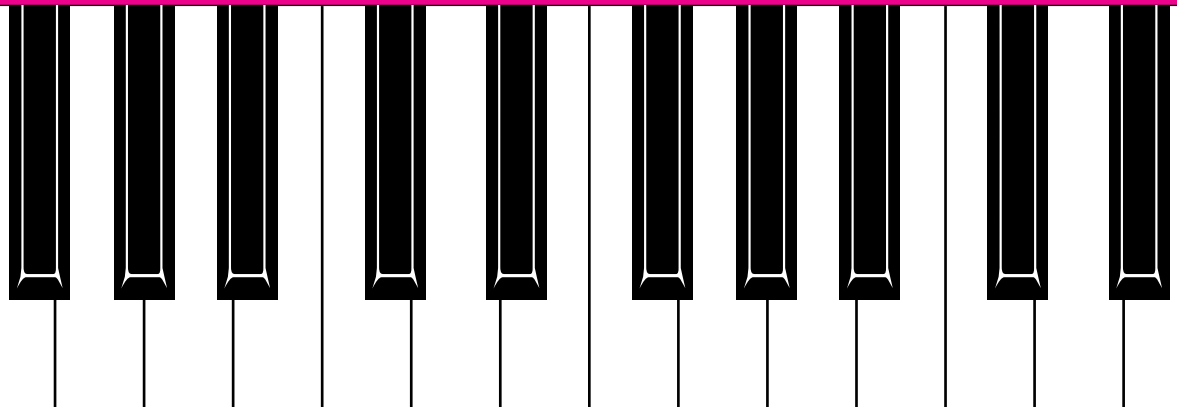
Silent[™]

S E R I E S



Y A M A H A

Owner's manual
Bedienungsanleitung
Manuel de propriétaire
Manual del propietario
Usò e manutenzione



(For U.S. users)

SPECIAL MESSAGE SECTION

This product utilizes an external power supply (adapter). DO NOT connect this product to any power supply or adapter other than one described in the manual, on the name plate, or specifically recommended by Yamaha.

WARNING: Do not place this product in a position where anyone could walk on, trip over, or roll anything over power or connecting cords of any kind. The use of an extension cord is not recommended! If you must use an extension cord, the minimum wire size for a 25' cord (or less) is 18 AWG. **NOTE:** The smaller the AWG number, the larger the current handling capacity. For longer extension cords, consult a local electrician.

This product should be used only with the components supplied or; a cart, rack, or stand that is recommended by Yamaha. If a cart, etc., is used, please observe all safety markings and instructions that accompany the accessory product.

SPECIFICATIONS SUBJECT TO CHANGE: The information contained in this manual is believed to be correct at the time of printing. However, Yamaha reserves the right to change or modify any of the specifications without notice or obligation to update existing units.

Do not attempt to service this product beyond that described in the user-maintenance instructions. All other servicing should be referred to qualified service personnel.

This product, either alone or in combination with an amplifier and headphones or speaker/s, may be capable of producing sound levels that could cause permanent hearing loss. DO NOT operate for a long periods of time at a high volume level or at a level that is uncomfortable. If you experience any hearing loss or ringing in the ears, you should consult an audiologist. **IMPORTANT:** The louder the sound, the shorter the time period before damage occurs.

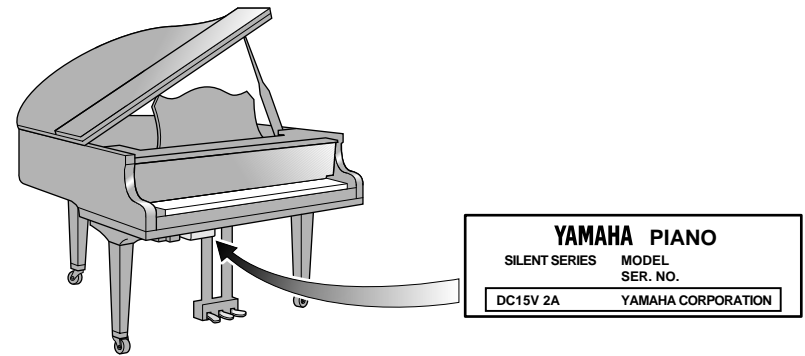
Some Yamaha products may have benches and/or accessory mounting fixtures that are either supplied with the product or as optional accessories. Some of these items are designed to be dealer assembled or installed. Please make sure that benches are stable and any optional fixtures (where applicable) are well secured **BEFORE** using. Benches supplied by Yamaha are designed for seating only. No other uses are recommended.

NOTICE: Service charges incurred due to lack of knowledge relating to how a function or effect works (when the unit is operating as designed) are not covered by the manufacturer's warranty, and are therefore the owners responsibility. Please study this manual carefully and consult your dealer before requesting service.

ENVIRONMENTAL ISSUES: Yamaha strives to produce products that are both user safe and environmentally friendly. We sincerely believe that our products and the production methods used to produce them, meet these goals. In keeping with both the letter and the spirit of the law, we want you to be aware of the following:

Disposal Notice: Should this product become damaged beyond repair, or for some reason its useful life is considered to be at an end, please observe all local, state, and federal regulations that relate to the disposal of products that contain lead, batteries, plastics, etc. If your dealer is unable to assist you, please contact Yamaha directly.

NAME PLATE LOCATION: The graphic below indicates the location of the name plate for this model. The model number, serial number, power requirements, etc., are located on this plate. You should record the model number, serial number, and the date of purchase in the spaces provided below and retain this manual as a permanent record of your purchase.



Model _____

Serial No. _____

Purchase Date _____

PLEASE KEEP THIS MANUAL

FCC INFORMATION (U.S.A.)

1. IMPORTANT NOTICE: DO NOT MODIFY THIS UNIT!

This product, when installed as indicated in the instructions contained in this manual, meets FCC requirements. Modifications not expressly approved by Yamaha may void your authority, granted by the FCC, to use the product.

2. IMPORTANT: When connecting this product to accessories and/or another product use only high quality shielded cables. Cable/s supplied with this product **MUST** be used. Follow all installation instructions. Failure to follow instructions could void your FCC authorization to use this product in the USA.

3. NOTE: This product has been tested and found to comply with the requirements listed in FCC Regulations, Part 15 for Class "B" digital devices. Compliance with these requirements provides a reasonable level of assurance that your use of this product in a residential environment will not result in harmful interference with other electronic devices. This equipment generates/uses radio frequencies and, if not installed and used according to the instructions found in the users manual, may cause interference harmful to the operation of other electronic devices. Compliance with FCC regulations does not guarantee that interference will not occur in all installations. If this product is found to be the source of interference, which can be determined by turning the unit "OFF" and "ON", please try to eliminate the problem by using one of the following measures:

Relocate either this product or the device that is being affected by the interference.

Utilize power outlets that are on different branch (circuit breaker or fuse) circuits or install AC line filter/s.

In the case of radio or TV interference, relocate/reorient the antenna. If the antenna lead-in is 300 ohm ribbon lead, change the lead-in to co-axial type cable.

If these corrective measures do not produce satisfactory results, please contact the local retailer authorized to distribute this type of product. If you can not locate the appropriate retailer, please contact Yamaha Corporation of America, Electronic Service Division, 6600 Orangethorpe Ave, Buena Park, CA 90620

The above statements apply **ONLY** to those products distributed by Yamaha Corporation of America or its subsidiaries.

IMPORTANT NOTICE FOR THE UNITED KINGDOM

Applies to power adaptor Connecting the Plug and Cord

IMPORTANT: THE WIRES IN MAINS LEAD ARE COLOURED IN ACCORDANCE WITH THE FOLLOWING CODE:

BLUE : NEUTRAL
BROWN : LIVE

As the colours of the wires in the mains lead of this apparatus may not correspond with the coloured markings identifying the terminals in your plug, proceed as follows:

The wire which is coloured BLUE must be connected to the terminal which is marked with the letter N or coloured BLACK.

The wire which is coloured BROWN must be connected to the terminal which is marked with the letter L or coloured RED.

Making sure that neither core is connected to the earth terminal of the three pin plug.

CANADA

This Class B digital apparatus meets all requirements of the Canadian Interference-Causing Equipment Regulations.

Cet appareil numérique de la classe B respecte toutes les exigences du Règlement sur le matériel brouilleur du Canada.

Contents/
Other documentation

Inhalt/
Weitere Dokumentation

Table des matières/
Autres documentations

Índice/Otros documentos

Sommario/
Altra documentazione

Contents

Features	3
<i>Silent Series</i> accessory box contents	7
Precautions	9
Power connection	11
Control box — Front panel	15
How to use your <i>Silent Series</i> grand piano	17
Reverb	23
Pitch	29
Control box — Rear panel	35
Using the AUX terminals	37
Using the MIDI terminals	41
Playing the demo songs	49
Quick troubleshooting	53
<i>Grand Silent</i> system specifications	57

Other documentation

MIDI Implementation Chart (see page 7)

Inhalt

Eigenschaften	3
Inhalt des Zubehörpaketes der " <i>Silent</i> "-Serie	7
Vorsichtsmaßnahmen	9
Stromversorgung	11
Steuerkasten – Vorderseite	15
Über den Einsatz Ihres Flügels der " <i>Silent</i> "-Serie	17
Reverb (Halleffekt)	23
Stimmung	29
Steuerkasten – Rückseite	35
Benutzung der AUX-Anschlüsse	37
Benutzung der MIDI-Anschlüsse	41
Anhören der Demo-Stücke	49
Problemlösungen	53
Technische Daten des " <i>Grand Silent</i> "-Systems	57

Weitere Dokumentation

MIDI-Implementations-tabelle (siehe Seite 7)

Table des matières

Fonctions	4
Contenu de la boîte d'accessoires du piano de la <i>série "Silent"</i>	8
Précautions	9
Mise sous tension	12
Boîte de commandes – Panneau avant	16
Comment utiliser votre piano à queue la <i>série "Silent"</i>	18
Reverb	24
Diapason	30
Boîte de commandes – Panneau arrière	36
Utilisation des connecteurs AUX	38
Utilisation des connecteurs MIDI	42
Morceaux de démonstration	50
Guide de dépannage rapide	54
Caractéristiques techniques du système " <i>Grand Silent</i> "	58

Autres documentations

Tableau d'implémentation MIDI
(voir page 8)

Índice

Características	4
Contenido de la caja de accesorios del piano de cola <i>serie "Silent"</i>	8
Precauciones	10
Conexión eléctrica	12
Caja de Control – Panel delantero	16
Como utilizar su piano de cola de la <i>serie "Silent"</i>	17
Reverberación	24
Diapasón	30
Caja de mandes – Parte trasera	36
Utilización de los terminales AUX	38
Utilización de los terminales MIDI	42
Reproducción de canciones de demostración	50
Breve sección sobre localización y reparación de averías	54
Especificaciones del sistema " <i>Grand Silent</i> "	58

Otros documentos

Gráfico de puesta en práctica de MIDI
(véase la página 8)

Sommario

Caratteristiche	4
Contenuto della scatola degli accessori " <i>Silent</i> " <i>Series</i>	8
Precauzioni	10
Collegamento elettrico	12
Unità di controllo – Pannello frontale	16
Come usare il pianoforte a coda " <i>Silent</i> " <i>Series</i>	17
Riverbero	24
Tono	30
Unità di controllo – Pannello posteriore ..	36
Utilizzo delle prese AUX	38
Utilizzo dei connettori MIDI	42
Uso dei brani dimostrativi	50
Inconvenienti e rimedi– Guida rapida	54
Specifiche tecniche del sistema " <i>Grand Silent</i> "	58

Altra documentazione

Prospetto di implementazione MIDI
(vedere pagina 8)

Features

Eigenschaften

Fonctions

Características

Caratteristiche

Features

What is the *Silent*TM Series grand piano?

The *Silent Series* is a high-quality, traditional acoustic grand piano with a special feature — the unique *Grand Silent* system. By gently pulling the *Silent Lever*, the hammers can be stopped from hitting the strings, effectively silencing the piano to all outside ears. Sophisticated digital electronics take over, reproducing the same rich tones through stereo headphones. This allows you to play the piano at any time without intruding on those around you.

The *Grand Silent* System is the feature that makes this the perfect piano

The *Grand Silent* system is made up of three distinct components: a hammer shank stopper, a *Quick Escape* mechanism (patent pending), and a double sensor system.

The hammer shank stopper prevents the hammers from hitting the strings. The *Quick Escape* mechanism uncompromisingly maintains the superior performance and touch of a grand piano when you either play the acoustic piano or the digital piano. Both components are engaged with the *Silent Lever*.

The double sensor system consists of optical sensors located on both the hammers and the keyboard to provide the highest degree of precision and sensitivity.

Eigenschaften

Was ist ein Flügel der *“Silent”*TM-Serie?

Dieser Flügel der *“Silent”*-Serie ist ein traditioneller, akustischer Flügel hoher Qualität mit einer besonderen Eigenschaft – dem einzigartigen *“Grand Silent”*-System. Indem Sie leicht an dem *“Silent”*-Hebel ziehen, wird ein Hammer-Stopmechanismus ausgelöst, der die Berührung der Saiten durch die Hämmer verhindert, und so den Flügel verstummen läßt. Hochwertige, digitale Elektronik – ein *“Digitalpiano”* – übernimmt nun die Erzeugung des gleichen, vollen Klangs – der dann jedoch nur über Stereokopfhörer zu hören ist. Dadurch ist es Ihnen möglich, jederzeit lautlos auf Ihrem Flügel zu spielen, ohne die Menschen in Ihrer Umgebung zu stören.

Das *“Grand Silent”*-System ist die Eigenschaft, die diesem Flügel Perfektion verleiht

Das *“Grand Silent”*-System besteht aus drei Einheiten: Der Hammer-Stopmechanismus, der sogenannte *“Quick Escape”*-Mechanismus (Patent angemeldet), und ein Doppelsensor-System.

Der Hammer-Stopmechanismus stoppt die Hämmer, bevor sie die Saiten erreichen können. Der *“Quick Escape”*-Mechanismus hält ohne Einbußen das unverwechselbare Spielgefühl eines Konzertflügels aufrecht, egal, ob Sie akustisch oder digital spielen. Beide Komponenten werden mit dem *“Silent”*-Hebel aktiviert.

Das Doppelsensor-System besteht aus optischen Sensoren auf sowohl den Hämmern als auch in der Tastatur, wodurch der höchstmögliche Grad an Präzision und Empfindlichkeit erreicht wird.

≡ Fonctions ≡

Qu'est ce que le piano à queue de la série "Silent"™?

Merci d' avoir fait l'acquisition d'un piano à queue de la série "Silent". Le piano de la série "Silent" est un piano à queue acoustique traditionnel de haute qualité intégrant un système spécial - le système exclusif de silencieux "Grand Silent". En appuyant doucement sur le levier de silencieux, les marteaux sont stoppés avant de frapper les cordes, ce qui rend le piano silencieux pour les auditeurs; un système électronique numérique sophistiqué prend le relais et reproduit la sonorité du piano par le casque d'écoute. Cela vous permet de jouer en silence à n'importe quel moment sans déranger les voisins ou les membres de votre famille.

Le système "Grand Silent" constitue la caractéristique qui rend ce piano exceptionnel

Le système "Grand Silent" se compose de trois éléments distincts: une butée de manche de marteau, un mécanisme d'échappement rapide "Quick Escape" (breveté) et un système à doubles capteurs.

La butée de manche de marteau empêche les marteaux de frapper les cordes. Le mécanisme d'échappement "Quick Escape" permet de conserver le toucher du piano à queue, que vous jouiez en piano traditionnel ou en piano numérique. Ces deux éléments sont actionnés par le levier de silencieux.

Le système à doubles capteurs optiques situés sur les marteaux et sous le clavier transmet avec une grande précision toutes les nuances du jeu pianistique aux circuits électroniques numériques.

≡ Características ≡

¿Qué es el piano de cola de la serie "Silent"™?

Gracias por adquirir un piano de cola de la serie "Silent". El piano de cola de la serie "Silent" es un piano de cola tradicional de alta calidad que incluye una característica única - el sistema "Grand Silent". Al pulsar suavemente la palanca de silenciamiento, los martillos dejan de tocar las cuerdas, lo que le permite tocar en silencio, sin estorbar a los demás. El sistema de electrónica numérico se pone entonces en marcha y reproduce los mismos tonos ricos a través de auriculares estereo. Esta función le permite tocar el piano en cualquier momento, sin molestar a sus vecinos o a los miembros de su familia.

El sistema "Grand Silent" es la función que hace de ese piano un piano perfecto

El sistema "Grand Silent" se compone de tres elementos distintos: un dispositivo que detiene los martillos de percusión, un dispositivo de escape rápido "Quick Escape" (patentado) y un sistema con doble sensores.

El dispositivo que detiene los martillos de percusión impide que éstos toquen las cuerdas. El mecanismo de escape rápido "Quick Escape" mantiene sin compromiso alguno el nivel de interpretación y el toque superior de un piano de cola que trate de la parte acústica o numérica del piano. Ambos elementos se accionan con la palanca de silenciamiento.

El sistema de doble sensores está hecho de sensores ópticos situados en los martillos y teclado para procurar el mayor nivel de precisión y sensibilidad.

≡ Caratteristiche ≡

Cos'è il pianoforte a coda "Silent"™ Series?

Il "Silent" Series è un pianoforte a coda acustico tradizionale di alta qualità dotato di una caratteristica speciale, l'eccezionale sistema "Grand Silent". Tirando delicatamente la leva del silenziatore, viene impedito ai martelletti di percuotere le corde, escludendo così il loro suono verso l'esterno. A questo punto entrano in funzione dei sofisticati circuiti elettronici che riproducono il suono pieno delle note attraverso le cuffie. Ciò vi consente di suonare il piano in qualsiasi momento senza disturbare le persone intorno a voi.

Il sistema "Grand Silent": tecnologia avanzata per un pianoforte perfetto

Il sistema "Grand Silent" è costituito da tre elementi diversi: un fermo sull'asta del martelletto, un meccanismo "Quick Escape" (brevettato) e un sistema a doppi sensori.

Il fermo sull'asta del martelletto impedisce a quest'ultimo di percuotere le corde. Il meccanismo "Quick Escape" mantiene fedelmente costanti le prestazioni e il tocco superiori di un pianoforte a coda classico, sia suonandolo in modo acustico che in modo digitale. Questi due componenti vengono attivati dalla leva del silenziatore.

Il sistema a doppi sensori consiste di sensori ottici situati sia sui martelletti che sulla tastiera che garantiscono un elevatissimo livello di precisione e sensibilità.

Because these sensors are optical, they have no effect on the feel of the keys as they accurately transmit every nuance of your playing to the digital electronics. The key-release velocity feature can detect and respond to expressive fingering, resulting in the characteristic sound and feel of an acoustic piano.

Incomparable digital piano sound

The Incomparable digital piano sound is provided by a massive 30-megabyte memory, which contains the digitally sampled, stereo sound of a classic Yamaha CFIIS concert grand piano. Even the effect of the sustain pedal has been captured, providing the rich harmonic resonance of a true grand. While high-quality reverb programs simulate the acoustic ambiance of three different playing environments: Room, Hall 1, and Hall 2.

You can connect the piano to audio equipment using the AUX terminals on the back of the control box, or to a variety of digital musical instruments using the MIDI terminals.

The *Silent Series* grand piano comes from YAMAHA — one of the world's leading piano manufacturers

The *Silent Series* grand piano is of the highest quality — designed for high sound quality with reliability and attention to detail built in at every stage. **YAMAHA** has the rare combination of advanced optical fiber sensor technology, extensive experience with digital pianos and keyboards, and a long tradition of acoustic excellence in piano design.

Da die Sensoren nur optisch wirken, haben Sie keinerlei störende Auswirkungen auf das Spielgefühl, und übermitteln jede Feinheit Ihres Spiels an die digitale Elektronik. Die Erkennung der Loslaßgeschwindigkeit trägt entscheidend zur Umsetzung der Vorgänge auf der Tastatur bei, und hat den charakteristischen Klang und das Spielgefühl eines akustischen Flügels.

Unvergleichlicher Digital-Pianoklang

Der unvergleichliche Digital-Pianoklang ist einem 30 Megabyte-Speicher zu verdanken, der den Klang eines digital und stereo gesampelten Yamaha CFIIS Konzertflügels enthält. Selbst der Effekt des Fortepedals wurde mit aufgezeichnet, so daß Sie die gleichen Resonanzen bekommen wie bei einem akustischen Instrument. Wenn Sie möchten, können Sie außerdem ein wenig Hall hinzuschalten. Das "Silent"-Serie bietet nämlich auch drei Halltypen: Room, Hall 1 und Hall 2.

Sie können den Flügel über die AUX-Buchsen an der Rückseite des Steuerkastens an externe Audio-Geräte, oder, über die MIDI-Buchsen, an eine Vielzahl anderer digital Musikinstrumente anschließen.

Dieser Flügel der "Silent"-Serie kommt von YAMAHA — einem der führenden Klavierhersteller der Welt

Der Flügel der "Silent"-Serie ist von höchster Qualität – geschaffen für hohe Klangqualität, Zuverlässigkeit und mit Liebe zum Detail in jeder Hinsicht. **YAMAHA** vereint in diesem Instrument die fortschrittliche Technologie fiberoptischer Sensoren mit der weitreichenden Erfahrung auf dem Gebiet der Digitalpianos und Keyboards und der langjährigen Tradition im Bau hervorragender akustischer Flügel.

L'utilisation de la lecture optique sans contact permet ainsi de ne pas modifier le toucher naturel du piano à queue. La vitesse de relâchement des touches détecte et contrôle à la perfection l'expressivité du jeu, pour retraduire la sensation et la sonorité d'un piano acoustique traditionnel.

Sonorité incomparable de piano à queue

L'incomparable son de piano est fourni par une mémoire de 30 mégaoctets qui contient les échantillons enregistrés en stéréo d'un piano de concert, le CFIIS de Yamaha. Même l'effet de la pédale forte a été enregistré afin de reproduire la résonance particulièrement riche d'un tout grand piano. Vous pouvez y ajouter différents programmes de réverbération afin de simuler divers environnements acoustiques: Room (pièce), Hall 1 (salle de concert 1) et Hall 2. Il est possible de raccorder le piano à des équipements audio à l'aide des terminaux AUX qui se trouvent à l'arrière de la boîte de commandes ou même à toute une variété d'instruments de musique numériques grâce aux connecteurs MIDI.

Le piano à queue de la série "Silent" est un produit de YAMAHA, l'un des leaders mondiaux dans la fabrication de pianos.

Le piano à queue de la série "Silent" est un piano de qualité, conçu avec une attention particulière jusque dans les moindres détails de sa fabrication et ce, pour garantir une fiabilité et une sonorité exceptionnelles. **YAMAHA** associe la technologie de pointe des capteurs à fibres optiques et une longue expérience des pianos numériques et des claviers à un savoir-faire exceptionnel dans la conception des pianos acoustiques traditionnels.

Dado que se trata de sensores de fibra óptica, no tienen ningún efecto en la sensación de las teclas dado que transmiten con la mayor precisión cada matiz de su interpretación a los circuitos electrónicos y numéricos. La función de desprendimiento de las teclas puede detectar y responder a la expresión de los dedos, procurando así el sonido característico y la sensación de un verdadero piano acústico.

Sonido de piano digital incomparable

El incomparable sonido de piano digital se consigue mediante una memoria masiva de 30 megabytes, que contiene sonido estéreo muestreado digitalmente de un piano de cola para conciertos CFIIS Yamaha. Se ha captado incluso el efecto del pedal celeste, con lo que se consigue la resonancia armónica rica de un verdadero piano de cola. Programas de reverberación de alta calidad simulan el ambiente acústico de tres ambientes diferentes de ejecución: Sala, Sala de conciertos 1, y Sala de conciertos 2. Se puede conectar el piano a equipos audio gracias a los terminales AUX que se encuentran detrás de la caja de control, o a una variedad de instrumentos de música numéricos que usan terminales MIDI.

El piano de cola serie "Silent" es un producto de YAMAHA; uno de los más importantes fabricantes mundiales de pianos

El piano de cola de la serie "Silent" es de calidad excepcional. Ha sido diseñado para ser fiable y producir un sonido de alta calidad. Además, se ha prestado la máxima atención a los detalles en todas las fases de su fabricación. **YAMAHA** utiliza esa combinación única de la tecnología de los sensores de fibras ópticas con su larga experiencia en el campo de los pianos y teclados numéricos así como una larga tradición de excelencia acústica en la concepción de pianos.

Trattandosi di sensori ottici, essi non influenzano assolutamente sul tocco dei tasti, e trasmettono accuratamente ogni sfumatura della vostra esecuzione ai circuiti elettronici digitali. La funzione di rilevazione della velocità di rilascio e risponde alla dinamica dell'esecuzione, riproducendo il suono e il tocco tipici di un pianoforte acustico.

Magnifico da pianoforte digitale

Il magnifico suono del pianoforte digitale è fornito dall'enorme memoria di 30 megabyte, che contiene il suono stereo campionato digitalmente di un classico pianoforte a coda da concerto Yamaha CFIIS. Anche l'effetto del pedale destro è stato catturato, offrendo così la ricca risonanza armonica di un vero pianoforte a coda. Inoltre, programmi di riverbero di alta qualità simulano l'ambiente acustico di tre diversi ambienti: Room, Hall 1 e Hall 2. Il pianoforte può essere collegato ad apparecchiature audio tramite le prese AUX situate dietro l'unità di controllo, oppure a digitale strumenti musicali tramite l'interfaccia MIDI.

Il pianoforte a coda "Silent" Series è un prodotto YAMAHA, leader mondiale nel settore dei pianoforti

Il pianoforte a coda "Silent" Series è di altissima qualità, progettato per fornire la qualità sonora desiderata da tutti i pianisti con affidabilità e attenzione rivolta ad ogni dettaglio in tutte le fasi di produzione. **YAMAHA** riunisce in sé una rara combinazione di tecnologia avanzata dei sensori a fibra ottica, la sua vasta esperienza nel campo dei pianoforti e delle tastiere digitali ed una lunga tradizione di qualità acustica nel design dei pianoforti.

Silent Series accessory box contents

Inhalt des Zubehörpaketes des "*Silent*"-Serie

Contenu de la boîte d'accessoires du piano de la série "*Silent*"

Contenido de la caja de accesorios del piano de cola serie "*Silent*"

Contenuto della scatola degli accessori "*Silent*" Series

☰ *Silent Series* accessory box contents ☰

This manual

Please read this manual carefully to obtain the best from your *Silent Series* grand piano. Keep it in a place where you can refer to it easily.

MIDI Implementation chart

This chart (inside the back cover of this manual) tells you about the MIDI capabilities of your *Silent Series* grand piano.

AC adaptor

The supplied AC adaptor should be appropriate for the AC (mains) supply voltage in the area where you live.

Headphones

A pair of **YAMAHA HPE-170** headphones for use with your *Silent Series* grand piano (see page 15).

☰ Inhalt des Zubehörpaketes der "*Silent*"-Serie ☰

Anleitung

Bitte lesen Sie diese Anleitung sorgfältig, um Ihren Flügel der "*Silent*"-Serie bestmöglich einsetzen zu können. Bewahren Sie diese Anleitung so auf, daß Sie ohne Mühe etwas nachschlagen können.

MIDI-Implementationstabelle

Diese Tabelle (im hinteren Buchdeckel dieser Anleitung) vermittelt Ihnen die MIDI-bezogenen Fähigkeiten Ihres Flügels der "*Silent*"-Serie.

Steckernetzteil

Das mitgelieferte Steckernetzteil sollte der Versorgungsspannung Ihrer Gegend entsprechen.

Kopfhörer

YAMAHA Kopfhörer **HPE-170** für den Einsatz mit dem Flügel der "*Silent*"-Serie (siehe Seite 15).

☰ Contenu de la boîte d'accessoires du piano de la série "Silent" ☰

Ce manuel

Veillez lire ce manuel attentivement pour bénéficier de toutes les possibilités de votre piano à queue de la série "Silent". Veuillez le conserver en lieu sûr pour toute référence ultérieure.

Tableau d'implémentation MIDI

Ce tableau situé à l'intérieur de la couverture de la fin de ce manuel donne des informations sur les fonctions MIDI offertes par votre piano à queue de la série "Silent".

Adaptateur d'alimentation

L'adaptateur d'alimentation de votre piano à queue de la série "Silent" doit correspondre à la tension utilisée dans votre région.

Casque

Le casque **HPE-170 YAMAHA** à utiliser avec votre piano à queue de la série "Silent" (voir page 16).

☰ Contenido de la caja de accesorios del piano de cola serie "Silent" ☰

Este manual

Para aprovechar al máximo las prestaciones de su piano de cola serie "Silent", le recomendamos que lea detenidamente el presente manual y lo conserve en un lugar donde lo podrá consultar con facilidad.

Gráfico de puesta en práctica de MIDI

Este gráfico, que hallará en la parte interior de la cubierta posterior del presente manual, le informa de todas las posibilidades MIDI de su piano de cola serie "Silent".

Adaptador de CA

El adaptador de CA entregado con el piano debería corresponder a la tensión de corriente utilizada en su área.

Auriculares

Los auriculares **HPE-170 de YAMAHA** para utilizar con su piano de cola serie "Silent" (véase la página 16).

☰ Contenuto della scatola degli accessori "Silent" Series ☰

Questo manuale

Vi preghiamo di leggere attentamente questo manuale per sfruttare appieno le possibilità del vostro pianoforte a coda "Silent" Series. Conservatelo in un luogo dove possa essere consultato con facilità.

Scheda di implementazione MIDI

Questa scheda (all'interno dell'ultima di copertina di questo manuale) vi fornisce informazioni circa le capacità MIDI del pianoforte a coda "Silent" Series.

Adattatore CA

L'adattatore CA fornito in dotazione dovrà essere adeguato alla tensione della corrente elettrica distribuita nella vostra zona.

Cuffie

Una coppia di cuffie **YAMAHA HPE-170** da utilizzare con il vostro pianoforte "Silent" Series (vedere pagina 16).

Precautions

Vorsichtsmaßnahmen

Précautions

Precauciones

Precauzioni

☰ Precautions ☰

The *Silent Series* grand piano is an electrical device. In addition to the normal precautions you should observe with any piano, as described in the piano manual, please take special note of the following:

Water and electricity can be a dangerous combination. Do not stand flower vases on the *Silent Series* grand piano: the risk of spilled water is too great.

When cleaning the *Silent Series* grand piano, avoid spraying aerosol furniture polishes or similar onto the electrical parts of the instrument.

To clean the control panel, use a soft dry cloth.

Keep the AC adaptor and power cord away from areas where it may be walked on or tripped over. Do not stand furniture or other heavy objects on the power cord.

☰ Vorsichtsmaßnahmen ☰

Der Flügel der *“Silent“-Serie* ist ein elektrisches Gerät. Zusätzlich zu den gewohnten Vorsichtsmaßnahmen, die Sie bei jedem Klavier beachten sollten und die in der Anleitung für den Flügel beschrieben sind, beachten Sie zusätzlich die folgenden Hinweise:

Wasser und Elektrizität können eine gefährliche Mischung ergeben. Stellen Sie keine Blumenvasen oder ähnliches auf Ihren Flügel der *“Silent“-Serie*. Das Risiko, daß Wasser verschüttet wird, ist zu hoch.

Wenn Sie den Flügel der *“Silent“-Serie* reinigen, vermeiden Sie das Aufsprühen lösungsmittelhaltiger Möbelpolituren o. ä. auf die elektrischen Teile.

Für die Reinigung des Bedienfeldes können Sie ein weiches, trockenes Tuch benutzen.

Plazieren Sie das Steckernetzteil und das Zuleitungskabel so, daß niemand darauf treten oder darüber stolpern kann. Stellen Sie keine Möbel oder andere schwere Objekte auf das Zuleitungskabel.

Précautions

Oltre les précautions habituelles à observer avec n'importe quel piano, comme le décrit le manuel du piano, le piano à queue de la *série "Silent"* étant un dispositif électrique, veuillez prendre en compte les règles de prudence suivantes:

L'eau et l'électricité peuvent constituer une combinaison dangereuse. Ne placez pas d'objets tels que vase à fleurs, etc. sur le piano à queue de la *série "Silent"*. Les risques que constitue de l'eau renversée sont trop sérieux.

Lorsque vous procédez au nettoyage du piano à queue de la *série "Silent"*, évitez d'utiliser des vaporisateurs de type aérosol ou autres produits de nettoyage à l'intérieur des circuits électriques du piano.

Pour nettoyer le panneau de commandes, utilisez un chiffon sec et doux.

Gardez l'adaptateur d'alimentation et le cordon d'alimentation à l'écart des zones où on pourrait marcher ou trébucher dessus. Ne placez pas de meubles ou autres objets lourds sur le cordon d'alimentation.

Precauciones

Además de las precauciones normales que debería observar con un piano corriente, tal como se describen en el manual del piano, dado que el piano de cola *serie "Silent"* es un aparato eléctrico, es importante que recuerde los elementos siguientes:

La combinación de agua y electricidad puede resultar peligrosa. No coloque objetos tales como un florero encima del piano de cola *serie "Silent"*. El riesgo de que se derrame es demasiado grande.

Al limpiar el piano de cola *serie "Silent"*, no aplique aerosoles ni detergentes de limpieza a los elementos eléctricos del instrumento.

Para limpiar el panel de control, utilice un paño suave y seco.

Mantenga el adaptador de CA y el cable de alimentación alejados de los lugares donde se podrían pisar o tropezar con ellos. No coloque ningún mueble o cualquier objeto pesado encima del cable de alimentación.

Precauzioni

Il pianoforte a coda "*Silent*" *Series* è un dispositivo elettronico. Oltre alle normali precauzioni da osservare con qualsiasi altro pianoforte, come descritto nel manuale fornito con esso, vi preghiamo di considerare in particolare quanto segue:

L'acqua e l'elettricità insieme possono essere una combinazione molto pericolosa. Non appoggiate vasi di fiori sul pianoforte "*Silent*" *Series*: il rischio che l'acqua si rovesci sul pianoforte è molto grande.

Quando pulite il pianoforte "*Silent*" *Series*, evitate di spruzzare detergenti per mobili in bombolette spray o prodotti simili sulle parti elettriche dello strumento.

Per pulire il pannello di controllo, usate un panno morbido e asciutto.

Tenete lontano da aree di passaggio l'adattatore CA e il cavo di alimentazione, per evitare di calpestarlo o di inciamparvi. Non appoggiate sul cavo di alimentazione mobili o altri oggetti pesanti.

Power connection

Stromversorgung

Mise sous tension

Conexión eléctrica

Collegamento elettrico

☰ Power connection ☰

To use the “silent” feature of your *Silent Series* grand piano, you must connect the piano to an AC (mains) supply. An adaptor is provided for this purpose.

☒ Plug the AC adaptor into the AC outlet (mains socket).

☒ Plug the other end of the adaptor into the DC IN socket at the rear of the control box (①) (see page 35).

Clip the cable to the *Silent Series* grand piano

Fasten the cable from the AC adaptor to the retainer clips to prevent the *Silent Series* grand piano from being accidentally disconnected if it is moved, or if the cable is tugged.

There are two clips under the piano near the control box (②).

☰ Stromversorgung ☰

Um die “stille“-Funktion bzw. den elektronischen Teil Ihres Flügels der “*Silent*“-Serie benutzen zu können, müssen Sie ihn an eine Netzsteckdose anschließen. Für diesen Zweck ist ein Steckernetzteil beigefügt.

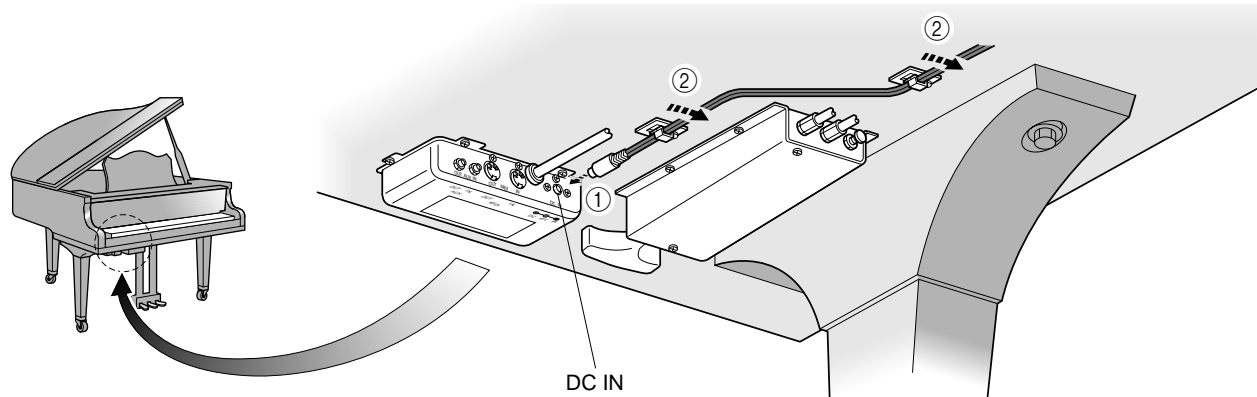
☒ Stecken Sie das Steckernetzteil in die Netzsteckdose.

☒ Stecken Sie das andere Ende des Netzteils in die Buchse DC IN an der Rückseite des Steuerkastens (①) (siehe Seite 35).

Befestigen Sie das Kabel am Flügel der “*Silent*“-Serie

Befestigen Sie das Kabel vom Steckernetzteil an den Clips, um zu verhindern, daß das Kabel versehentlich herausrutscht, wenn der Flügel verschoben oder am Kabel gezogen wird.

Es befinden sich zwei Clips unter dem Flügel in der Nähe des Steuerkastens (②).



☰ Mise sous tension ☰

Pour utiliser la fonction "silencieuse" de votre piano à queue de la *série "Silent"*, vous devez connecter le piano à une prise secteur. Un adaptateur d'alimentation est fourni à cet effet.

- ☒ Branchez l'adaptateur d'alimentation dans une prise secteur.
- ☒ Branchez l'autre extrémité de l'adaptateur dans la prise DC IN à l'arrière de la boîte de commandes (1) (voir page 36).

Attachez le câble au piano à queue de la *série "Silent"*

Vous trouverez deux attaches sous le piano, près de la boîte de commandes. Bridez le câble de l'adaptateur secteur sous ces attaches pour éviter que le piano à queue de la *série "Silent"* se déconnecte par accident lorsque vous le déplacez ou que vous tirez trop fort sur le câble (2).

☰ Conexión eléctrica ☰

Para utilizar la función de "silenciamiento" de su piano de cola *serie "Silent"*, debe conectar el piano a la toma de corriente CA (red de distribución eléctrica). Para este fin se suministra un adaptador de potencia.

- ☒ Enchufe el adaptador de CA en la toma de corriente (red de distribución eléctrica).
- ☒ Enchufe el otro extremo del adaptador en el receptáculo DC IN situado en la parte posterior de la caja de control (1) (véase página 36).

Sujete el cable al piano de cola *serie "Silent"*

Debajo de la caja de control del piano de cola *serie "Silent"* hay dos pinzas. Sujete el cable del adaptador de CA a estas pinzas para evitar que el piano se desconecte accidentalmente al desplazarlo o dando un tirón al cable (2).

☰ Collegamento elettrico ☰

Per usare la funzione "silenziatrice" del vostro pianoforte a coda *"Silent" Series*, dovete collegarlo ad una presa elettrica a corrente alternata. A questo scopo viene fornito un adattatore elettrico.

- ☒ Inserite la spina dell'adattatore in una presa a c.a.
- ☒ Inserite l'altra estremità dell'adattatore nella presa DC IN sul retro dell'unità di controllo (1) (vedere pagina 36).

Fissate il cavo al pianoforte *"Silent" Series*

Fissate il cavo proveniente dall'adattatore CA agli appositi morsetti di fissaggio per evitare che il pianoforte *"Silent" Series* possa essere accidentalmente scollegato nel caso lo strumento venga spostato o il cavo venga tirato. Sotto il pianoforte vicino all'unità di controllo si trovano due morsetti di fissaggio (2).

Use only the supplied adaptor

Always use the supplied **YAMAHA** AC Adaptor to power your *Silent Series* grand piano. Other adaptors may result in damage to the instrument. Also, make sure that the adaptor you have is appropriate for the AC (mains) supply voltage in the area where you intend to use the piano.

If you are unsure of the voltage in your area, consult your electric utility or a qualified electrician.

If you move to an area or country with different voltage, consult your **YAMAHA** dealer for details on obtaining an adaptor suitable for the new area.

Disconnecting the *Silent Series* grand piano from the power supply

If you are not going to use the digital features of your *Silent Series* grand piano for some time (a week or more), or if you are leaving your home for a similar period of time, you should disconnect the AC adaptor from the AC (mains) supply.

With the power switch turned off, the adaptor will consume a small amount of electricity. Unplug the adaptor from the outlet if you want to turn it off entirely.

Verwenden Sie nur das mitgelieferte Steckernetzteil

Sie sollten nur das mit dem Flügel der "*Silent*"-Serie gelieferte Steckernetzteil benutzen. Die Verwendung eines anderen Netzteils kann zu Schäden am Instrument führen. Achten Sie auch auf die in Ihrer Gegend vorherrschende Netzspannung.

Wenn Sie sich über die Spannung Ihres Versorgungsnetzes nicht im klaren sind, ziehen Sie einen erfahrenen Elektriker zu Rate.

Wenn Sie in eine andere Gegend oder ein anderes Land mit anderer Stromversorgung umziehen sollten, wenden Sie sich an Ihren **YAMAHA**-Fachhändler für Einzelheiten zum Erwerb eines Netzteils für die dort gültigen Netzspannung.

Stromversorgung des Flügels der "*Silent*"-Serie unterbrechen

Wenn Sie die digitalen Möglichkeiten Ihres Flügels der "*Silent*"-Serie für längere Zeit (eine Woche oder mehr) nicht benutzen möchten, oder, wenn Sie den Ort für entsprechend lange Zeit verlassen, sollten Sie das Steckernetzteil aus der Steckdose ziehen.

Wenn der Netzschalter ausgeschaltet ist, verbraucht das Steckernetzteil immer noch eine geringe Menge Energie. Ziehen Sie das Netzteil aus der Steckdose, wenn Sie jeglichen Stromverbrauch unterbinden möchten.

N'utilisez que l'adaptateur secteur

N'utilisez que l'adaptateur secteur fourni avec votre piano à queue de la *série "Silent"* pour le raccorder au secteur. L'utilisation d'un autre adaptateur peut endommager l'instrument. Toujours veiller à ce que la tension utilisée dans la zone où vous comptez utiliser l'instrument correspond bien à celle indiquée sur l'adaptateur.

Si la tension utilisée dans votre région n'est pas connue avec certitude, consultez un technicien qualifié.

Si vous vous déplacez dans une zone ou dans un pays où la tension est autre, consultez votre revendeur **YAMAHA** pour des détails sur la façon d'obtenir l'adaptateur approprié pour la zone en question.

Déconnecter le piano à queue de la série "Silent" de l'alimentation secteur

Le piano à queue de la *série "Silent"* peut généralement rester branché à l'alimentation secteur en tout temps. Nous vous suggérons cependant, si vous n'utilisez pas les fonctions électroniques du piano pendant plus d'une semaine ou que vous quittez votre maison pendant la même période, de déconnecter l'adaptateur d'alimentation de la prise secteur.

L'interrupteur d'alimentation étant coupé, l'adaptateur consommera toujours une petite quantité d'électricité. Débranchez l'adaptateur de la prise secteur si vous souhaitez le couper totalement.

Utilice únicamente el adaptador suministrado

Es importante que utilice únicamente el adaptador de CA suministrado junto con su piano de cola *serie "Silent"* para aprovechar la tensión de su región. El uso de cualquier otro adaptador puede deteriorar su instrumento. Asegúrese también de que el adaptador corresponda siempre a la tensión de la red eléctrica de la zona donde quiere tocar el piano.

Si no está seguro de la tensión suministrada en su región, consulte a un electricista competente.

Si se traslada a una región o país en el que la tensión es distinta y pretende utilizar su piano de cola *serie "Silent"*, solicite de su distribuidor **YAMAHA** la información necesaria para adquirir un adaptador nuevo que pueda utilizarse en la región de destino.

Desconexión del piano de cola serie "Silent"

Le recomendamos desconecte su piano de cola *serie "Silent"* en caso de que piense no utilizar sus funciones electrónicas durante un período prolongado (una semana o más) o si pretende estar fuera de su casa durante un período equivalente.

Con el interruptor de alimentación desactivado, el adaptador consumirá aún poca energía eléctrica. Si desea desconectar totalmente el instrumento, desconecte el adaptador de la red eléctrica.

Usate soltanto l'adattatore fornito in dotazione

Usate sempre l'adattatore CA **YAMAHA** fornito in dotazione per alimentare il vostro pianoforte "*Silent*" *Series*. L'uso di altri adattatori può danneggiare lo strumento. Inoltre, accertatevi che il vostro adattatore sia adeguato alla tensione della corrente elettrica distribuita nella zona dove userete il pianoforte.

In caso di dubbio sulla tensione della vostra zona, consultate la società fornitrice di energia elettrica o un elettricista qualificato.

Se vi spostate in un paese che utilizza una tensione diversa, consultate un rivenditore **YAMAHA** per procurarvi un nuovo adattatore idoneo.

Scollegamento del pianoforte a coda "Silent" Series dalla presa elettrica

Se prevedete di non utilizzare le funzioni digitali dello strumento per un certo periodo di tempo (una settimana o più), o se vi assentate per un periodo simile, è consigliabile scollegare l'adattatore CA dalla presa di alimentazione.

Con l'interruttore di alimentazione spento, l'adattatore consumerà solo una piccola quantità di corrente. Scollegate l'adattatore dalla presa elettrica se volete escluderlo completamente.

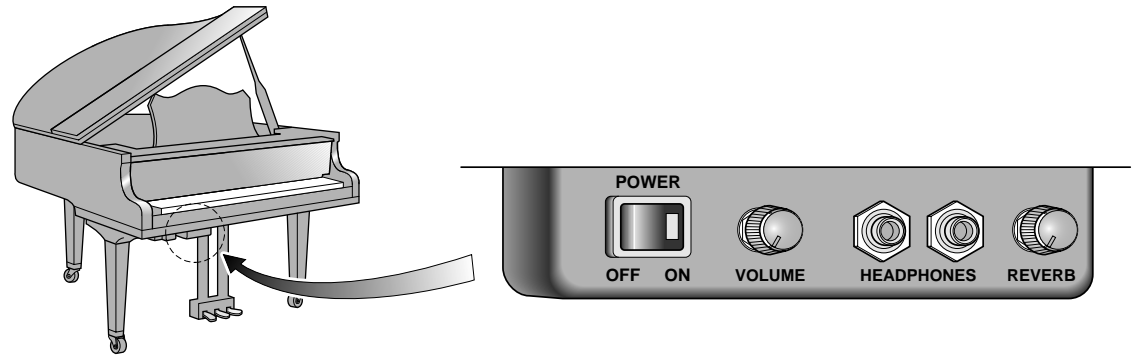
Control box — Front panel

Steuerkasten – Vorderseite

Boîte de commandes –
Panneau avant

Caja de Control – Panel
delantero

Unità di controllo – Pannello
frontale



☰ Control box — Front panel ☰

Power switch (POWER)

The power switch is used to turn the digital piano (and MIDI functions) on and off.

Volume control (VOLUME)

Adjust the volume for both headphones simultaneously.

Two headphone sockets (HEADPHONES)

You can connect two stereo headphones, allowing you to share your playing with another person.

Reverb control (REVERB)

This control adjusts the amount of reverb.

☰ Steuerkasten – Vorderseite ☰

Netzschalter (POWER)

Mit dem vorne befindlichen Netzschalter, können Sie das Digital-Piano (sowie die MIDI-Funktionen) ein- und ausschalten.

Lautstärkeregler (VOLUME)

Regelt die Lautstärke für beide Kopfhörer gleichzeitig.

Zwei Kopfhörerbuchsen (HEADPHONES)

Sie können zwei Stereokopfhörer anschließen, so daß eine weitere Person Ihrem Spiel zuhören kann.

Hall-Regler (REVERB)

Mit diesem Regler bestimmen Sie den Hallanteil.

☰ Boîte de commandes – Panneau avant ☰

Interrupteur d'alimentation (POWER)

L'interrupteur d'alimentation vous permet d'activer et de désactiver la partie numérique (et les fonctions MIDI) du piano à queue.

Commande de volume (VOLUME)

Permet de régler le volume des deux casques et les fonctions MIDI simultanément.

Deux prises de casque (HEADPHONES)

Ces deux prises permettent de raccorder deux casques d'écoute, pour faire écouter votre jeu à une autre personne.

Commande REVERB (réverbération)

Cette commande permet d'ajuster la réverbération.

☰ Caja de Control – Panel delantero ☰

Interruptor de alimentación (POWER)

El interruptor de alimentación se utiliza para activar y desactivar el piano digital (y las funciones MIDI).

Control del volumen (VOLUME)

Permite ajustar simultáneamente el volumen de ambos auriculares.

Dos entradas para auriculares (HEADPHONES)

Estas entradas pueden utilizarse para conectar dos pares de auriculares y compartir sus interpretaciones con otra persona.

Control de reverberación (REVERB)

Este control ajusta la cantidad de reverberación.

☰ Unità di controllo – Pannello frontale ☰

Interruttore di alimentazione (POWER)

L'interruttore di alimentazione serve ad accendere e spegnere il pianoforte digitale (e le funzioni MIDI).

Controllo del volume (VOLUME)

Regola il volume simultaneamente per entrambe le cuffie.

Due prese per cuffie (HEADPHONES)

Potete collegare due cuffie stereo, consentendo di far ascoltare la vostra esecuzione anche ad un'altra persona.

Comando del riverbero (REVERB)

Questo comando controlla la quantità di riverbero.

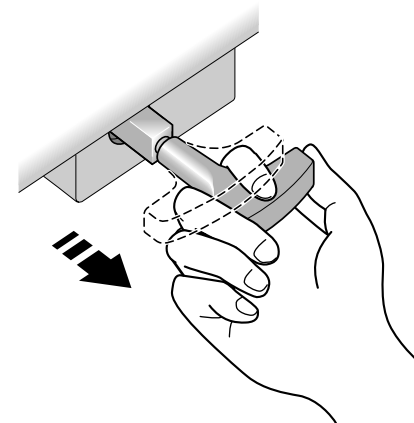
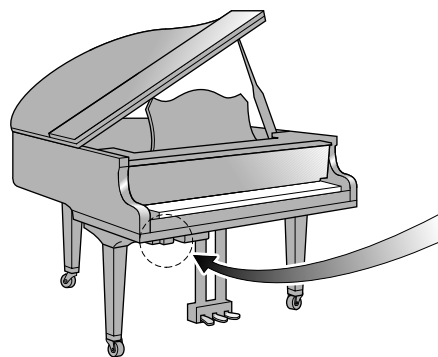
How to use your Silent Series grand piano

Über den Einsatz Ihres Flügels der "Silent"-Serie

Comment utiliser votre piano à queue de la série "Silent"

Cómo utilizar su piano de cola de la serie "Silent"

Come usare il pianoforte a coda "Silent" Series



☰ How to use your *Silent Series* grand piano ☰

1) Setting the *Silent Lever*

Pull the *Silent Lever* towards you until you hear and feel the click as the mechanism catches. This engages the *Grand Silent* system, consisting of the hammer shank stopper and the *Quick Escape* mechanism. Now when you play your *Silent Series* grand piano, all you will hear is the quiet sound of the piano action.

NOTE:

The *Silent Series* grand piano has the normal pedal arrangement of a grand piano — sustain (right), sostenuto (center), and shift (left). The functions of the pedals are the same when you play the piano electronically as when you play acoustically.

☰ Über den Einsatz Ihres Flügels der "Silent"-Serie ☰

1) Einstellung des "*Silent*"-Hebels

Ziehen Sie den "*Silent*"-Hebel heraus, bis Sie den Mechanismus einrasten hören und fühlen. Dadurch wird das "*Grand Silent*" system aktiviert, das aus dem Hammer-schaft-Stopmechanismus und dem "*Quick Escape*"-Mechanismus besteht. Wenn Sie jetzt auf Ihrem Flügel der "*Silent*"-Serie spielen, hören Sie nur noch den "stillen" Klang der Tastatur.

HINWEIS:

Der Flügel der "*Silent*"-Serie verfügt über die normale Anordnung der Pedale eines Flügels – Dämpferpedal (rechts), Sostenuto-pedal (mitte) und Verschiebungspedal (links). Die Funktionsweise der Pedale ist immer gleich, unabhängig davon, ob Sie elektronisch oder akustisch spielen.

☰ Comment utiliser votre piano à queue de la série "Silent" ☰

1) Réglage du levier de silencieux

Tirer le *levier de silencieux* vers soi jusqu'à entendre et sentir le déclic du mécanisme qui s'enclenche. Cette opération rend le système de silencieux "*Grand Silent*" opérationnel, c'est-à-dire qu'elle arrête le manche du marteau et elle met en oeuvre le mécanisme d'échappement rapide "*Quick Escape*". A présent, lorsque vous jouerez sur votre piano à queue, vous n'entendrez plus que le léger son de la mécanique du piano.

REMARQUE:

Le piano à queue de la série "*Silent*" est équipé des pédales normales pour un piano à queue - forte (à droite), tonale (milieu) et douce (à gauche). Les fonctions des pédales sont identiques, que l'on joue sur le piano de manière électronique ou acoustique.

☰ Cómo utilizar su piano de cola de la serie "Silent" ☰

1) Ajuste de la palanca del silenciador

Tirar de la *palanca del silenciador* hacia usted, hasta que escuche y sienta un "clic" que significa que el mecanismo esta en funcionamiento. Esta operación conecta el sistema "*Grand Silent*" que consiste en detener el brazo del martillo y activar el mecanismo de escape rápido "*Quick Escape*". En este momento, al tocar el piano Silent, sólo escuchará el sonido apagado de la maquinaria del piano.

NOTA:

El piano de cola de la serie "*Silent*", tiene en los pedales las mismas funciones que en un piano de cola normal.

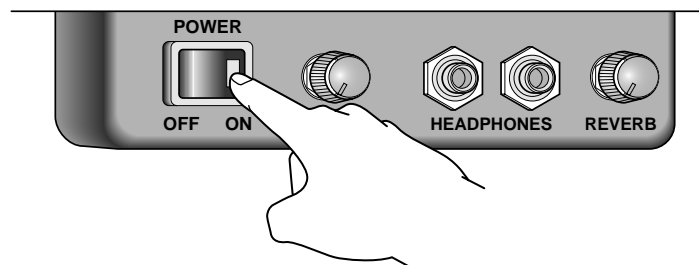
☰ Come usare il pianoforte a coda "Silent" Series ☰

1) Posizionamento della leva del silenziatore

Tirate la *leva del silenziatore* verso di voi finché non sentite uno scatto all'inserimento del meccanismo. In questo modo viene attivato il sistema "*Grand Silent*", che è costituito dal fermo dell'asta del martelletto e dal meccanismo "*Quick Escape*". Da questo momento in poi, suonando il pianoforte a coda "*Silent*" Series, tutto ciò che si potrà udire esternamente sarà il lieve azionamento della meccanica del pianoforte.

NOTA:

La disposizione dei pedali del pianoforte a coda "*Silent*" Series è la stessa di un normale pianoforte a coda: pedale destro (forte), pedale centrale (tonale), pedale sinistro (piano). La funzione dei pedali resta invariata, sia suonando il pianoforte in modo elettronico che in modo acustico.



When you want to disengage the *Grand Silent* system, gently pull the *Silent Lever* until the mechanism clicks again, then release it. The piano will sound again when you play it.

2) Switching on the digital piano

Press the power switch on the front panel. While the *Silent Series* grand piano is on, the indicator in the switch will light up.

When this switch is turned on, the digital piano can be played and MIDI data can be transmitted and received. These functions are not affected by the *Silent Lever*.

Wenn Sie das "*Grand Silent*"-System wieder außer Kraft setzen möchten, ziehen Sie am "*Silent*"-Hebel, bis der Mechanismus erneut einrastet, und lassen den Hebel los. Wenn Sie jetzt wieder spielen, klingt der Flügel wie zuvor.

2) Digitalpiano einschalten

Drücken Sie den Netzschalter auf der Vorderseite des Steuerkastens ein. Wenn der Flügel der "*Silent*"-Serie eingeschaltet ist, leuchtet die Lampe im Schalter.

Bei Drücken dieses Schalters kann das Digital-Piano verwendet werden und MIDI-Daten empfangen bzw. senden. Diese Funktionen richten sich nicht nach der Einstellung des *Silent*-Hebels.

Lorsque vous souhaitez désengager le système "*Grand Silent*", tirer doucement sur le *levier de silencieux* jusqu'à entendre de nouveau le déclic du mécanisme, puis le relâcher. Le piano produira de nouveau des sons lorsque vous jouerez.

2) Mettre le piano numérique sous tension

Appuyez sur l'interrupteur d'alimentation du panneau avant. Lorsque le piano à queue de la *série "Silent"* est activé, le témoin de l'interrupteur s'allumera.

Lorsque cet interrupteur est activé (ON), il est possible de jouer sur le piano numérique et de transmettre et recevoir des données MIDI. Le *levier Silent* ne concerne pas ces fonctions.

Si desea desactivar la función de detención de los martillos del sistema "*Grand Silent*", tire suavemente de la *palanca de silenciamiento* hasta que escuche de nuevo el "clic" del mecanismo y suéltelo. Cuando vuelva a tocar se oirá el sonido de las notas.

2) Encendido del piano numérico

Pulse el interruptor de alimentación del panel frontal. Cuando el piano de cola *serie "Silent"* esté encendido, se iluminará la lámpara integrada en dicho interruptor.

Cuando pulse este interruptor, podrá tocar el piano digital y transmitir y recibir datos MIDI. Estas funciones no afectarán la *palanca Silent*.

Quando volete disattivare il sistema "*Grand Silent*", tirate delicatamente la *leva del silenziatore* finché il meccanismo non scatta nuovamente, quindi rilasciatela. A questo punto, il pianoforte suonerà regolarmente come prima.

2) Accensione del pianoforte digitale

Premete l'interruttore di alimentazione situato sul pannello frontale. Quando il pianoforte a coda "*Silent Series*" è in funzione, la spia di questo interruttore si accende.

Quando questo interruttore è attivato, si può suonare il pianoforte digitale e trasmettere e ricevere dati MIDI. Queste funzioni non sono influenzate dalla *leva del silenziatore*.

Don't forget to turn the power off when you've finished playing your *Silent Series* grand piano. As with all electrical devices, it is a good idea to save electricity when you're not using the product.

3) Using the headphones

The *Silent Series* grand piano has two headphone sockets. If you are only using one pair of headphones, plug them into either socket.

NOTE:

The headphones supplied with your *Silent Series* grand piano have been shown to give the best results. Other headphones may be used, but for optimum results we recommend the use of **YAMAHA HPE-170** headphones.

4) Adjusting the volume

Play a few experimental notes, and use the volume control on the front to adjust the volume (clockwise for louder, counter-clockwise for quieter). The volume control adjusts the volume for both headphones.

Vergessen Sie nicht, den Schalter wieder auszuschalten, wenn Sie nicht auf dem Flügel der *"Silent"-Serie* spielen möchten. Wie bei allen elektrischen Geräten ist es ratsam, Strom zu sparen, wenn das Gerät nicht in Gebrauch ist.

3) Kopfhörer anschließen

Ihr Flügel der *"Silent"-Serie* besitzt zwei Kopfhörerbuchsen. Wenn Sie nur einen Kopfhörer benutzen, stecken Sie diesen in eine der beiden Buchsen.

HINWEIS:

Die mit Ihrem Flügel der *"Silent"-Serie* mitgelieferten Kopfhörer haben die besten Ergebnisse geliefert. Es können auch andere Kopfhörer benutzt werden, für den optimalen Klang empfehlen wir jedoch die Verwendung der Kopfhörer **YAMAHA HPE-170**.

4) Lautstärke einstellen

Spielen Sie zur Probe einige Töne, und benutzen den Lautstärkereglern VOLUME, um die Lautstärke einzustellen (im Uhrzeigersinn für "lauter", gegen den Uhrzeigersinn für "leiser"). Der Lautstärkereglern regelt die Lautstärke für beide Kopfhörer.

N'oubliez pas de mettre cet interrupteur hors tension lorsque vous avez fini de jouer sur le piano à queue de la *série "Silent"*. Comme dans le cas de tous les appareils électriques, il convient d'économiser de l'électricité lorsque vous ne l'utilisez pas.

3) Connexion du casque

Le piano à queue de la *série "Silent"* possède deux prises de casque. Si vous n'utilisez qu'un casque, branchez-le dans l'une ou l'autre des deux prises.

REMARQUE:

Le casque fourni avec votre piano à queue de la *série "Silent"* a été conçu pour donner les meilleurs résultats. Il est possible d'utiliser d'autres casques mais pour obtenir les meilleurs résultats, nous recommandons d'utiliser le casque HPE-170 de YAMAHA.

4) Réglage du volume

Jouez quelques notes d'essai et utilisez la commande du volume du panneau avant pour régler le volume (dans le sens des aiguilles d'une montre pour l'augmenter et dans le sens contraire des aiguilles d'une montre pour le réduire). La commande de volume permet de régler le volume des deux casques.

No olvide desconectar este interruptor cuando deje de tocar el piano de cola *serie "Silent"*. Al igual que otros productos eléctricos, siempre es bueno ahorrar un poco de electricidad cuando no se usa el producto.

3) Conexión de los auriculares

El piano de cola *serie "Silent"* está provisto de dos entradas para auriculares. Si sólo utiliza un juego de auriculares, puede elegir cualquier entrada.

NOTA:

Los auriculares suministrados con su piano *serie "Silent"* han sido ideados para dar los mejores resultados con el piano de cola *serie "Silent"*. Se pueden utilizar otros auriculares, pero si desea obtener resultados óptimos recomendamos el uso de los auriculares HPE-170 de YAMAHA.

4) Ajuste del volumen

Toque unas notas y utilice el control de volumen situado en la parte frontal para ajustar el volumen (hacia la derecha para aumentar el volumen y hacia la izquierda para reducirlo). El control de volumen ajusta el volumen de ambos auriculares.

Non dimenticate di spegnere lo strumento quando avete finito di suonare il pianoforte *"Silent" Series*. Come per tutte le apparecchiature elettriche, è consigliabile risparmiare corrente quando non vengono utilizzate.

3) Inserite le cuffie

Il pianoforte a coda *"Silent" Series* è provvisto di due prese per cuffie. Se utilizzate una sola cuffia, inseritela indifferentemente in una delle due prese.

NOTA:

La migliore qualità di ascolto si ottiene utilizzando le cuffie fornite con il vostro pianoforte a coda *"Silent" Series*. Possono essere usate anche altre cuffie, ma per risultati ottimali vi raccomandiamo l'uso di cuffie YAMAHA HPE-170.

4) Regolazione del volume

Suonate alcune note e usate il controllo del volume sulla parte frontale del pannello per regolare il volume (ruotate in senso orario per avere un volume maggiore; in senso antiorario, per un volume più basso). Questo controllo regola il volume per entrambe le cuffie.

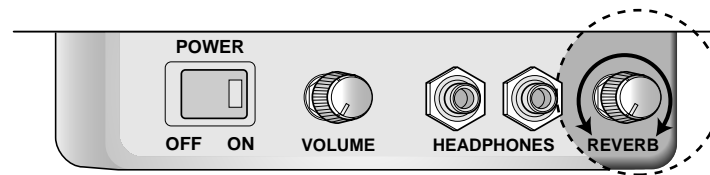
Reverb

Reverb (Halleffekt)

Reverb

Reverberación

Riverbero



☰ Reverb ☰

The *Silent Series* grand piano features sophisticated reverberation effects, which enhance the digital piano by adding natural ambience to the sound.

Setting the amount of reverb

The amount of reverb applied to the digital piano sound is determined by the REVERB control on the control box. Turn the control clockwise to increase the reverb, counter-clockwise to decrease it. Reverb is off when the REVERB control is turned fully counter-clockwise.

☰ Reverb (Halleffekt) ☰

Der Flügel der *“Silent”-Serie* ist mit einem hervorragenden Halleffekt ausgestattet, mit dem Sie dem Klang die notwendige “Rauminformation” verleihen können.

Einstellen des Hallanteils

Die Lautstärke des Halleffekts (den Hallanteil) des Digital-Pianoklangs kann man mit dem REVERB-Regler des Bedienfeldes einstellen. Drehen Sie diesen Regler im Uhrzeigersinn, um die Lautstärke des Halls zu erhöhen. Wenn Sie den Halleffekt nicht brauchen, müssen Sie den REVERB-Regler ganz nach links drehen.

☰ Reverb ☰

Le piano à queue de la *série "Silent"* offre de superbes effets de réverbération qui soulignent encore la sonorité du piano numérique en y ajoutant une dimension d'espace naturel.

Réglage de la quantité de réverbération

La commande REVERB de la boîte de commandes détermine la réverbération appliquée au son du piano. Tournez la commande dans le sens des aiguilles d'une montre pour augmenter la réverbération et dans l'autre sens pour la diminuer. La réverbération est coupée lorsque la commande est tournée à bout de course dans le sens contraire des aiguilles d'une montre.

☰ Reverberación ☰

El piano de cola de la *serie "Silent"* se caracteriza por excelentes efectos de reverberación, que mejoran el piano digital añadiendo ambiente natural al sonido.

Ajuste del nivel de reverberación

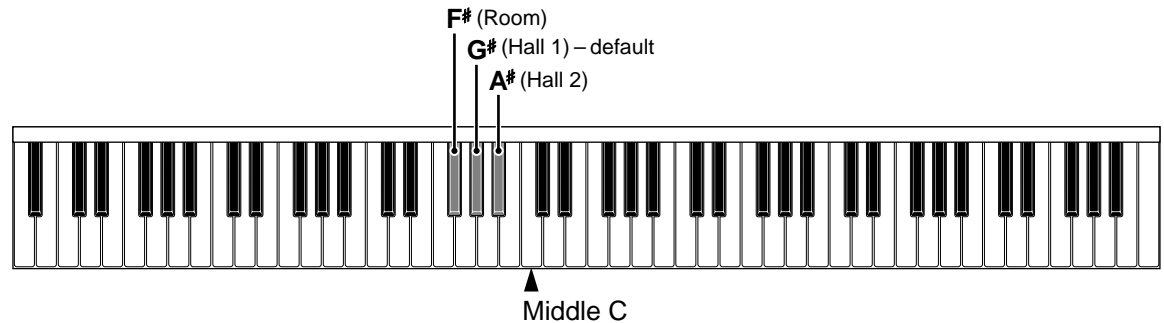
El nivel de reverberación aplicado al sonido del piano digital podrá determinarse con el control REVERB de la caja de control. Gire el control hacia la derecha para aumentar la reverberación, y hacia la izquierda para reducirla. Si gira el control REVERB completamente hacia la izquierda, la reverberación se anulará.

☰ Riverbero ☰

Il pianoforte a coda "*Silent*" *Series* è dotato di effetti di riverbero sofisticati, che potenziano il pianoforte digitale aggiungendo un'atmosfera naturale al suono.

Selezione della quantità di riverbero

La quantità di riverbero applicata al suono del pianoforte digitale è determinata dal comando REVERB sull'unità di controllo. Girare il comando in senso orario per aumentare il riverbero o in senso antiorario per diminuirlo. Il riverbero è disattivato quando il comando REVERB è girato completamente in senso antiorario.



Setting the type of reverb

The digital piano features three different reverb programs: **Room**, **Hall 1**, and **Hall 2**. You can select the reverb programs by holding down certain keys while turning the power switch on.

NOTE:

Hall 1 is the default reverb program. It is selected even if you don't press any keys when turning the power switch on.

To select a reverb program, hold down one of the keys shown in the illustration while turning the power switch on.

NOTE:

You must hold the key down until a click is heard and then release it. Otherwise, the desired reverb program may not be selected.

Anwahl des Halltyps

Ihr Digital-Piano bietet drei verschiedene Halltypen: **Room** (Zimmer), **Hall 1** (Saal) und **Hall 2**. Wenn Sie beim Einschalten des Gran-Touch bestimmte Tasten drücken, können Sie einen anderen Halltyp anwählen.

HINWEIS:

Hall 1 ist die Werksvorgabe, die auch dann gewählt wird, wenn Sie beim Einschalten keine Taste drücken.

Um ein Hallprogramm anzuwählen, müssen Sie eine der in der Abbildung angezeigten Tasten gedrückt halten, während Sie das Instrument einschalten.

HINWEIS:

Sie müssen die betreffende Taste so lange gedrückt halten, bis Sie ein Klicken hören, da sonst u.U. nicht das gewünschte Hallprogramm aufgerufen wird.

Réglage du type de réverbération

Le piano numérique propose trois programmes de réverbération différents: **Room, Hall 1** et **Hall 2**. Pour sélectionner un de ces programmes, il suffit de maintenir certaines touches enfoncées lors de la mise sous tension.

REMARQUE:

Hall 1 est le programme de réverbération par défaut: il est donc sélectionné même si vous n'enfonchez aucune touche lors de la mise sous tension.

Pour sélectionner un programme de réverbération, maintenez une des touches reprises dans l'illustration enfoncée tout en mettant l'instrument sous tension.

REMARQUE:

Vous devez maintenir la touche enfoncée jusqu'à ce qu'un déclic se produise et la relâcher faute de quoi le programme voulu risque de ne pas être sélectionné.

Ajuste del tipo de reverberación

El piano digital se caracteriza por tres programas diferentes de reverberación: **Sala, Sala de conciertos 1**, y **Sala de conciertos 2**. Usted podrá seleccionar los programas de reverberación manteniendo presionadas ciertas teclas al conectar la alimentación.

NOTA:

Sala 1 es el programa de reverberación inicial. Este programa se seleccionará incluso aunque no mantenga presionada ninguna tecla al conectar la alimentación.

Para seleccionar un programa de reverberación, mantenga presionada una de las teclas mostradas en la ilustración siguiente mientras conecte la alimentación.

NOTA:

Usted deberá mantener presionada la tecla hasta que oiga un chasquido y después soltarla. De lo contrario, no se seleccionará el programa de reverberación deseado.

Selezione del tipo di riverbero

Il pianoforte digitale è dotato di tre diversi programmi di riverbero: **Room, Hall 1** e **Hall 2**. È possibile selezionare il tipo di riverbero tenendo premuti certi tasti durante l'accensione.

NOTA:

Hall 1 è il programma di riverbero di default. È selezionato anche se non si preme alcun tasto durante l'accensione.

Per selezionare un programma di riverbero, tenere premuto uno dei tasti indicati nell'illustrazione durante l'accensione.

NOTA:

Si deve tenere premuto il tasto fino ad udire uno scatto e quindi rilasciare il tasto. Altrimenti il programma di riverbero desiderato può non essere selezionato.

F#	Room	This reverb program simulates the reverb of a live room.
G#	Hall 1 (default)	This reverb program simulates the reverb of a small concert hall.
A#	Hall 2	This reverb program simulates the reverb of a large concert hall.

NOTE:

When you turn off the digital piano, it does not remember which reverb program you used. Next time you use the digital piano, reselect the desired reverb program.

F#	Room	Dieses Hallprogramm ist eine Nachempfindung eines größeren Raumes.
G#	Hall 1 (default)	Dieses Hallprogramm ist eine Nachempfindung eines kleinen Konzertsaals.
A#	Hall 2	Dieses Hallprogramm ist eine Nachempfindung eines großen Konzertsaals.

HINWEIS:

Das Digital-Piano kann die Hallprogrammwahl nicht speichern. Bei der nächsten Inbetriebnahme müssen Sie das betreffende Programm also wieder aufrufen (sofern Sie nicht Hall 1 verwenden möchten).

Fa[#] (F[#])	Room	Ce programme de réverbération simule la réverbération d'une pièce.
Sol[#] (G[#])	Hall 1 (par défaut)	Ce programme de réverbération simule la réverbération d'une petite salle de concert.
La[#] (A[#])	Hall 2	Ce programme de réverbération simule la réverbération d'une grande salle de concert.

REMARQUE:

A la mise sous tension, le piano numérique ne se rappelle plus du programme de réverbération utilisé en dernier lieu. Il faut donc resélectionner le programme voulu.

Fa[#] (F[#])	Room	Este programa de reverberación simula la reverberación de una sala.
Sol[#] (G[#])	Hall 1 (inicial)	Este programa de reverberación simula la reverberación de una sala de conciertos pequeña.
La[#] (A[#])	Hall 2	Este programa de reverberación simula la reverberación de una sala de conciertos grande.

NOTA:

Cuando desconecte la alimentación del piano digital, éste no recordará el programa de reverberación utilizado. la próxima vez que utilice el piano digital, tendrá que volver a seleccionar el programa de reverberación deseado.

Fa[#] (F[#])	Room	Questo programma di riverbero simula il riverbero di una stanza viva.
Sol[#] (G[#])	Hall 1 (default)	Questo programma di riverbero simula il riverbero di una piccola sala da concerti.
La[#] (A[#])	Hall 2	Questo programma di riverbero simula il riverbero di una grande sala da concerti.

NOTA:

Quando si spegne il pianoforte digitale, il programma usato non rimane memorizzato. Quando si accende il pianoforte digitale la volta successiva, selezionare di nuovo il programma desiderato.

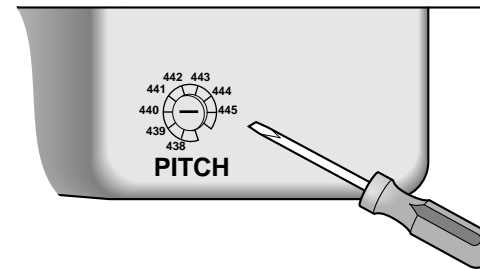
Pitch

Stimmung

Diapason

Diapasón

Tono



≡ Pitch ≡

The digital piano allows you to adjust the tuning in small increments, which helps simulate the tuning curve of an acoustic piano. This also can be used for ensemble playing, or if you have perfect pitch and customarily work with a tuning other than A=440.

The pitch can be adjusted in one hertz steps from 438 to 445 hertz (one hertz is about four cents).

Adjusting the pitch

You'll need a small, flat-blade screwdriver to adjust the PITCH switch, which is located on the right side of the control box.

NOTE:

The PITCH switch setting is remembered when the digital piano is turned off.

≡ Stimmung ≡

Das Digital-Piano kann in kleinen Schritten gestimmt werden, so daß die Stimmung eines akustischen Instruments simuliert werden kann. Diese Funktion kann auch beim Zusammenspiel mit anderen Instrumenten eingesetzt werden, oder, wenn Sie für gewöhnlich mit einer anderen Stimmung als A=440 arbeiten.

Daher können Sie die Stimmung im Bereich 438 bis 445 Hertz ändern (ein Hertz vertritt ungefähr vier Halbtonhundertstel).

Andern der Stimmung

Die Einstellung des PITCH-Reglers können Sie nur mit einem kleinen Schraubenzieher ändern. Der Regler befindet sich an der rechten Seite des Bedienfeldes (siehe Abbildung).

HINWEIS:

Die Einstellung des PITCH-Reglers bleibt auch nach dem Ausschalten erhalten.

Diapason

Le piano numérique permet de régler l'accordage par petits incréments et de simuler ainsi la courbe d'accordage d'un piano acoustique. Vous pouvez utiliser cette possibilité pour le jeu en ensemble ou si vous avez une hauteur parfaite, pour les accordages autres que $A=440$.

Le diapason peut être réglé par pas d'un hertz sur une plage allant de 438Hz à 445Hz (un hertz équivaut environ à quatre cents).

Réglage du diapason

Il vous faut un petit tournevis plat pour modifier la position du dispositif de réglage PITCH. Ce dispositif est situé sur la face droite de la boîte de commandes, comme vous pouvez le voir ci-dessous.

REMARQUE:

Le réglage du dispositif PITCH est conservé à la mise hors tension du piano acoustique.

Diapasón

El piano digital permite ajustar el diapasón en pequeños pasos, lo cual ayuda a simular la curva de sintonización de un piano acústico. Esto también se puede utilizar para interpretaciones en conjuntos, o si tiene un tono perfecto y suele trabajar con un ajuste diferente de $A=440$.

El diapasón podrá ajustarse en pasos de un hertzio desde 238 a 445 hertzios (un hertzio es aproximadamente una centésima de semitono).

Ajuste del diapasón

Usted necesitará un destornillador pequeño de punta plana para ajustar el selector PITCH, que se encuentra en la parte derecha de la caja de control.

NOTA:

El ajuste del selector PITCH se conservará aunque desconecte la alimentación del piano digital.

Tono

Il pianoforte digitale vi permette di regolare l'accordatura con piccoli incrementi che contribuiscono a simulare la curva di accordatura di un pianoforte acustico. Questa funzione può essere usata per suonare in un ensemble, oppure se avete un'accordatura perfetta e volete suonare con un'accordatura diversa dal $A = 440$ Hz.

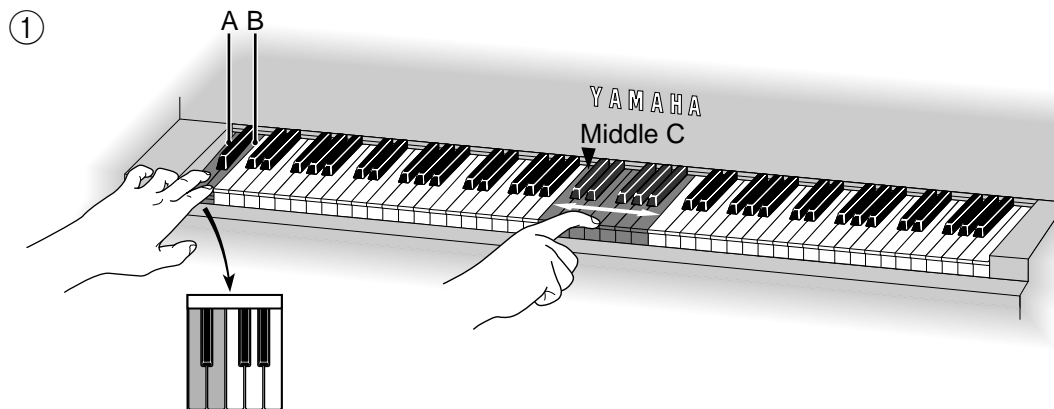
Il tono può essere regolato in scatti di uno hertz da 438 a 445 hertz (uno hertz equivale a circa quattro centesimi).

Regolazione del tono

È necessario un piccolo cacciavite a lama piatta per regolare l'interruttore PITCH, situato sul lato destro dell'unità di controllo.

NOTA:

La regolazione dell'interruttore PITCH rimane memorizzata quando si spegne il pianoforte digitale.



Fine tuning

As well as being able to tune the digital piano in one hertz steps with the PITCH switch, you can also fine tune it using the keyboard. The digital piano can be tuned up or down 50 cents, in 1.2 cent steps (100 cents equals one semitone). This allows you to achieve a perfect tuning match between the digital piano and another instrument, or a slightly off-speed cassette player.

NOTE:

Fine tuning settings are not remembered when the digital piano is turned off.

Tuning up

To finely tune up the digital piano, hold down the A and B keys at the far left of the keyboard and press any one of the keys from middle C to B. It doesn't matter which key you press, just so long as it's in the middle C to B range, which is shown highlighted in the illustration. ① The pitch is raised 1.2 cents for each key press.

Feinstimmung

Wie Sie bereits wissen, kann man das Digital-Piano mit Hilfe des PITCH-Reglers in Hertz-Schritten stimmen. Mit den Tasten kann man das Instrument jedoch in feineren Schritten stimmen. Die Tonhöhe kann dann nämlich in 1,2 Cent-Schritten (100 Cent= 1 Halbton) um bis zu 50 Cent erhöht oder verringert werden. Dank dieser Funktion können Sie das Digital-Piano also haarfein zu einem anderen Instrument oder einem etwas trägen Cassettenrecorder stimmen.

HINWEIS:

Die Einstellung der Feinstimmung wird beim Ausschalten des Digital-Piano wieder gelöscht.

Höher stimmen

Um das Digital-Piano eine Idee höher zu stimmen, müssen Sie das unterste A und H gedrückt halten, während Sie eine Taste zwischen dem mittleren C und dem H ① drücken. Beim Betätigen einer dieser Tasten wird die Tonhöhe jeweils um 1,2 Cent angehoben.

Accord fin

Oltre le réglage du diapason du piano numérique par pas d'un hertz, vous pouvez également affiner votre réglage en vous servant du clavier. Le piano numérique peut être accordé de plus ou moins 50 cents par pas de 1,2 cents (100 cents équivalent à un demi-ton). Cela vous permet d'obtenir un accord parfait entre le piano numérique et un autre instrument, ou un lecteur de cassette dont la vitesse n'est plus idéale.

REMARQUE:

Les réglages d'accord fin ne sont pas conservés après la mise hors tension du piano numérique.

Monter le diapason

Pour accorder le piano numérique avec finesse, maintenez les touches La (A) et Si (B) de l'extrémité gauche du clavier enfoncées et appuyez sur n'importe quelle touche allant du Do (C) médian à Si (B). Peu importe la touche enfoncée du moment qu'elle soit comprise dans la plage allant de Do (C) à Si (B) reprise en grisé dans l'illustration. (1) La hauteur est élevée de 1,2 cents à chaque pression.

Afinación precisa

Además de poder afinar el piano digital en pasos de un hertzio con el selector PITCH, también podrá afinarlo utilizando el teclado. El piano digital podrá afinarse 50 centésimas de semitono hacia arriba y hacia abajo en pasos de 1,2 centésimas de semitono (100 centésimas equivalen a un semitono). Esto le permitirá lograr la afinación perfecta entre el piano digital y otro instrumento, o una grabadora de cassettes con velocidad ligeramente descentrada.

NOTA:

Los ajustes de afinación precisa no se conservarán cuando desconecte la alimentación del piano digital.

Aumentar el precisa

Para afinar con precisión hacia arriba el piano digital, mantenga presionadas las teclas La (A) y Si (B) de la parte izquierda del teclado y presione una de las teclas de Do (C) a Si (B) centrales. No importa la tecla que presione, siempre y cuando esté dentro de la gama central de Do (C) a Si (B), que se indica sombreada en la ilustración. (1) El diapason aumentará 1,2 centésimas de semitono por cada tecla que presione.

Accordatura precisa

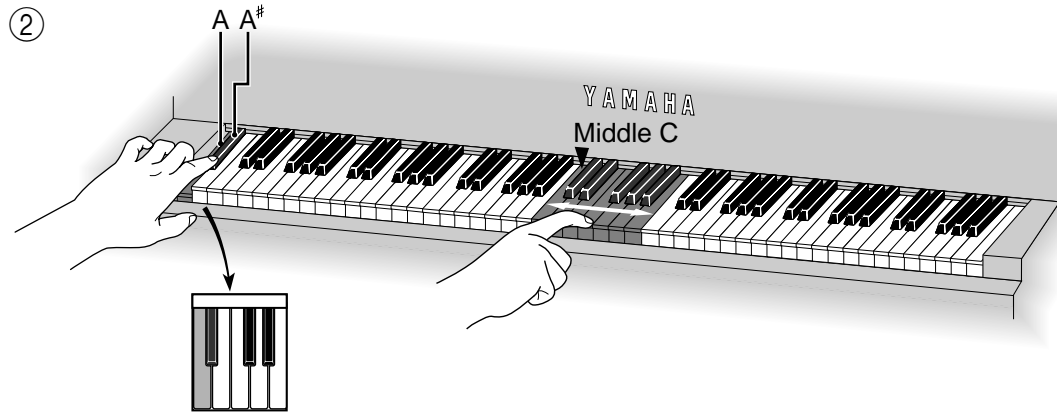
Oltre all'accordatura del pianoforte digitale in scatti di uno hertz con l'interruttore PITCH, è possibile accordare precisamente usando la tastiera. Il pianoforte digitale può essere accordato a salire o scendere di 50 centesimi, in scatti di 1,2 centesimi (100 centesimi corrispondono ad un semitono). Questo consente di ottenere una perfetta corrispondenza di accordatura tra il pianoforte digitale e un altro strumento, o un lettore di nastri a velocità rallentata.

NOTA:

Le regolazioni di accordatura precisa non rimangono memorizzate quando si spegne il pianoforte digitale.

Aumentare l'accordatura

Per accordare precisamente il pianoforte digitale a salire, tenere premuti i tasti La (A) e Si (B) all'estrema sinistra della tastiera e premere uno dei tasti dal Do (C) centrale al Si (B). Non importa quale tasto si preme, purché sia nella gamma dal Do (C) centrale al Si (B), che appare evidenziata nell'illustrazione. (1) Il tono viene alzato di 1,2 centesimi a ciascuna pressione.



Tuning down

To finely tune down the digital piano, hold down the A and A[#] keys at the far left of the keyboard and press any one of the keys from middle C to B. It doesn't matter which key you press, just so long as it's in the middle C to B range, which is shown highlighted in the illustration. ② The pitch is lowered 1.2 cents for each key press.

Resetting the pitch

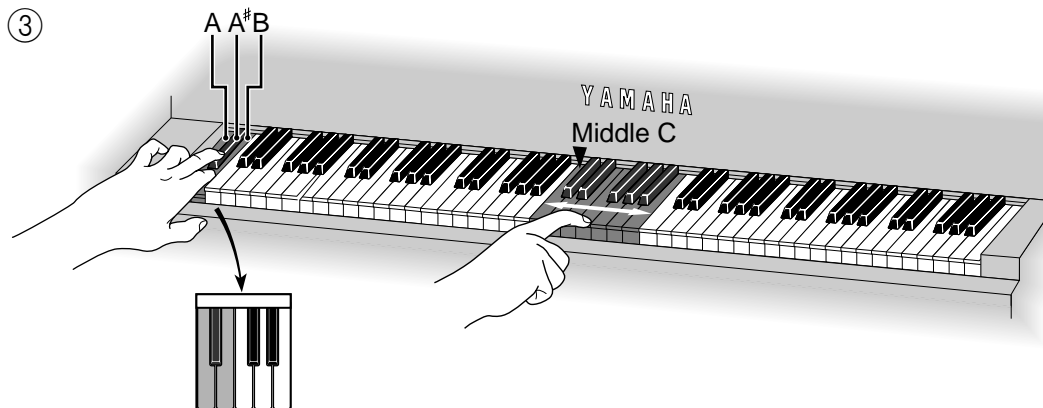
To reset the pitch of the digital piano, hold down the A, A[#], and B keys at the far left of the keyboard and press any one of the keys from middle C to B. It doesn't matter which key you press, just so long as it's in the middle C to B range, which is shown highlighted in the illustration. ③ The pitch is reset to that specified by the PITCH switch.

Tiefer stimmen

Um das Digital-Piano eine Idee höher zu stimmen, müssen Sie das unterste A und A[#] gedrückt halten, während Sie eine Taste zwischen dem mittleren C und dem H drücken. Welche Taste Sie genau drücken, ist unerheblich, Hauptsache sie liegt zwischen dem in Abbildung ② gezeigten C und H. Beim Betätigen einer dieser Tasten wird die Tonhöhe jeweils um 1,2 Cent verringert.

Rücksetzen der Stimmung

Um wieder die Werksvorgabe des Digital-Piano aufzurufen, müssen Sie das unterste A, A[#] und H gedrückt halten, während Sie eine Taste zwischen dem mittleren C und dem H drücken. Welche Taste Sie genau drücken, ist unerheblich, Hauptsache sie liegt zwischen dem in Abbildung ③ gezeigten C und H. Beim Betätigen einer dieser Tasten rufen Sie wieder die mit dem PITCH-Regler eingestellte Frequenz auf.



Baisser le diapason

Pour accorder le piano numérique avec finesse vers le bas, maintenez les touches La (A) et La[#] (A[#]) de l'extrémité gauche du clavier enfoncées et appuyez sur n'importe quelle touche de la plage allant du Do médian au Si (B). Peu importe la touche enfoncée du moment qu'elle soit comprise dans la plage allant de Do (C) à Si (B) reprise en grisé dans l'illustration.(2) La hauteur est abaissée de 1,2 cents à chaque pression.

Rappel du diapason

Pour rappeler le diapason original du piano numérique, maintenez les touches La (A), La[#] (A[#]) et Si (B) de l'extrémité gauche du clavier enfoncées et appuyez sur n'importe quelle touche située entre le Do médian et le Si (B). Peu importe la touche enfoncée du moment qu'elle soit comprise dans la plage allant de Do (C) à Si (B) reprise en grisé dans l'illustration.(3) La hauteur est ramenée à celle spécifiée par le dispositif PITCH.

Disminuir el abajo

Para afinar con precisión hacia abajo el piano digital, mantenga presionadas las teclas La (A) y La[#] (A[#]) de la parte izquierda del teclado y presione una de las teclas de Do (C) a Si (B) centrales. No importa la tecla que presione, siempre y cuando esté dentro de la gama central de Do (C) a Si (B), que se indica sombreada en la ilustración.(2) El diapason se reducirá 1,2 centésimas de semitono por cada tecla que presione.

Restablecer del diapason

Para reponer el diapason del piano digital, mantenga presionadas las teclas La (A), La[#] (A[#]), y Si (B) de la parte izquierda del teclado y presione una de las teclas de Do (C) a Si (B) centrales. No importa la tecla que presione, siempre y cuando esté dentro de la gama central de Do (C) a Si (B), que se indica sombreada en la ilustración.(3) El diapason se repondrá al especificado con el selector PITCH.

Abbassare l'accordatura

Per accordare precisamente il pianoforte digitale a scendere, tenere premuti i tasti La (A) e La[#] (A[#]) all'estrema sinistra della tastiera e premere uno dei tasti dal Do centrale al Si (B). Non importa quale tasto si preme, purché sia nella gamma dal Do centrale al Si (B), che appare evidenziata nell'illustrazione.(2) Il tono viene abbassato di 1,2 centesimi a ciascuna pressione.

Ripristino del tono

Per ripristinare il tono del pianoforte digitale, tenere premuti i tasti La (A), La[#] (A[#]) e Si (B) all'estrema sinistra della tastiera e premere uno dei tasti dal Do centrale al Si (B). Non importa quale tasto si preme, purché sia nella gamma dal Do centrale al Si (B), che appare evidenziata nell'illustrazione.(3) Il tono viene riportato a quello specificato con l'interruttore PITCH.

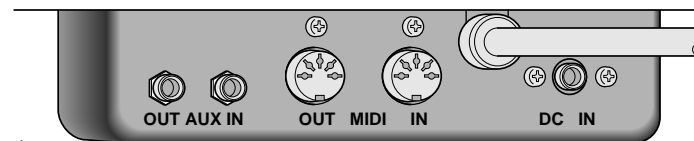
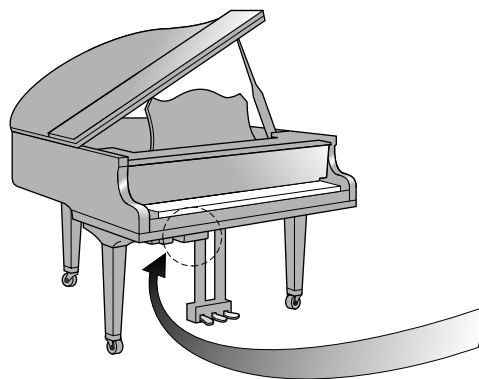
Control box — Rear panel

Steuerkasten – Rückseite

Boîte de commandes –
Panneau arrière

Caja de mandes – Parte
trasera

Unità di controllo – Pannello
posteriore



Control box — Rear panel

AUX IN/OUT

Use these terminals to connect your *Silent Series* grand piano to audio equipment (see page 37).

MIDI IN/OUT

Use these terminals to connect a MIDI instrument. See page 43 for details.

NOTE:

MIDI terminals do not transmit or receive sound — they transmit and receive instructions.

DC IN

Connect the supplied AC Adaptor to this socket (see page 11).

Steuerkasten – Rückseite

AUX IN/OUT

Benutzen Sie diese Anschlüsse, um Ihren Flügel der *“Silent”-Serie* an andere Audio-Geräte anzuschließen (siehe Seite 37).

MIDI IN/OUT

Benutzen Sie diese Buchsen für den Anschluß eines MIDI-Instruments. Lesen Sie auf Seite 43 für Einzelheiten.

HINWEIS:

MIDI-Buchsen übertragen nicht den Klang selbst – sondern nur Anweisungen zur Erzeugung des Klangs.

DC IN

Schließen Sie an dieser Buchse den mitgelieferten Steckernetzteil an (siehe Seite 11).

☰ Boîte de commandes – Panneau arrière ☰

AUX IN/OUT

Utilisez ces prises pour connecter votre piano à queue de la *série "Silent"* à des équipements audio (voir page 38).

MIDI IN/OUT

Utilisez ces bornes pour connecter un instrument MIDI. Voir page 44 pour plus de détails.

REMARQUE: _____

Les bornes MIDI ne transmettent ni ne reçoivent des sons- elles transmettent et reçoivent des instructions.

DC IN

Connecter l'adaptateur secteur fourni à cette borne (voir page 12).

☰ Caja de mandes – Parte trasera ☰

AUX IN/OUT

Utilizar estos terminales para conectar su piano de cola *série "Silent"* a otros equipos audio (véase página 38).

MIDI IN/OUT

Utilice estos terminales para conectar un instrumento MIDI. Véase página 44 para mayores detalles al respecto.

NOTA: _____

Los terminales MIDI no transmiten ni reciben sonidos - sólo transmiten y reciben instrucciones.

DC IN

Conectar el adaptador de CA suministrado a este terminal (véase página 12).

☰ Unità di controllo – Pannello posteriore ☰

AUX IN/OUT

Utilizzate queste prese per collegare il pianoforte a coda *"Silent" Series* ad apparecchiature audio (vedere pagina 38).

MIDI IN/OUT

Utilizzate questi connettori per collegare uno strumento MIDI. Vedere a pagina 44 per ulteriori dettagli.

NOTA: _____

Le interfacce MIDI non trasmettono o ricevono i suoni: essi trasmettono e ricevono istruzioni.

DC IN

Collegate a questa presa l'adattatore CA fornito in dotazione (vedere pagina 12).

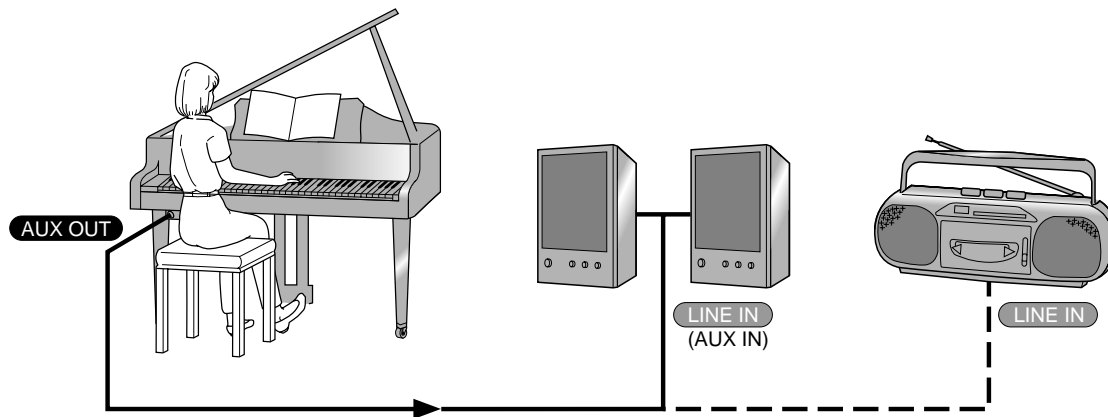
Using the AUX terminals

Benutzung der AUX-Anschlüsse

Utilisation des connecteurs AUX

Utilización de los terminales AUX

Utilizzo delle prese AUX



Using the AUX terminals

You can connect your *Silent Series* grand piano to external audio devices, such as a stereo system, a tape recorder, or a CD player. It allows you to play along with your favorite recordings — or to record your own playing. With the *Grand Silent* system engaged, the *Silent Series* grand piano makes it easy. You simply connect the device to one of the AUX terminals at the back of the control box (see page 35).

NOTE:

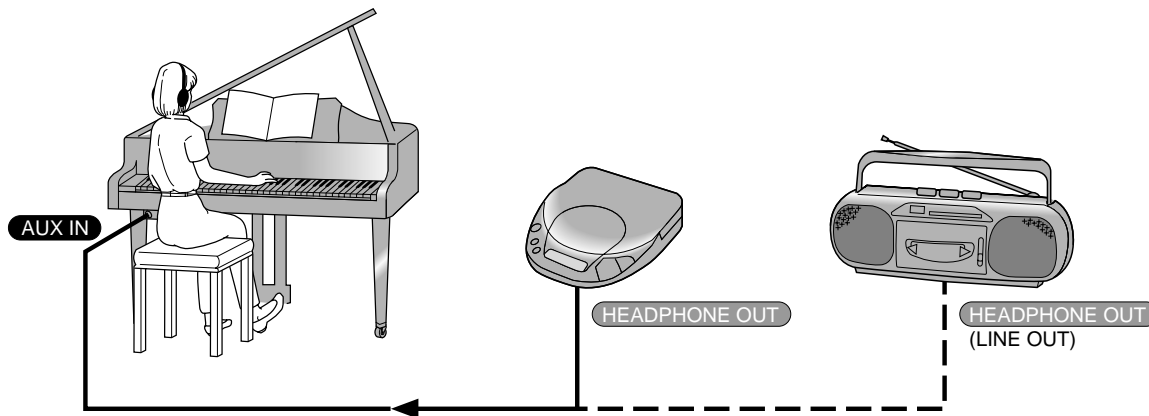
The AUX IN/OUT terminals require stereo mini-phone jacks. You may need special cables and/or adaptors to connect some devices.

Benutzung der AUX-Anschlüsse

Sie können Ihren Flügel der "*Silent*"-Serie an externe Audio-Geräte wie ein Stereo-Verstärkersystem, einen Cassettenrecorder oder einen CD-Spieler anschließen. Dadurch können Sie zu Ihren Lieblingsaufnahmen dazuspielen – oder Ihr eigenes Spiel aufnehmen. Mit aktiviertem "*Grand Silent*"-System ist dies sehr leicht. Sie schließen das Gerät einfach an einen der AUX-Anschlüsse an der Rückseite des Steuerkastens an (siehe Seite 35).

HINWEIS:

Die Anschlüsse AUX IN/OUT erfordern Stereo-Miniklinkenstecker. Für den Anschluß einiger Geräte benötigen Sie evtl. spezielle Kabel und/oder Adapter.



Utilisation des connecteurs AUX

Il est possible de connecter le piano à queue de la *série "Silent"* à des appareils audio externes, tels qu'un système stéréo, un enregistreur à cassettes ou un lecteur de disques compacts. Cela permet de jouer en même temps que ses enregistrements favoris - ou d'enregistrer son propre jeu. Lorsque le système *"Grand Silent"* est opérationnel, il est très simple d'utiliser ces fonctions du piano à queue de la *série "Silent"*. Il suffit de connecter l'appareil à une des bornes AUX située à l'arrière de la boîte de commandes (voir page 36).

REMARQUE:

Les bornes AUX IN/OUT doivent être connectées à des mini-fiches stéréo. Il se peut que certains câbles et/ou adaptateurs spéciaux soient nécessaires pour pouvoir connecter certains appareils.

Utilización de los terminales AUX

Se puede conectar el piano de cola *serie "Silent"* a varios aparatos audio externos, tales como un sistema estereo, una grabadora o un lector de compact discs. Así puede tocar el piano y escuchar sus grabaciones favoritas - o grabar lo que toca. Cuando el sistema *"Grand Silent"* está operacional, resulta fácil utilizar esas funciones del piano de cola *serie "Silent"*. Sólo hace falta conectar el aparato a uno de los terminales AUX que se encuentran en la parte trasera de la caja de mandos (véase página 36).

NOTA:

Los terminales AUX IN/OUT deben ser conectados a mini-enchufes estereo. Puede que necesite cables y/o adaptadores especiales para conectar ciertos aparatos.

Utilizzo delle prese AUX

Potete collegare il vostro pianoforte a coda *"Silent" Series* ad apparecchiature audio esterne, come sistemi hi-fi, registratori o lettori di CD. Ciò vi consentirà di suonare in accompagnamento ai vostri brani preferiti, oppure di registrare le vostre esecuzioni. Tutto ciò è reso molto semplice una volta attivato il sistema *"Grand Silent"* del pianoforte a coda *"Silent" Series*. E' sufficiente collegare l'apparecchiatura ad una delle prese AUX situate dietro l'unità di controllo (vedere pagina 36).

NOTA:

Nelle prese AUX IN/OUT vanno inseriti dei mini-jack stereo. Per il collegamento di alcune apparecchiature potrebbero essere necessari dei cavi e/o adattatori speciali.

AUX OUT

In case you do not like using headphones, you can connect your *Silent Series* grand piano to amplified speakers. You can also connect this terminal to a tape recorder to record your performance on the digital piano (see the illustration on page 37).

- ‡ Connect a cable from the AUX OUT terminal to the correct terminal on the external audio device.
- ‡ Turn the *Silent Series* grand piano on first. This will prevent any unwanted pops or loud noises which could damage speakers or a tape recorder.
- ‡ Start playing the piano. Carefully turn up the volume until a comfortable level is obtained.

AUX IN

You can connect a CD or tape player to the *Silent Series* grand piano. This will allow you to play along with a favorite recording (see the illustration on page 38).

- ‡ Simply plug the headphone output of your tape or CD player into the AUX IN terminal.
- ‡ Adjust the volume of the tape or CD player as you play along. You may also need to adjust the volume of the piano.

AUX OUT

Für den Fall, daß Sie nicht über Kopfhörer spielen mögen, können Sie Ihren Flügel der "*Silent*"-Serie an Aktivboxen oder Verstärker und Lautsprecher anschließen. Sie können diese Buchse auch mit einem Cassettenrecorder verbinden, um Ihr Spiel auf dem Digitalpiano auf Cassette aufzunehmen (siehe Abbildung auf Seite 37).

- ‡ Verbinden Sie die Buchse AUX OUT mit der richtigen Buchse des externen Audio-Gerätes.
- ‡ Schalten Sie zuerst den Flügel der "*Silent*"-Serie ein. Dadurch vermeiden Sie die Verstärkung des Einschaltgeräusches, die den Verstärker, die Lautsprecher oder den Cassettenrecorder beschädigen könnten.
- ‡ Spielen Sie auf dem Flügel. Erhöhen Sie vorsichtig die Lautstärke, bis eine angenehme Hörlautstärke erreicht ist.

AUX IN

Sie können auch einen CD-Spieler oder einen Cassettenspieler an Ihren Flügel der "*Silent*"-Serie anschließen. Dadurch können Sie zu Ihren Lieblingsaufnahmen dazuspielen (siehe Abbildung auf Seite 38).

- ‡ Verbinden Sie einfach den Kopfhörerausgang Ihres CD- oder Cassettengerätes mit der Buchse AUX IN.
- ‡ Stellen Sie die Lautstärke Ihres CD-Spielers oder Cassettenspielers ein, während Sie spielen. Sie können dabei auch die Lautstärke des Digitalpianos angleichen.

AUX OUT

Si vous ne souhaitez pas utiliser de casque d'écoute, il est possible de raccorder votre piano à queue de la *série "Silent"* à un haut-parleur amplifié. Vous pouvez également raccorder cette borne à un enregistreur pour enregistrer votre jeu sur le piano numérique (voir illustration page 37).

- § Raccorder un câble de la borne AUX OUT à la borne correcte de l'appareil audio externe.
- § Mettre le piano à queue de la *série "Silent"* sous tension en premier lieu afin d'éviter des sautes de volume indésirables ou des interférences sonores qui pourraient endommager les enceintes acoustiques ou un enregistreur à cassettes.
- § Commencer à jouer sur le piano. Augmenter progressivement le volume jusqu'à obtenir un niveau d'écoute adéquat.

AUX IN

Il est possible de connecter un lecteur de disques compacts ou un enregistreur au piano à queue de la *série "Silent"*. Cela vous permettra de jouer en même temps que votre enregistrement favori (voir illustration page 38).

- § Connecter simplement la sortie du casque d'écoute de votre enregistreur ou de votre lecteur de disques compacts à la borne AUX IN.
- § Régler le volume de l'enregistreur ou du lecteur de disques tout en jouant et régler éventuellement le volume du piano.

AUX OUT

Si no quiere utilizar los auriculares, puede conectar su piano de cola *serie "Silent"* a pantallas acústicas amplificadas. También puede conectar este terminal a una grabadora para grabar sus interpretaciones en el piano numérico (véase la ilustración en la página 37).

- § Conecte un cable partiendo del terminal AUX OUT hacia el terminal adecuado del dispositivo audio externo.
- § Encienda primero el piano de cola *serie "Silent"* para evitar saltos de volumen o ruidos indeseables que puedan dañar las pantallas acústicas o la grabadora.
- § Empiece a tocar el piano. Aumente paulatinamente el volumen hasta alcanzar un nivel correcto.

AUX IN

Puede conectar un lector de discos compactos o una grabadora al piano de cola *serie "Silent"*. Esto le permitirá tocar junto con sus grabaciones favoritas (véase la ilustración de la página 38).

- § Sólo conecte la salida de los auriculares de su grabadora o lector de discos al terminal AUX IN.
- § Ajuste el volumen de la grabadora o del lector a medida que esté tocando el piano. También puede ser necesario ajustar el volumen del piano.

AUX OUT

Se non volete ascoltare la vostra musica in cuffia, potete collegare il pianoforte "*Silent*" *Series* ad un amplificatore esterno. Potete inoltre collegare questa uscita ad un registratore a cassette per registrare i brani eseguiti al pianoforte digitale (vedere l'illustrazione a pagina 37).

- § Collegate un cavo dall'uscita AUX OUT all'ingresso corretto dell'apparecchiatura audio esterna.
- § Accendete per primo il pianoforte "*Silent*" *Series*. Ciò eviterà l'emissione di detonazioni o forti distorsioni che potrebbero danneggiare gli altoparlanti o il registratore.
- § Iniziate a suonare il pianoforte. Aumentate lentamente il volume, fino ad ottenere un livello di ascolto confortevole.

AUX IN

Potete collegare al vostro pianoforte a coda "*Silent*" *Series* un lettore di CD o di audio-cassette. Ciò vi consentirà di suonare in accompagnamento a un brano di vostra scelta. (vedere l'illustrazione a pagina 38).

- § Collegate l'uscita dell'unità CD o del lettore di cassette all'ingresso AUX IN.
- § Mentre suonate, regolate il volume dell'unità CD o del lettore di cassette. Potrebbe essere necessario regolare anche il volume del pianoforte.

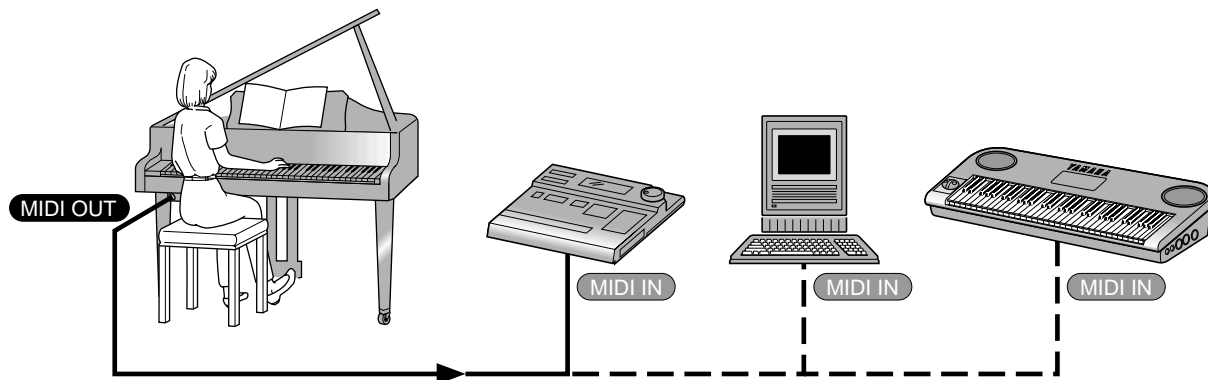
Using the MIDI terminals

Benutzung der MIDI-Anschlüsse

Utilisation des connecteurs MIDI

Utilización de los terminales MIDI

Utilizzo dei connettori MIDI



Using the MIDI terminals

MIDI stands for “Musical Instrument Digital Interface”. It is a way of communicating instructions between MIDI instruments. It is not a method of transmitting sound. With MIDI, you can use the piano keyboard to play another MIDI instrument, such as a **YAMAHA** synthesizer, or you can play the digital piano part of your *Silent Series* grand piano from another instrument.

This manual will not attempt to explain all about MIDI; it will only deal with the subject insofar as it affects the *Silent Series* grand piano. If you want to know more, there are many excellent books on the market which explain how to use MIDI to its full extent.

If you want to use your piano with other MIDI instruments, you must have the appropriate MIDI cables (available from most musical instrument dealers).

Benutzung der MIDI-Anschlüsse

MIDI steht für “Musical Instrument Digital Interface”. Diese digitale Schnittstelle stellt einen Kommunikationsweg für MIDI-Instrumente zum gegenseitigen Austausch von Anweisungen dar, der Klang selbst wird nicht übertragen. Über MIDI kann Ihr Flügel der *“Silent”-Serie* dazu benutzt werden, andere MIDI-Instrumente wie z. B. einen **YAMAHA**-Synthesizer zu spielen, Sie können aber auch das Digitalpiano Ihres Flügels der *“Silent”-Serie* von einem anderen MIDI-Instrument aus spielen.

Diese Anleitung ist nicht dazu gedacht, alles über MIDI zu erklären, sie behandelt nur die Möglichkeiten des Flügels der *“Silent”-Serie*. Wenn Sie mehr darüber erfahren möchten, gibt es viele hervorragende Bücher zu diesem Thema, die MIDI in seiner Gesamtheit beschreiben.

Wenn Sie Ihren Flügel der *“Silent”-Serie* zusammen mit anderen Instrumenten verwenden möchten, benötigen Sie entsprechende MIDI-Kabel (im Fachhandel erhältlich).

☰ Utilisation des connecteurs MIDI ☰

MIDI est l'acronyme anglais de "Musical Instrument Digital Interface" (Interface Numérique pour instruments de musique). Il s'agit d'une norme visant à échanger des instructions entre des instruments MIDI. Elle ne consiste pas à échanger des sons. Grâce à la norme MIDI, le clavier de votre piano peut être utilisé pour jouer un autre instrument MIDI tel qu'un synthétiseur **YAMAHA**, ou pour jouer le rôle du piano numérique de votre piano à queue de la *série "Silent"* à partir d'un autre instrument.

Nous ne tenterons pas dans ce manuel d'expliquer tout sur la norme MIDI; nous ne l'abordons que pour son incidence sur le piano à queue de la *série "Silent"*. Si vous souhaitez en savoir plus sur le système MIDI et toutes ses possibilités, de nombreux livres d'excellente qualité sont disponibles sur le marché.

☰ Utilización de los terminales MIDI ☰

MIDI significa "Musical Instrument Digital Interface" (Interfaz digital para instrumentos musicales). Se trata de una forma de comunicar instrucciones entre instrumentos MIDI. Sin embargo, no sirve para transmitir sonidos. Con MIDI, puede utilizar el teclado de su piano de cola *série "Silent"* para tocar otros instrumentos MIDI, tales como un sintetizador de **YAMAHA**, o puede tocar la parte numérica de su piano desde otro instrumento.

En este manual no pretendemos dar una explicación exhaustiva sobre MIDI. Sólo se tratará el tema en la medida en que sea necesario para el piano de cola *série "Silent"*. Si desea más información al respecto, puede consultar obras excelentes publicadas y disponibles en el mercado donde se exponen todas las posibilidades de MIDI.

☰ Utilizzo dei connettori MIDI ☰

MIDI è l'acronimo di "Musical Instrument Digital Interface", ossia interfaccia digitale per strumenti musicali. Consiste in un metodo di trasmissione di istruzioni fra strumenti MIDI, e non di trasmissione di suoni. Utilizzando l'interfaccia MIDI, la tastiera del vostro pianoforte può pilotare un altro strumento MIDI, come un sintetizzatore **YAMAHA**, oppure potete suonare la sezione digitale del vostro pianoforte a coda "*Silent*" *Series* tramite un altro strumento.

Questo manuale non cercherà di spiegarvi il protocollo MIDI, ma tratterà l'argomento solo per ciò che concerne l'uso del pianoforte a coda "*Silent*" *Series*. Per approfondire questo argomento, sono disponibili in commercio degli ottimi libri che spiegano come utilizzare in modo completo l'interfaccia MIDI.

Using your *Silent Series* grand piano as a MIDI keyboard — MIDI OUT

You can use MIDI to send performance data to a sequencer or appropriately configured personal computer. You can also use MIDI to play a synthesizer or tone generator (see the illustration on page 41).

NOTE:

Connecting a sequencer or personal computer instead of a synthesizer makes it possible to store your performance as MIDI data for subsequent playback.

- ‡ Connect one end of a MIDI cable to the MIDI OUT terminal at the back of the control box, and the other end to the MIDI IN of the other instrument.
- ‡ On the MIDI instrument, set the Receive Channel to 1, or set OMNI ON (refer to the instructions for the other instrument).
- ‡ Start playing the piano. When you play a note, the MIDI data for that note will be received by the other instrument, which will play the note.

Einsatz Ihres Flügels der “*Silent*”-Serie als MIDI-Tastatur – MIDI OUT

Sie können MIDI dazu benutzen, Ihr Spiel als MIDI-Daten an einen Sequenzer oder einen entsprechend ausgerüsteten Computer zu senden. Auch können Sie einen Synthesizer oder Expander spielen (siehe Abbildung auf Seite 41).

HINWEIS:

Der Anschluß an einen Sequenzer oder einen Computer mit einem Sequenzerprogramm ermöglicht Ihnen, Ihr Spiel als MIDI-Daten für späteres Abspielen aufzuzeichnen.

- ‡ Verbinden Sie das eine Ende eines MIDI-Kabels mit der Buchse MIDI OUT des Steuerkastens, und das andere Ende mit dem Eingang MIDI IN des anderen Instruments.
- ‡ Stellen Sie den MIDI-Empfangskanal des anderen MIDI-Instruments auf 1, oder wählen Sie OMNI ON (lesen Sie dazu die Anleitung des anderen Instruments).
- ‡ Spielen Sie auf der Tastatur. Wenn Sie eine Note spielen, werden die MIDI-Daten dieser Note von dem anderen Instrument empfangen, welches dann diese Note spielt.

Si vous souhaitez utiliser votre piano conjointement avec d'autres instruments MIDI, il vous faudra vous procurer les câbles nécessaires, disponibles auprès de la plupart des revendeurs d'instruments de musique.

Utilisation du piano à queue de la série "Silent" comme clavier MIDI - MIDI OUT

Vous pouvez utiliser le système MIDI pour envoyer des données de performance à un séquenceur ou à un ordinateur personnel correctement configuré. Vous pouvez également utiliser le système MIDI pour jouer un synthétiseur ou un générateur de sons (voir illustration page 41).

REMARQUE:

La connexion d'un séquenceur ou d'un ordinateur personnel au lieu d'un synthétiseur permet de sauvegarder vos performances sous forme de données MIDI pour pouvoir les restituer ultérieurement.

- ‡ Connecter une extrémité d'un câble MIDI à la borne MIDI OUT située à l'arrière de la boîte de commandes, et l'autre extrémité, à la borne MIDI IN de l'autre instrument.
- ‡ Sur l'instrument MIDI, mettre le canal de réception sur 1, ou sur OMNI ON (veuillez consulter les instructions données pour l'autre instrument).
- ‡ Commencer à jouer du piano. Lorsque vous jouez une note, les données MIDI correspondant à cette note seront reçues sur l'autre instrument, qui jouera la note.

Si desea tocar otro instrumento a través del teclado del piano de cola *serie "Silent"*, debe disponer de un cable MIDI que puede adquirir en numerosas tiendas de instrumentos musicales.

Utilización de su piano de cola serie "Silent" como teclado MIDI - Terminal MIDI OUT

Puede usar el sistema MIDI para transmitir datos de interpretaciones a un secuenciador o un ordenador bien configurado. También puede utilizar el sistema MIDI para tocar un sintetizador o generador de tonos (véase la ilustración en la página 41).

NOTA:

Al conectar un secuenciador o ordenador en vez del sintetizador, puede salvar sus interpretaciones como datos MIDI para poder restituirlos después.

- ‡ Conecte uno de los extremos de un cable MIDI al terminal MIDI OUT (salida MIDI) del piano detrás de la caja de control, y el otro extremo al terminal MIDI IN (entrada MIDI) del otro instrumento.
- ‡ En el otro instrumento, ajuste el canal de recepción en 1 o elija OMNI ON (consulte las instrucciones del otro instrumento para realizar esta operación).
- ‡ Empiece a tocar el piano. Cuando toca una nota, los datos MIDI correspondientes a esta nota serán recibidos por el otro instrumento, que tocará la misma nota.

Se volete usare il pianoforte in collegamento con altri strumenti MIDI, dovete disporre di cavi MIDI adatti (potete acquistarli presso tutti i rivenditori di strumenti musicali).

Utilizzo del pianoforte a coda "Silent" Series come tastiera MIDI - MIDI OUT

Potete utilizzare l'interfaccia MIDI per inviare dati di programmazione ad un sequencer oppure ad un personal computer opportunamente configurato. Inoltre, tramite questa interfaccia potete pilotare un sintetizzatore o un generatore elettronico di suoni (vedere l'illustrazione a pagina 41).

NOTA:

Interfaciando un sequencer o un personal computer al posto di un sintetizzatore potete inoltre memorizzare le vostre esecuzioni in formato MIDI e riprodurle successivamente.

- ‡ Collegate un'estremità del cavo MIDI all'uscita MIDI OUT posta dietro l'unità di controllo e l'altra estremità all'ingresso MIDI IN dello strumento da interfacciare.
- ‡ Sullo strumento MIDI, impostate il canale di ricezione (Receive Channel) su 1, oppure impostate OMNI su ON (fate riferimento alle istruzioni relative all'altro strumento).
- ‡ Cominciate a suonare il pianoforte. Quando suonerete una nota, i dati MIDI relativi ad essa verranno ricevuti dall'altro strumento, che la suonerà.

As well as Note On and Note Off information, the *Silent Series* grand piano can also send information on the status of the sustain pedal, the shift pedal, and the sostenuto pedal. See the separate MIDI Implementation Chart for details.

NOTE:

Not all MIDI devices can respond to these messages, though. Refer to the other instrument's manual for details.

Using a MIDI device to play the *Silent Series* grand piano — MIDI IN

When the *Grand Silent* system is engaged, you can use your *Silent Series* grand piano as a sound source for a sequencer or personal computer — and you can play along with the MIDI performance. You can also play duets with another musician playing on an external MIDI keyboard (see the illustration on page 47).

- ‡ Connect one end of a MIDI cable to the MIDI IN terminal at the back of the control box, and the other end to the MIDI OUT of the external device.
- ‡ The *Silent Series* grand piano receives MIDI data on channel 1. Set the Transmit Channel on the external device to channel 1 (refer to the instructions for the external device).

Über die Informationen Note On und Note Off hinaus kann der Flügel der "*Silent*"-*Serie* auch Informationen über den Zustand des Dämpferpedal, des Verschiebungspedal und des Sostenutopedal senden. Betrachten Sie dazu die gesonderte MIDI-Implementations-tabelle für Einzelheiten.

HINWEIS:

Nicht alle MIDI-Instrumente jedoch können diese Nachrichten verarbeiten. Lesen Sie dazu die Handbücher der anderen Instrumente.

Einsatz eines MIDI-Gerätes zu Spiel Ihres Flügels der "*Silent*"-*Serie* – MIDI IN

Wenn das "*Grand Silent*"-System aktiviert ist, können Sie Ihren Flügel der "*Silent*"-*Serie* als Tonerzeuger an einen Sequenzer oder Computer anschließen – und Sie können zu den empfangenen MIDI-Daten dazuspielen. Sie können auch ein Duett mit einem anderen Musiker spielen, der auf einer externen MIDI-Tastatur spielt (siehe Abbildung auf Seite 47).

- ‡ Verbinden Sie das eine Ende eines MIDI-Kabels mit der Buchse MIDI IN des Steuerkastens, und das andere Ende mit dem Ausgang MIDI OUT des anderen Instruments.
- ‡ Das Digitalpiano empfängt MIDI-Daten auf Kanal 1. Stellen Sie also den MIDI-Sendekanal des anderen MIDI-Instruments auf 1 (lesen Sie dazu die Anleitung des anderen Instruments).

S'il envoie des informations telles que Note On et Note Off, le piano à queue de la *série "Silent"* peut également transmettre des informations sur le statut de la pédale forte, la pédale douce et la pédale tonale. Pour les détails, voyez le tableau d'implémentation MIDI séparé.

REMARQUE:

Les dispositifs MIDI ne peuvent cependant pas tous répondre à ces messages. Pour plus de détails, référez-vous au manuel des autres instruments.

Utilisation d'un dispositif MIDI pour jouer sur le piano à queue de la *série "Silent"* - MIDI IN

Lorsque le système de silencieux "*Grand Silent*" est opérationnel, vous pouvez utiliser le piano à queue de la *série "Silent"* comme source sonore pour un séquenceur ou un ordinateur - et vous pouvez jouer en même temps que la performance MIDI. Vous jouez également jouer des duos avec un autre musicien qui joue sur un clavier MIDI externe (voir illustration page 47).

- ✳ Connecter une extrémité d'un câble MIDI à la borne MIDI IN située à l'arrière de la boîte de commandes et l'autre extrémité à la borne MIDI OUT du dispositif externe.
- ✳ Le piano à queue de la *série "Silent"* reçoit les données MIDI sur le canal 1. Régler le canal de transmission du dispositif externe sur le canal 1 (veuillez consulter les instructions fournies avec l'appareil externe à ce sujet).

Además de notas y silencios, el piano de cola *serie "Silent"* puede transmitir información sobre el estado del pedal celeste y pedal de piano así como del pedal tonal. Para más detalles, véase el Gráfico de puesta en práctica de MIDI.

NOTA:

No obstante, todos los dispositivos MIDI no pueden responder a estos mensajes. Para más información, consulte las instrucciones del otro instrumento.

Utilización de un dispositivo MIDI para tocar el piano de cola *serie "Silent"* - Terminal MIDI IN

Al encender el sistema "*Grand Silent*", puede utilizar su piano de cola *serie "Silent"* como fuente de sonidos para un secuenciador u ordenador, y puede tocar junto con sus interpretaciones MIDI. También puede tocar duos con otro músico que esté tocando en un teclado MIDI externo (véase la ilustración de la página 47).

- ✳ Conecte un extremo de un cable MIDI al terminal MIDI IN detrás de la caja de control y el otro extremo al terminal MIDI OUT del dispositivo externo.
- ✳ El piano de cola *serie "Silent"* recibe los datos en el canal 1. Por lo tanto, cabe ajustar el canal de transmisión del dispositivo externo en el canal 1 (consulte el manual de instrucciones del otro instrumento para mayores detalles).

Oltre alle informazioni di Note On e Note Off, il pianoforte a coda "*Silent Series*" può anche inviare informazioni circa lo stato dei pedali destro, sinistro e centrale. Vedere per i dettagli la scheda separata di implementazione MIDI.

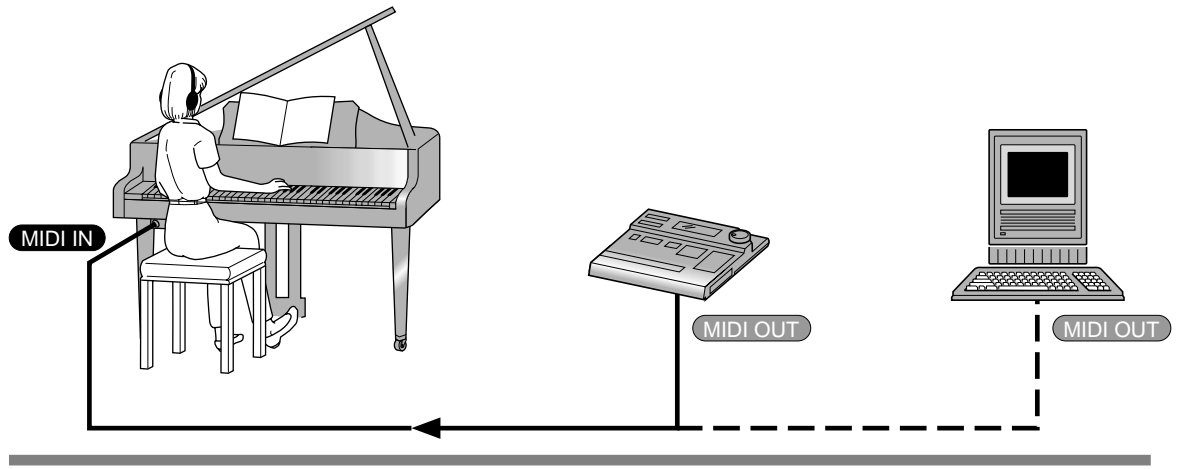
NOTA:

Non tutti i dispositivi MIDI possono tuttavia rispondere a questi messaggi. Per ulteriori dettagli, consultate il manuale di istruzioni dell'altro strumento.

Utilizzo di un dispositivo MIDI per suonare il pianoforte a coda "*Silent Series*" - MIDI IN

Quando il sistema "*Grand Silent*" è attivato, potete utilizzare il vostro pianoforte "*Silent Series*" come fonte sonora per un sequencer o un personal computer, e voi potete suonare accompagnando l'esecuzione via MIDI. Potete anche suonare in coppia con un altro musicista che suona una tastiera MIDI esterna (vedere l'illustrazione a pagina 47).

- ✳ Collegare un'estremità del cavo MIDI all'ingresso MIDI IN posto dietro l'unità di controllo, e l'altra estremità all'uscita MIDI OUT del dispositivo esterno.
- ✳ Il pianoforte "*Silent Series*" riceve i dati MIDI sul canale 1. Impostate il canale di trasmissione (Transmit Channel) del dispositivo esterno su 1 (fate riferimento alle istruzioni relative al dispositivo esterno).



‡ Start the external device playing. It will send MIDI instructions to your *Silent Series* grand piano, which will then play the resulting request.

The *Silent Series* grand piano will respond to Note On and Note Off messages as well as controller messages for the three pedals.

‡ Spielen Sie auf dem anderen Instrument. Dieses Gerät sendet dabei MIDI-Daten an Ihren Flügel der *“Silent”-Serie*, dessen Digitalpiano dann die empfangenen Noten erzeugt.

Der Flügel der *“Silent”-Serie* reagiert auf die Nachrichten Note On und Note Off, sowie auf Controller-Nachrichten für die drei Pedale.

§ Faire démarrer l'appareil externe. Celui-ci va envoyer des instructions MIDI à votre piano à queue de la *série "Silent"*, qui va alors jouer ce qui lui est demandé.

Le piano à queue de la *série "Silent"* va répondre aux messages de Note On et Note Off ainsi qu'aux messages des contrôleurs pour les trois pédales.

§ Empiece a tocar del dispositivo externo. Este va a transmitir instrucciones a su piano de cola *serie "Silent"*, que va a tocarlas.

El piano de cola *serie "Silent"* va a responder a mensajes de notas y silencios así como a mensajes de controladores para los tres pedales.

§ Fate partire l'esecuzione sul dispositivo esterno. Questo invierà istruzioni MIDI al vostro pianoforte a coda *"Silent" Series* che eseguirà la relativa richiesta.

Il pianoforte *"Silent" Series* è in grado di rispondere sia ai messaggi Note On e Note Off che ai segnali del controller per i tre pedali.

Playing the demo songs

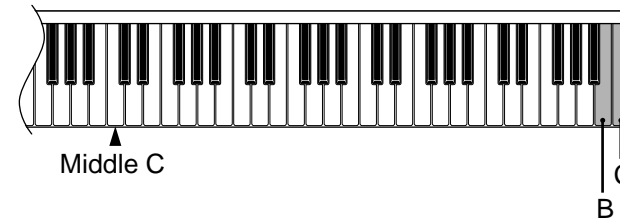
Anhören der Demo-Stücke

Morceaux de démonstration

Reproducción de canciones
de demostración

Uso dei brani dimostrativi

①



Playing the demo songs

The *Silent Series* grand piano contains eight demo songs. To play the demo songs you must engage **Demo Song mode**. To do this, hold down the B and C keys at the far right of the keyboard while turning the power switch on. (①)

NOTE:

You must hold down the B and C keys until a click is heard then release them. Otherwise, Demo Song mode may not be engaged.

The eight demo songs will start playing a few seconds after you release the keys and will play repeatedly until you stop them. To stop demo song playback, press any key to the left of the E key. (②)

Anhören der Demo-Stücke

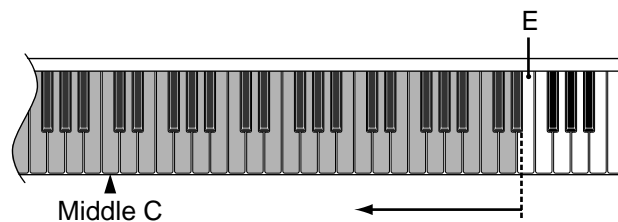
Ihr *Silent Series* grand piano enthält acht Demo-Stücke, die Sie sich anhören können, wenn Sie den **Demo Song-Betrieb** anwählen. Hierfür müssen Sie das H und das C ganz rechts auf dem Manual gedrückt halten, während Sie das *Silent Series* grand piano einschalten. (①)

HINWEIS:

Halten Sie das H und das C so lange gedrückt, bis Sie ein Klicken hören, da der Demo Song-Betrieb sonst u.U. nicht aufgerufen wird.

Die Wiedergabe der acht Demo-Stücke beginnt ein paar Sekunden nach Anwahl des Demo Song-Betriebs und wird so lange wiederholt, bis Sie sie wieder anhalten. Um die Wiedergabe anzuhalten, müssen Sie eine beliebige Taste links des angezeigten E drücken. (②)

②



☰ Morceaux de démonstration ☰

Le piano à queue de la série “*Silent*” contient huit morceaux de démonstration. Pour écouter les morceaux de démonstration, vous devez passer en **mode de démonstration**: maintenez les touches Si (B) et Do (C) situées à l’extrémité droite du clavier tout en mettant l’instrument sous tension. (①)

REMARQUE:

Maintenez les touches Si (B) et Do (C) jusqu’à ce qu’un déclic se produise puis relâchez-les qui suivent faute de quoi, vous risquez de ne pas être en mode de démonstration.

Les huit morceaux de démonstration sont alors joués quelques secondes après que vous ayez relâché les touches et continueront à jouer jusqu’à ce que vous les arrêtez. Pour arrêter la démonstration, appuyez sur n’importe quelle touche à gauche de la touche Mi (E). (②)

☰ Reproducción de canciones de demostración ☰

El piano de cola de la serie “*Silent*” contiene ocho canciones de demostración. Para reproducir las canciones de demostración tendrá que activar el **modo de canciones de demostración**. Para realizar esto, mantenga presionadas las teclas Si (B) y Do (C) del extremo derecho del teclado mientras conecte la alimentación. (①)

NOTA:

Usted deberá mantener presionadas las teclas Si (B) y Do (C) mostradas arriba hasta que oiga un chasquido y después soltarlas. De lo contrario, el modo de canciones de demostración no se activaría.

Las ocho canciones de demostración comenzarán a reproducirse algunos segundos después de haber soltado las teclas, y se reproducirán repetidamente hasta que las pare. Para parar la reproducción de las canciones de demostración, presione cualquier situada a la izquierda de Mi (E), como se muestra. (②)

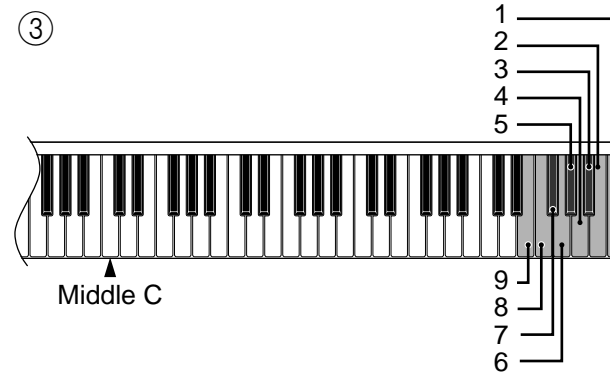
☰ Uso dei brani dimostrativi ☰

Il pianoforte a coda “*Silent*” Series è dotato di otto brani dimostrativi. Per ascoltare i brani dimostrativi è necessario attivare il **modo di dimostrazione brani**. A questo scopo tenere premuti i tasti Si (B) e Do (C) all’estrema destra della tastiera durante l’accensione. (①)

NOTA:

È necessario tenere premuti i tasti Si (B) e Do (C) sopra indicati fino ad udire uno scatto e quindi rilasciarli. Altrimenti il modo di dimostrazione brani potrebbe non attivarsi.

Gli otto brani dimostrativi iniziano ad essere riprodotti alcuni secondi dopo che si sono rilasciati i tasti e sono riprodotti ripetutamente fino a quando si interrompe la funzione. Per interrompere la riproduzione dei brani dimostrativi, premere qualsiasi tasto a sinistra del Mi (E). (②)



You can play individual songs or resume all song playback at anytime simply by pressing one of the keys shown. (3)

1	C	Play all songs
2	B	Song 1
3	A#	Song 2
4	A	Song 3
5	G#	Song 4
6	G	Song 5
7	F#	Song 6
8	F	Song 7
9	E	Song 8

Canceling demo song mode

For normal piano playing you should cancel Demo Song mode. To do this, turn off the *Silent Series* grand piano, wait a few seconds, and then turn on again.

Wenn Sie eine der in Abbildung ③ gezeigten Tasten drücken, können Sie das dazugehörige Demo-Stück direkt anwählen.

1	C	Alle Stücke
2	H	Stück 1
3	A#	Stück 2
4	A	Stück 3
5	G#	Stück 4
6	G	Stück 5
7	F#	Stück 6
8	F	Stück 7
9	E	Stück 8

Verlassen des Demo Song-Betriebs

Wenn Sie selbst auf Ihrem *Silent Series* grand piano spielen möchten, müssen Sie den Demo Song-Betrieb wieder deaktivieren. Hierfür müssen Sie den *Silent Series*-Flügel ausschalten, ein paar Sekunden warten und es wieder einschalten.

Vous pouvez jouer des morceaux individuels ou reprendre tous les morceaux n'importe quand en appuyant simplement sur une des touches indiquées. (③)

1	C (Do)	Tous les morceaux
2	B (Si)	Morceau 1
3	A# (La#)	Morceau 2
4	A (La)	Morceau 3
5	G# (Sol#)	Morceau 4
6	G (Sol)	Morceau 5
7	F# (Fa#)	Morceau 6
8	F (Fa)	Morceau 7
9	E (Mi)	Morceau 8

Quitter le mode de démonstration

Pour revenir en mode normal, mettez le piano à queue de la série "Silent" hors tension, attendez quelques secondes puis remettez-le sous tension.

Usted podrá reproducir canciones individuales o reanudar la reproducción de todas en cualquier tiempo presionando simplemente una de las teclas mostradas a continuación. (③)

1	C (Do)	Reproducción de todas las canciones
2	B (Si)	Canción 1
3	A# (La#)	Canción 2
4	A (La)	Canción 3
5	G# (Sol#)	Canción 4
6	G (Sol)	Canción 5
7	F# (Fa#)	Canción 6
8	F (Fa)	Canción 7
9	E (Mi)	Canción 8

Cancelación del modo de canciones de demostración

Para tocar normalmente el piano, tendrá que cancelar el modo de canciones de demostración. para ello, desconecte la alimentación del piano de cola de la serie "Silent", espere algunos segundos, y vuelva a conectarla.

È possibile riprodurre singoli brani o tutti i brani semplicemente premendo uno dei tasti indicati. (③)

1	C (Do)	Tutti i brani
2	B (Si)	Canción 1
3	A# (La#)	Canción 2
4	A (La)	Canción 3
5	G# (Sol#)	Canción 4
6	G (Sol)	Canción 5
7	F# (Fa#)	Canción 6
8	F (Fa)	Canción 7
9	E (Mi)	Canción 8

Disattivazione del modo di dimostrazione

Per suonare normalmente il piano disattivare il modo di dimostrazione brani. A questo scopo spegnere il pianoforte a coda "Silent" Series, attendere qualche secondo e riaccenderlo.

Quick troubleshooting

Problemlösungen

Guide de dépannage rapide

Breve sección sobre
localización y reparación de
averías

Inconvenienti e rimedi—
Guida rapida

Quick troubleshooting

If you have problems with your *Silent Series* grand piano, here are a few simple troubleshooting tips.

If you press the power switch on, and no light comes on:

Is the AC adaptor connected to the mains power supply? Is the adaptor connected to the *Silent Series* grand piano?

If you engage the Silent Lever to stop the hammers from hitting the strings, but you can still hear the piano sound:

The *Grand Silent* system will not work properly if you play too hard. Play a little more softly to stop the piano sounding.

If you turn on the power switch and the indicator comes on, but no sound comes through the headphones:

Is the VOLUME control turned up to the proper level? Are the headphones plugged in properly?

If you hear a distorted or unnatural piano sound through the headphones or the level through the headphones is too low or too high:

You should be using **YAMAHA HPE-170** headphones. Other headphones may not give a satisfactory sound (see page 15 for details).

There is too much or not enough reverb.

Use the REVERB control to adjust the amount of reverb.

Problemlösungen

Falls Sie mit Ihrem Flügel der *“Silent”-Serie* auf Probleme stoßen sollten, finden Sie hier einige Lösungsvorschläge.

Wenn Sie den Netzschalter betätigen, und die Lampe nicht aufleuchtet:

Ist das Steckernetzteil in die Netzdose eingesteckt? Ist das Netzteil mit dem Flügel der *“Silent”-Serie* verbunden?

Wenn Sie den *“Silent”-Hebel* betätigen, um den Flügel stummzuschalten, Sie den Klang jedoch immer noch hören:

Die *“stumme”* Betriebsart des *“Grand Silent”*-System arbeitet nicht einwandfrei, wenn Sie allzu hart anschlagen. Spielen Sie etwas weicher, damit die Saiten nicht erklingen.

Wenn Sie den Netzschalter betätigen, und die Lampe aufleuchtet, aber nichts über die Kopfhörer zu hören ist:

Ist der Regler VOLUME zumindest etwas aufgedreht? Sind die Kopfhörer richtig eingesteckt?

Wenn Sie über die Kopfhörer einen verzerrten oder unnatürlichen Klavierklang hören, oder die Lautstärke der Kopfhörer zu groß oder zu gering ist:

Sie sollten die Kopfhörer **YAMAHA HPE-170** verwenden. Andere Kopfhörer könnten einen unbefriedigenden Klang erzeugen (lesen Sie auf Seite 15 für Einzelheiten).

Zu viel oder zu wenig Hall.

Stellen Sie mit dem REVERB-Regler den gewünschten Hallanteil ein.

☰ Guide de dépannage rapide ☰

Si des problèmes devaient apparaître avec votre piano à queue de la *série "Silent"*, voici quelques conseils simples de dépannage.

Si vous appuyez sur l'interrupteur frontal, et qu'aucun témoin ne s'allume:

L'adaptateur d'alimentation est-il relié à la prise secteur? L'adaptateur est-il relié au piano à queue de la *série "Silent"*?

Vous activez le levier de silencieux pour empêcher les marteaux de frapper les cordes mais vous pouvez toujours entendre le son du piano:

Le système "*Grand Silent*" ne fonctionnera pas correctement si vous jouez trop durement. Jouez un peu plus doucement pour couper les sons.

Vous mettez l'interrupteur frontal sous tension, le témoin s'allume mais aucun son ne sort par les enceintes:

La commande VOLUME est-elle réglée à un niveau approprié? Le casque est-il réglé à un niveau approprié?

Vous entendez un son de piano distordu ou non naturel au casque ou le niveau du casque est trop bas ou trop élevé:

Utilisez le casque HPE-170 de YAMAHA. Il se peut que les autres casques ne vous fassent pas entendre de son satisfaisant (pour plus de détails, référez-vous à la page 16).

Il y a trop ou trop peu de réverbération

Servez-vous de la commande REVERB pour ajuster la réverbération.

☰ Breve sección sobre localización y reparación de averías ☰

Si tiene problemas con su piano de cola *serie "Silent"*, le damos a continuación algunos métodos simples para solucionarlos.

Ha pulsado el interruptor frontal, pero no se enciende ninguna luz:

¿Está el adaptador de CA conectado a la red? ¿Está el adaptador de CA conectado al piano de cola *serie "Silent"*?

Ha activado la palanca de silenciamiento para que los martillos dejen de golpear las cuerdas, pero se puede oír aún el sonido del piano:

El sistema "*Grand Silent*" no funciona correctamente si toca con demasiada fuerza. Toque algo más suave para que no se oiga el sonido del piano.

Quando pulsa el interruptor frontal, la luz se enciende pero no se recibe ningún sonido a través de los auriculares:

¿Está ajustado el control VOLUME como debería ser? ¿Están los auriculares correctamente conectados?

Si oye un sonido distorsionado o extraño a través de los auriculares, o si el nivel de volumen en los auriculares es demasiado bajo o fuerte:

Debería utilizar los auriculares HPE-170 de YAMAHA. Los demás auriculares pueden no producir sonidos satisfactorios (véanse los detalles al respecto en la página 16).

☰ Inconvenienti e rimedi - Guida rapida ☰

Se avete problemi con il vostro pianoforte a coda "*Silent*" *Series*, vi forniamo di seguito alcuni semplici suggerimenti per i possibili rimedi.

Se premete l'interruttore frontale e la spia non si accende:

Controllate che l'adattatore CA sia inserito nella presa elettrica. Controllate anche che l'adattatore sia collegato al pianoforte "*Silent*" *Series*.

Se attivate la leva del silenziatore per impedire ai martelletti di percuotere le corde, ma il suono del pianoforte non viene completamente eliminato:

Il sistema "*Grand Silent*" non funzionerà perfettamente se suonate troppo forte. Suonate un po' più leggermente per eliminare il suono del pianoforte.

Se attivate l'interruttore sul pannello frontale e si accende la luce, ma non viene emesso alcun suono attraverso le cuffie:

Controllate che il VOLUME sia ad un livello appropriato. Controllate che le cuffie siano inserite correttamente.

Se udite un suono distorto o non naturale del pianoforte, attraverso le cuffie, o se il livello delle cuffie è troppo basso o troppo alto:

Raccomandiamo l'impiego delle cuffie HPE-170 YAMAHA, per un suono ottimale (vedere a pagina 16 ulteriori dettagli).

A Demo song suddenly starts playing.

The *Silent Series* grand piano is still in Demo Song mode. See page 51 for details on how to cancel this mode.

If you are trying to play a MIDI instrument from the *Silent Series* grand piano, and no sound is being produced by the MIDI instrument:

Is the MIDI cable connected properly? Is the MIDI instrument's Receive Channel set to 1 or is OMNI ON? Is the MIDI instrument's volume turned up (or is it connected properly to a sound system)?

If you are trying to play the *Silent Series* grand piano from an external MIDI device, and no sound is being produced:

Is the MIDI cable connected properly? Is the Transmit Channel on the external device set to channel 1?

If you cannot solve the problem easily, consult your *Silent Series* grand piano dealer. DO NOT try to repair the *Silent Series* grand piano or the AC adaptor yourself.

Ab und zu beginnt plötzlich die Wiedergabe eines Demo-Stückes.

Der Silent Series-Flügel befindet sich noch im Demo Song-Betrieb. Auf Seite 51 erfahren Sie, wie man diese Betriebsart wieder verläßt.

Wenn Sie ein MIDI-Instrument vom Flügel der "*Silent*"-Serie aus spielen möchten, das MIDI-Instrument jedoch keinen Klang erzeugt:

Ist das MIDI-Kabel richtig angeschlossen? Ist der Empfangskanal des MIDI-Instruments auf 1 gestellt, oder OMNI ON gewählt? Ist die Lautstärke des Instruments aufgedreht (bzw. ist es richtig an eine Verstärkeranlage angeschlossen)?

Wenn Sie den Flügel der "*Silent*"-Serie von einem externen MIDI-Instrument aus spielen möchten, jedoch kein Ton erzeugt wird:

Ist das MIDI-Kabel richtig angeschlossen? Ist der Sendekanal des externen MIDI-Instruments auf 1 gestellt?

Wenn Sie das Problem nicht ohne weiteres lösen können, fragen Sie den Händler, bei dem Sie den Flügel der "*Silent*"-Serie erworben haben. VERSUCHEN SIE NICHT, den Flügel der "*Silent*"-Serie oder dessen Netzteil selbst zu reparieren.

Un morceau de démonstration se met subitement à jouer.

Le piano à queue de la série *"Silent"* est encore en mode de démonstration. Voyez page 52 pour en savoir plus sur la manière de quitter ce mode.

Vous essayez de jouer un instrument MIDI sur le piano à queue de la série *"Silent"* et aucun son n'est produit par l'instrument MIDI:

Le câble MIDI est-il relié correctement? Le canal de réception de l'instrument MIDI est-il réglé sur 1 ou OMNI est-il réglé sur ON? Le volume de l'instrument MIDI est-il tourné vers le haut (ou l'appareil est-il correctement relié à un système sonore)?

Vous essayez de jouer sur le piano à queue de la série *"Silent"* à partir d'un dispositif MIDI externe et aucun son n'est produit:

Le câble MIDI est-il relié correctement? Le canal de transmission du dispositif externe est-il bien mis sur le canal 1?

Si vous ne pouvez résoudre facilement le problème, consultez votre revendeur de piano à queue de la série *"Silent"*. N'ESSAYEZ JAMAIS de réparer vous-même le piano à queue de la série *"Silent"* ou l'adaptateur secteur.

Hay demasiada o insuficiente reverberación.

Utilice el control REVERB para ajustar la cantidad de reverberación.

Se inicia repentinamente la reproducción de una canción de demostración.

El piano de cola de la serie *"Silent"* está todavía en el modo de canciones de demostración. Con respecto a los detalles sobre cómo cancelar este modo, consulte la página 52.

Si está procurando tocar un instrumento MIDI desde el piano de cola serie *"Silent"* y el instrumento MIDI no produce ningún sonido:

¿Está conectado correctamente el cable?
¿Está ajustado el canal de recepción del instrumento MIDI en 1 o en OMNI ON?
¿Está debidamente ajustado el nivel de volumen del instrumento MIDI (o está correctamente conectado a un equipo de alta fidelidad)?

Si está procurando tocar su piano de cola serie *"Silent"* desde un instrumento MIDI externo y no se produce ningún sonido.

¿Está conectado correctamente el cable?
¿Está ajustado el canal de transmisión del instrumento externo en 1?

Si no logra resolver el problema con facilidad, consulte a su distribuidor del piano de cola serie *"Silent"*. NO intente NUNCA reparar el piano serie *"Silent"* o el adaptador de potencia usted mismo.

Il riverbero è eccessivo o insufficiente.

Usare il comando REVERB per regolare la quantità di riverbero.

Un brano dimostrativo viene riprodotto improvvisamente.

Il pianoforte a coda *"Silent" Series* è ancora nel modo di dimostrazione brani. Vedere pagina 52 per dettagli su come disattivare questo modo.

Se state suonando uno strumento MIDI collegato al pianoforte a coda *"Silent" Series*, e non viene prodotto alcun suono dallo strumento MIDI:

Controllate che il cavo MIDI sia collegato correttamente. Controllate che il canale di ricezione (Receive Channel) dello strumento MIDI sia impostato su 1 oppure su OMNI ON. Controllate che il volume dello strumento MIDI interfacciato sia ad un livello sufficientemente alto oppure che esso sia collegato opportunamente ad un sistema di amplificazione.

Se state suonando il pianoforte a coda *"Silent" Series* collegato ad un dispositivo MIDI esterno, e non viene prodotto alcun suono:

Controllate che il cavo MIDI sia collegato correttamente. Controllate che il canale di trasmissione (Transmit Channel) del dispositivo esterno sia impostato su 1.

Se non riuscite a risolvere facilmente il problema, consultate il rivenditore del vostro pianoforte a coda *"Silent" Series*. NON provate a riparare da soli il pianoforte a coda Silent Series o l'adattatore CA.

Grand Silent system
specification

Technische Daten des “*Grand Silent*”-Systems

Caractéristiques techniques du système “*Grand Silent*”

Especificaciones del sistema
“*Grand Silent*”

Specifiche tecniche del sistema
“*Grand Silent*”

* *Specifications are subject to change without notice.*

* *Änderungen der technischen Daten ohne Ankündigung vorbehalten.*

* *Les spécifications techniques peuvent être modifiées sans avis préalable.*

* *Las especificaciones pueden ser modificadas sin previo aviso.*

* *Specifiche tecniche soggette a variazioni senza preavviso.*

Grand Silent system specifications

Piano silencing mechanism:

Hammer shank stopper operated by *Silent Lever*

Action:

Quick Escape mechanism

Sensor system:

88-key speed sensing

Key: 2-beam, 4-point optical fiber sensors (key-release velocity sensing)

Hammer: 1-beam, 2-point optical fiber sensors

Sustain and Shift pedals: Continuous position sensors

Sostenuto pedal: On/Off sensor

Tone Generation

Type: Digital stereo sampling with sustain pedal resonance effects

Voice: Yamaha CFIIIS concert grand Piano

Memory: 30-megabyte (wave memory)

Polyphony: 32-note stereo

Pitch Control: 438–445 hertz in 1 hertz steps
Fine tuning in 1.2 cent steps

Reverb

Control: Continuous depth

Type: Room
Hall 1 (default)
Hall 2

Other Controls:

VOLUME control, POWER switch with power indicator

Demo Songs:

8

Power supply:

15V DC 2,000mA supplied from AC adaptor

Terminals:

Headphones × 2, MIDI IN/OUT, AUX IN/OUT, DC IN

Supplied accessories:

HPE-170 headphones × 1, AC adaptor

Technische Daten des “*Grand Silent*”-Systems

Stummschaltungsmechanismus:

Hammerhals-Stopper, Bedienung über “*Silent*”-Hebel

Anschlag:

Flügelanschlag mit “*Quick Escape*”-Mechanismus

Sensorsystem:

Geschwindigkeits-Sensoren für 88 Tasten

Tasten: fiberoptische 2-Strahl-/4-Punkt-Sensoren (Erkennung der Loslaßgeschwindigkeit)

Hammer: fiberoptische 1-Strahl-/2-Punkt-Sensoren

Dämpfer- und Verschiebungspedale: Stufenloser Positionssensor

Sostenutopedal: An/aus-Sensor

Klangerzeugung

Typ: Digitale Stereo-Samples mit Resonanzeffekt bei Anwendung des Forte-pedals

Klang: Yamaha CFIIIS Konzertflügel

Speicher: 30-Megabyte (Wellenspeicher)

Polyphonie: 32 Noten, stereo

Stimmung: 438–445 Hertz, in 1Hz-Schritten
Feinstimmung in 1,2 Cent-Schritten

Halleffekt (Reverb)

Regler: Stufenlos einstellbarer Hallanteil

Typ: Room
Hall 1 (Vorgabe)
Hall 2

Andere Bedienelemente:

VOLUME-Regler, POWER-Schalter mit Netzanzeige

Demo-Stücke:

8

Stromversorgung:

15V DC, 2000 mA, über Netzadapter

Anschlüsse:

2 × Kopfhörer, MIDI-Eingang, MIDI-Ausgang, AUX-Eingang, AUX-Ausgang, Gleichstrom-Eingang

Mitgeliefertes Zubehör:

1 × Kopfhörer HPE-170, Netzadapter

☰ Caractéristiques techniques du système "Grand Silent" ☰

Mécanisme silencieux du piano:

Butée de manche de marteau activée par un *levier de silencieux*

Mécanique:

Mécanique du piano à queue avec système d'échappement "*Quick Escape*"

Système de capteurs:

Détecteur de vitesse des 88 touches

Touches: capteurs à fibres optiques à deux faisceaux et à 4 points (sensibilité à la vitesse de relâchement des touches)

Marteaux: capteurs à fibres optiques à 1 faisceau et à 2 points

Pédales forte et douce:

Capteur de position en continu

Pédale tonale capteur: activée/désactivée

Génération de son

Type: Echantillonnage stéréo numérique avec effets de résonance de pédale forte

Son: Yamaha CFIIIS Piano à queue

Mémoire: 30Mo (mémoire d'ondes)

Polyphonie: 32 notes, stéréo

Diapason: 438-445 hertz par pas de 1 hertz

Accord fin par pas de 1,2 cents

Reverb

Commande: Profondeur continue

Type: Room

Hall 1 (défaut)

Hall 2

Autres commandes:

Commande VOLUME, interrupteur POWER avec témoins lumineux

Morceaux de démonstration: 8

Alimentation:

15V CC 2000 mA (adaptateur secteur)

Connecteurs:

Casque x 2, MIDI IN/OUT, AUX IN/OUT, DC IN

Accessoires fournis:

Casque d'écoute HPE-170 x 1, adaptateur secteur.

☰ Especificaciones del sistema "Grand Silent" ☰

Mecanismo de silenciamiento del piano:

Dispositivo de detenimiento de los martillos activado por *palanca de silenciamiento*.

Martillos:

Acción de piano de cola con mecanismo de escape rápido "*Quick Escape*".

Sistema de sensores:

88 teclas sensibles a la velocidad

Teclas: sensores de fibras ópticas de 4 puntos, 2 haces (Desprendimiento de las teclas)

Martillos: sensores de fibras ópticas de 1 haz, 2 puntos

Pedales celeste y de piano:

Sensores de acción continua

Pedal tonal: Sensor de activado/apagado

Generación de tonos

Tipo: Muestreo digital en estéreo con efectos armónicos del pedal celeste

Voz: Piano Yamaha Gran cola de conciertos CFIIIS

Memoria: 30 megabytes (memoria de ondas)

Polifonía: 32 notas en estéreo

Afinación: 438 a 445 hercios, en pasos de 1 hercio
Ajuste de afinación en pasos de 1,2 centésimas de semitono

Reverberación

Control: Profundidad continua

Tipo: Salón

Sala de conciertos 1 (seca)

Sala de conciertos 2

Otros controles:

Volumen, interruptor de alimentación con señal luminosa

Canciones de demostración: 8

Alimentación eléctrica:

15V CC 2000 mA suministrados a través de un adaptador de CA.

Terminales:

Auriculares (HEADPHONES) x 2, entrada MIDI, salida MIDI, entrada AUX, salida AUX, entrada de CC

Accesorios suministrados:

auriculares HPE-170 x 1, adaptador de CA

☰ Specifiche tecniche del sistema "Grand Silent" ☰

Meccanismo silenziatore del pianoforte:

Fermo sulle aste dei martelletti azionato dalla *leva del silenziatore*

Azionamento:

Meccanica del pianoforte a coda con meccanismo "*Quick Escape*"

Sistema sensori:

Rilevazione velocità per 88 tasti

Tasti: sensori a fibra ottiche a 2 raggi, 4 punti (rilevazione della velocità di stacco)

Martelletti: sensori a fibra ottiche a 1 raggio, 2 punti

Pedali forte e piano:

Sensore a posizione continua

Pedale centrale: Sensore attivazione/disattivazione

Generazione tono

Tipo: Campionamento stereo digitale con effetti di risonanza pedale destro

Voce: Pianoforte a coda da concerto Yamaha CFIIIS

Memoria: 30 megabyte (memoria d'onda)

Polifonia: Stereo a 32 note

Accordatura: 438-445 hertz in scatti di 1 hertz
Accordatura precisa in scatti di 1,2 centesimi

Riverbero

Controllo: Profondità continua

Tipo: Room

Hall 1 (default)

Hall 2

Altri comandi:

VOLUME, interruttore di alimentazione con spia di controllo

Brani dimostrativi: 8

Alimentazione:

15V CC 2.000 mA fornita da trasformatore CA

Terminali:

2 prese per cuffie, ingresso MIDI, uscita MIDI, ingresso AUX, uscita AUX, ingresso CC

Accessori in dotazione:

1 cuffia HPE-170, trasformatore CA

YAMAHA
YAMAHA CORPORATION
P.O.Box 1, Hamamatsu, Japan

Function...		Transmitted	Recognized	Remarks
Basic Channel	Default Changed	1 X	1 X	
Mode	Default Messages Altered	3 X *****	3 X X	
Note Number	True Voice	21-108 *****	0-127 0-127	
Velocity	Note On Note Off	0 0	0 0	
After Touch	Keys Ch's	0 X	0 X	
Pitch bend		X	X	
Control Change	64 66 67 91 120 121	0 0 0 X X X	0 0 0 X 0 0	Sustain pedal Sostenuto pedal Shift pedal Reverb Depth All Sound Off Reset All Controllers
Prog Change	:True#	X *****	X X	
System Exclusive		X	X	
System Common	:Song Pos :Song Sel :Tune	X X X	X X X	
System Real Time	:Clock :Commands	X X	X X	
Aux Messages	:Local ON/OFF :All Notes OFF :Active Sense	X X 0 X	X 0 (123-125) 0 X	
Notes				