



# DS2416

## DIGITAL MIXING CARD



---

Owner's Manual

---

Mode d'emploi

---

Bedienungsanleitung

---

Manual de instrucciones

---

取扱説明書

---



# COMPLIANCE INFORMATION STATEMENT

(DECLARATION OF CONFORMITY PROCEDURE)

Responsible Party: YAMAHA CORPORATION OF AMERICA  
Address: 6600 Orangethorpe Avenue, Buena Park, Calif. 90620 U.S.A.  
Telephone: 1-714-522-9011  
FAX: 1-714-739-2680  
Type of Equipment: DIGITAL MIXING CARD  
Model Name: DS2416

This device complies with Part 15 of the FCC Rules.

Operation is subject to the following conditions:

- 1) this device may not cause harmful interference, and
- 2) this device must accept any interference received including interference that may cause undesired operation.

## FCC INFORMATION (U.S.A.)

1. IMPORTANT NOTICE: DO NOT MODIFY THIS UNIT! This product, when installed as indicated in the instructions contained in this manual, meets FCC requirements. Modifications not expressly approved by Yamaha may void your authority, granted by the FCC, to use the product.
2. IMPORTANT: When connecting this product to accessories and/or another product use only high quality shielded cables. Cable/s supplied with this product MUST be used. Follow all installation instructions. Failure to follow instructions could void your FCC authorization to use this product in the USA.
3. NOTE: This product has been tested and found to comply with the requirements listed in FCC Regulations, Part 15 for Class "B" digital devices. Compliance with these requirements provides a reasonable level of assurance that your use of this product in a residential environment will not result in harmful interference with other electronic devices. This equipment generates/uses radio frequencies and, if not installed and used according to the instructions found in the users manual, may cause interference harmful to the operation of other electronic devices. Compliance with FCC regulations does not guarantee that interference will not occur in all installations. If this product is found to be the source of interference, which can be determined by turning the unit "OFF" and "ON", please try to eliminate the problem by using one of the following measures: Relocate either this product or the device that is being affected by the interference. Utilize power outlets that are on different branch (circuit breaker or fuse) circuits or install AC line filter/s. In the case of radio or TV interference, relocate/reorient the antenna. If the antenna lead-in is 300 ohm ribbon lead, change the lead-in to coaxial type cable. If these corrective measures do not produce satisfactory results, please contact the local retailer authorized to distribute this type of product. If you can not locate the appropriate retailer, please contact Yamaha Corporation of America, Electronic Service Division, 6600 Orangethorpe Ave, Buena Park, CA 90620

The above statements apply ONLY to those products distributed by Yamaha Corporation of America or its subsidiaries.

---

# Contents

<b>Introduction</b> .....	<b>3</b>
Yamaha DSP Factory .....	3
Important Note .....	3
System Requirements .....	4
System Notes .....	4
Compatible Software .....	4
<b>Features</b> .....	<b>5</b>
General .....	5
Mixer .....	5
Recorder .....	5
<b>Connections</b> .....	<b>6</b>
Rear .....	6
Internal .....	7
<b>Installing the DS2416</b> .....	<b>8</b>
<b>Testing the DS2416</b> .....	<b>9</b>
Installing the Test Program .....	9
Using the Test Program .....	9
<b>Wordclocks</b> .....	<b>10</b>
Recording Digitally to the DS2416 .....	11
Recording Digitally to DAT .....	11
<b>Digitally Cascading DS2416 Cards</b> .....	<b>12</b>
<b>DS2416 Q&amp;A (Questions &amp; Answers)</b> .....	<b>13</b>
<b>Troubleshooting</b> .....	<b>14</b>
<b>Effects Programs</b> .....	<b>15</b>
<b>Block Diagram</b> .....	<b>18</b>
<b>Specifications</b> .....	<b>20</b>
<b>Effects Parameters</b> .....	<b>149</b>

## Important Notices

- Do not place the DS2416 in an area subject to excessive heat, direct sunlight, excessive humidity, or dust.
- Keep the DS2416 inside its antistatic bag until you are ready to install it.
- To prevent handling damage, hold the DS2416 by the edges or bracket.
- If you accidentally touch the card edge connections, remove any fingerprints using a dry tissue.
- Do not place objects on top of the DS2416, and do not put it down in a place where other objects are likely to be placed on top of it.
- Before removing your computer's cover, turn it off and remove the power cord.
- To prevent static electricity damage, touch a grounded metal part of your computer, such as the power supply case, before handling the DS2416.

## Packing List

- DS2416 Digital Mixing Card
- Driver and Test program floppy disk
- 14-pin to 16-pin cable
- This manual

## Trademarks

IBM PC is a registered trademark of International Business Machines. Korg is a trademark of Korg, Inc. Pentium is a registered trademark of Intel. Sound Blaster is a registered trademark of Advanced WavEffects. Windows 95 is a trademark of Microsoft. Yamaha is a trademark of Yamaha Corporation. All other trademarks are the property of their respective holders and are hereby acknowledged.

## Copyright

No part of the DS2416 *Owner's Manual* may be reproduced or distributed in any form or by any means without the prior written authorization of Yamaha Corporation, Inc.

© 1998 Yamaha Corporation. All rights reserved.

**Keep this manual for future reference!**

## Introduction

Thank you for purchasing the Yamaha DS2416 Digital Mixing Card. With 8-track simultaneous recording, 16-track simultaneous playback, 24-channel mixing, 4-band parametric EQ, effects, and dynamics, the DS2416 provides a complete digital recording studio inside a regular personal computer. Unlike other audio cards, the DS2416's five DSPs take the load off the computer's main processor leaving it free to concentrate on timing and other tasks while the DS2416 takes care of high-quality effects, EQ, and dynamics processing. In some cases, the DS2416's onboard processing powerhouse may allow audio software to record and playback a greater number of tracks.

For ease of installation and high data throughput, the DS2416 uses the industry-standard PCI (Peripheral Component Interconnect) bus. Sound cards can be connected digitally, or two DS2416 cards can be digitally cascaded for 48-channel mixing, each providing 2-channel analog inputs and outputs, with 20-bit 128-times oversampling A/D converters and 20-bit 8-times oversampling D/A converters, and stereo coaxial digital input and output. Inputs and outputs can be expanded using the optional AX44 Audio Expansion Unit, which offers four 1/4-inch analog inputs—two of which can be used with microphones—four 1/4-inch analog outputs and a stereo headphone jack. Two AX44s can be used with each DS2416 card for eight analog inputs and outputs.

### Yamaha DSP Factory

The DS2416 Digital Mixing Card forms the heart of the Yamaha DSP Factory system, a range of products designed to bring professional digital multitrack recording and mixing to personal computers. Other DSP Factory products include the AX44 Audio Expansion Unit, and several analog and digital multi-channel input and output options are currently under development.

Check out the Yamaha Professional Audio Web site for the latest information <<http://www.yamaha.co.jp/product/proaudio/homeenglish/>>.

### Important Note

Whether you can actually use all the DS2416 functions that appear in the manual will depend on your audio software.

### System Requirements

- IBM PC compatible PCI bus Windows 95 computer
- DS2416-compatible audio software

### System Notes

The DS2416 can be used in any IBM PC-compatible PCI bus personal computer running Windows 95. The DS2416 requires a single 5 V PCI expansion bus slot, and cannot be used in 3.3 V PCI slots. It's compliant with PCI version 2.1, requires one IRQ (interrupt request), but no DMA (Direct Memory Access). Since it's a PCI card, IRQ settings are made automatically. PCI bus speeds greater than 33 MHz are not supported.

Processor type, memory, and hard disk requirements are dependent on the controlling software, not the DS2416. The supplied device driver requires a few hundred kilobytes of disk space. Although the DS2416 supports 8-track simultaneous recording and 16-track simultaneous playback, actual performance will depend on the capabilities of your computer and audio software.

### Compatible Software

Any software that supports Windows MME (Multimedia Extensions), including the Windows 95 Media Player accessory, can be used with the DS2416 for recording and playback. To use the mixing functions, however, requires software that supports the DS2416 mixer. As of April 1998, the following software companies are developing, or have already released software for the DS2416. Please visit the following Web sites for more information.

- **C-Mexx** <<http://www.c-mexx.com/>>
- **Cakewalk** <<http://www.cakewalk.com/>>
- **Canam Computers** <<http://www.canam-comp.fr/>>
- **Emagic** <<http://www.emagic.de/>>
- **IQS (Innovative Quality Software)** <<http://www.iqsoft.com/>>
- **Musicator** <<http://www.musicator.com/>>
- **SEK'D** <<http://www.sekd.com/CConsole/StudCcons.htm>>
- **Sonic Foundry** <<http://www.sfoundry.com/>>
- **Steinberg** <<http://www.steinberg.de/>>

Audio software that doesn't support all the features of the DS2416 can still use a basic feature set. However, input and output patching is fixed, as shown in the "Fixed Patchbay Diagram" on page 25. The Windows 95 Volume Control can be used to set the stereo master fader and mute, and the level meters display the recording levels.

## Features

### General

- PCI bus card (compliant with version 2.1)
- Support for Windows 95 MME (Multimedia Extensions)
- Plug and Play installation
- 5 onboard DSPs take the load off the computer's main processor
- 2 analog inputs with 20-bit 128-times oversampling A/D converters
- 2 analog outputs with 20-bit 8-times oversampling D/A converters
- Stereo coaxial digital input and output (20- or 24-bit)
- Optional multi-channel analog and digital input and output options

### Mixer

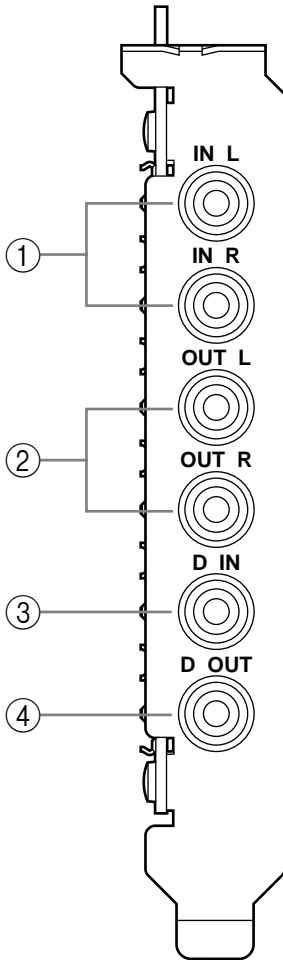
- 24 input channels, 8 bus outs, 6 aux sends (two feeding the onboard effects processors), and a stereo output
- Input channels 21–24 function as effects returns for the onboard effects
- 4-band parametric EQ on all inputs channels and the stereo output
- Dynamics processors with reduction meters on all inputs channels and the stereo output
- Two onboard effects processors with Yamaha ProR3/REV500 quality
- Input delay on input channels 1–20
- Signal level metering for all inputs and outputs
- Digital cascading of two DS2416 cards for 48-channel mixing
- 32-bit digital audio processing

### Recorder

- 8-track simultaneous recording
- 16-track simultaneous playback
- Up to 32-bit recording and playback (software dependent)
- Sample-accurate synchronization between tracks
- External synchronization via controlling software

## Connections

### Rear



#### ① IN L, IN R

Analog IN L and IN R inputs feature phono jacks with a nominal input level of  $-10$  dBV. Analog to digital conversion features 20-bit 128-times oversampling techniques. For best performance use only shielded cables.

#### ② OUT L, OUT R

Analog OUT L and OUT R outputs feature phono jacks with a nominal output level of  $-10$  dBV. Digital to analog conversion features 20-bit 8-times oversampling. For best performance use only shielded cables.

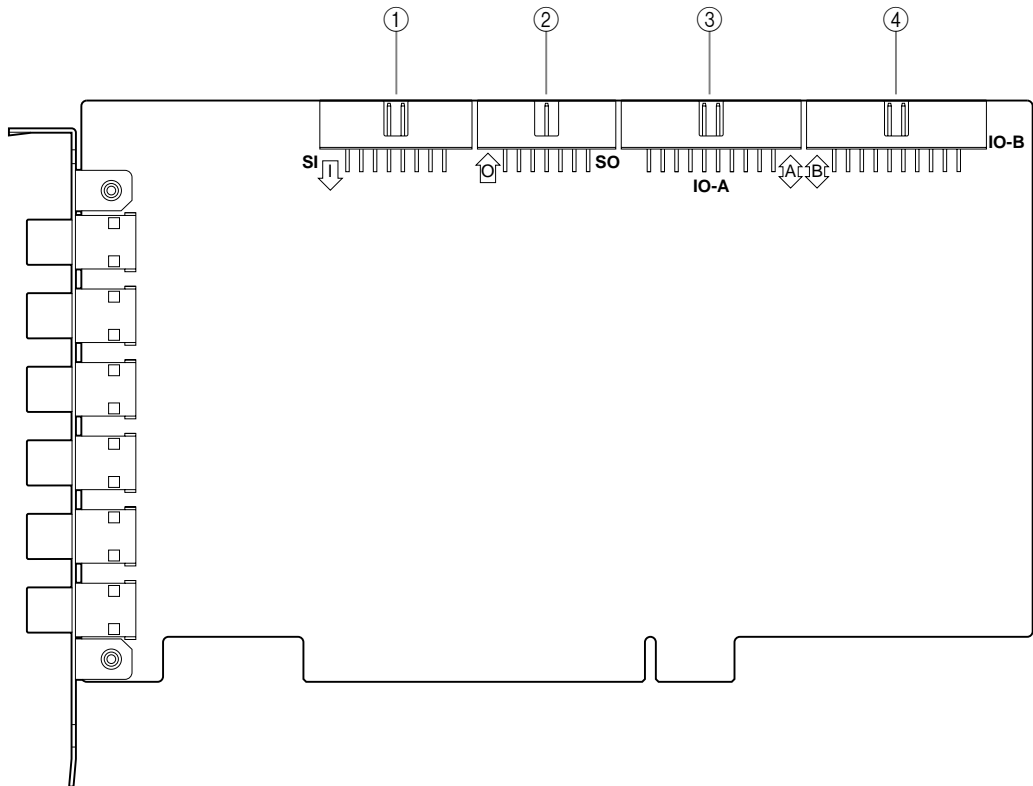
#### ③ D IN

This two-channel coaxial-type phono connection accepts digital audio with a 24-bit maximum wordlength. Use connecting cables with a nominal impedance of 75 ohms.

#### ④ D OUT

This two-channel coaxial-type phono connection outputs digital audio with a 24-bit maximum wordlength. Use connecting cables with a nominal impedance of 75 ohms.



**Internal****① SI (Serial In) connector**

When two DS2416 cards are installed, this connector is connected to the “SO” connector on the other card using the supplied 14-pin to 16-pin cable. Sound cards that support the DS2416 can be connected directly to the mixer’s sub inputs via this connector.

**② SO (Serial Out) connector**

When two DS2416 cards are installed, this connector is connected to the “SI” connector on the other card using the supplied 14-pin to 16-pin cable.

**③ IO-A connector**

This connector connects to the first optional AX44 Audio Expansion Unit.

**④ IO-B connector**

This connector connects to the second optional AX44 Audio Expansion Unit.

## Installing the DS2416

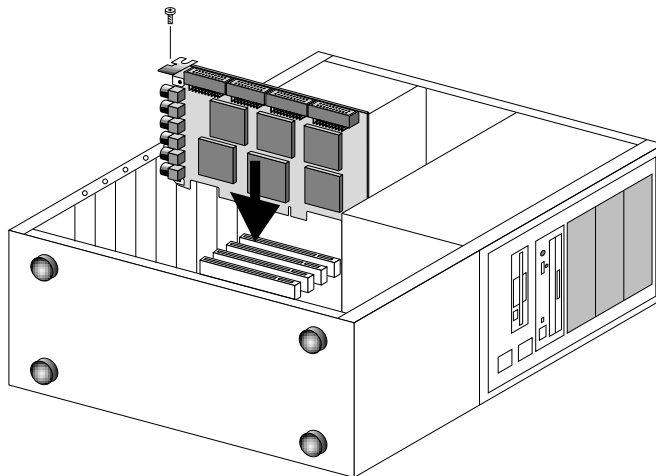
The DS2416 installs into a PCI expansion slot and requires no special jumper settings or interrupt settings.

See your computer's manual for full details on installing PCI cards.

- 1** Turn off the computer and disconnect the power cord.
- 2** Remove the computer's cover.
- 3** Choose an empty PCI slot for the DS2416, and remove the screw from its expansion-slot cover.

To prevent static electricity from damaging the DS2416, touch a grounded metal part of your computer, such as the power supply case, before handling it.

- 4** Carefully align and insert the DS2416 into the PCI slot.
- 5** Secure the DS2416 using the screw removed previously.



*Important: The DS2416 is grounded via the expansion-card fixing screw, so be sure to tighten it securely.*

- 6** Replace the computer's cover.
- 7** Turn on your computer.
- 8** When the New Hardware Found dialog box appears, select "Driver from disk provided by hardware manufacturer", and then click OK.
- 9** When the Install From Disk dialog box appears, insert the driver floppy disk into the floppy disk drive, and then click OK.
- 10** When the restart dialog box appears, restart your computer.

## Testing the DS2416

A test program is included with the DS2416 to make sure that the card, driver, and DSPs are functioning correctly.

### Installing the Test Program

- 1 Insert the supplied floppy disk into the floppy disk drive.
  - 2 Double-click Setup.exe and follow the on-screen prompts.
- The Test program and its associated files are installed.

### Using the Test Program

- 1 From the Start menu, select Programs, DSP Factory, ds2416ck.exe.
- 2 When the Test program window appears, click the CHECK START button to run the tests.

The Test program checks:

1. How many DS2416 cards are installed.
2. Whether the DS2416 drivers are installed
3. Whether the DSP chips are functioning correctly.

The test results appear as each test is completed. If all tests are successful, a sine wave test tone can be produced through the OUT L, OUT R, D OUT, and outputs 1 through 4 of any connected AX44s by clicking the test tone button.

If a test fails, follow the advice provided.

If the driver test fails again after restarting, try reinstalling the driver.

If the DSP test produces a “DSP ERROR” or “DSP NG” message, the DS2416 has a hardware problem and you should contact your Yamaha dealer.

- 3 Click the EXIT button to quit the Test program.

## Wordclocks

Unlike analog audio equipment, digital audio equipment must be synchronized when digital audio is transferred from one device to another, otherwise, the digital audio might not be read correctly and audible noise, glitches, or clicks may occur. Synchronization is achieved using what's called a *wordclock*, which is a clock signal for synchronizing all the digital audio words in an audio system. Note that wordclocks are not the same as SMPTE or MIDI timecode, which are used to synchronize audio recorders, MIDI sequencers, and so on. Wordclock synchronization refers to the synchronization of the digital audio processing circuits inside each digital audio device.

In a typical digital audio system, one device acts as the wordclock master and the other devices act as wordclock slaves, synchronizing to the wordclock master. If the DS2416 is the only digital audio device in your system, no special wordclock settings are required, as the DS2416 synchronizes to its own internal wordclock. Add a DAT recorder or digital multitrack recorder, however, and you must decide which device to use as wordclock master and which devices to use as slaves. Even when you've done this and configured your system, it may sometimes be necessary to change the wordclock settings, such as when recording from a DAT or CD player.

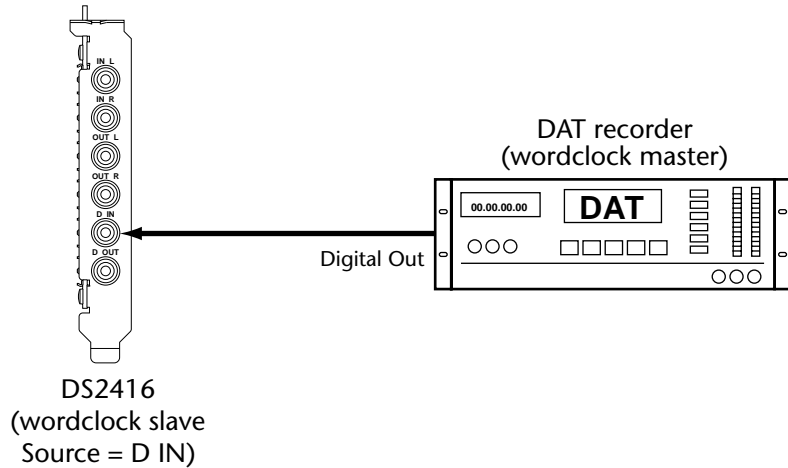
Wordclocks run at the same frequency as the sampling rate. The DS2416 generates its own wordclock at 44.1 kHz (the industry-standard sampling rate for music CDs) or 48 kHz and can be used as wordclock master. Alternatively, it can be used as a wordclock slave synchronized to an external wordclock of between 30.08 kHz and 50.88 kHz (32 kHz  $-6\%$  to 48 kHz  $+6\%$ ). Converting the sampling rate of digital audio is a complicated process, so it's best to use the 44.1 kHz sampling rate, especially if your work is destined for CD distribution.

Wordclock signals can be distributed via dedicated cables or derived from standard digital audio connections, such as the D IN and D OUT connections on the DS2416. With Coaxial digital audio connections, a wordclock signal is transmitted even when no audio signal is present. The DS2416 can also transmit and receive wordclock signals via its SI, SO, IO-A, and IO-B connectors.

In a system where all devices share a common wordclock, it's important that all devices be turned on even when they're not being used. Turn on the wordclock master first, and then the slaves. When shutting down the system, turn off the slaves first, and then the master. Before commencing with a recording session, make sure that all wordclock slaves are synchronized to the master. Some devices have front panel indicators to show when they are wordclock synchronized. Refer to the instructions for each device.

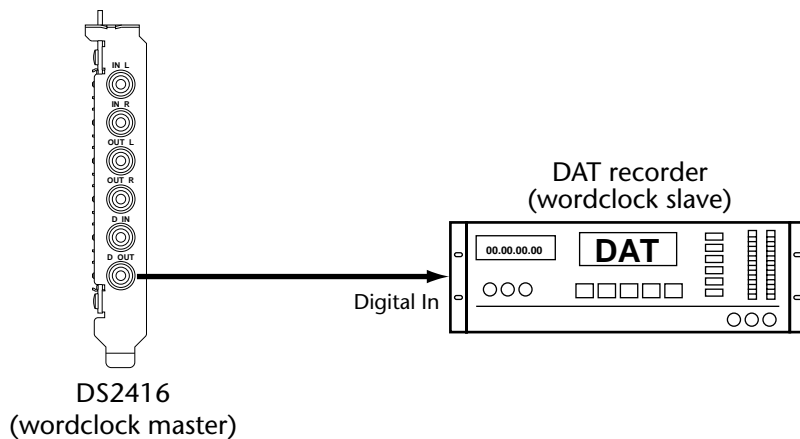
## Recording Digitally to the DS2416

In this example, a DAT deck is connected to the DS2416 D IN connector for digital recording. The DS2416 works as wordclock slave, deriving its wordclock from the D IN connection, and the DAT works as wordclock master.



## Recording Digitally to DAT

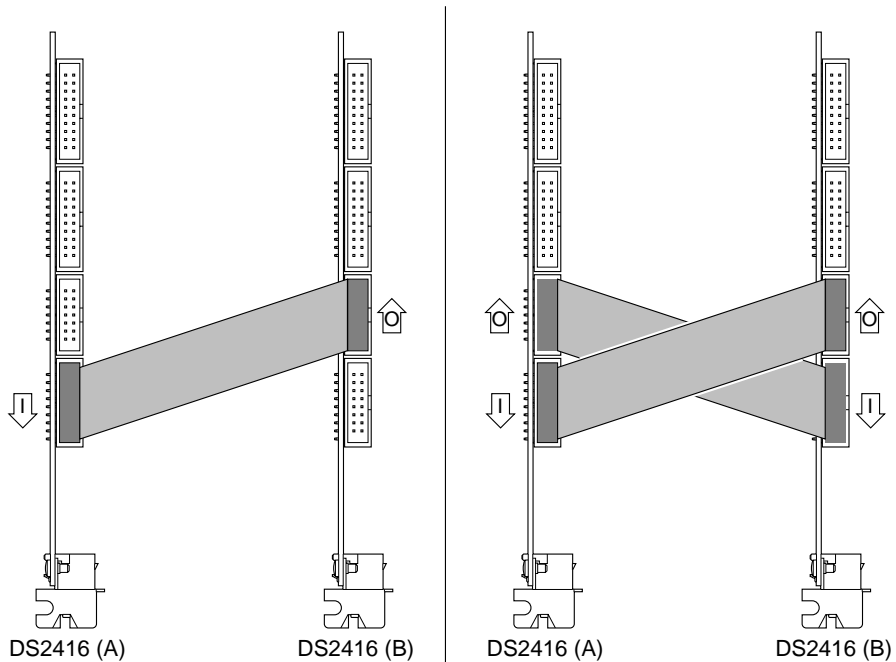
In this example, the D OUT connector on the DS2416 is connected to the digital input of a DAT recorder for digital mixdown recording. The DS2416 works as wordclock master and the DAT works as wordclock slave. When the digital input on the DAT recorder is selected as the recording source, the DAT should automatically synchronize to the wordclock signal coming from the DS2416. On some DAT recorders, the wordclock source may have to be set separately. Refer to the instructions supplied with your DAT recorder.



### Digitally Cascading DS2416 Cards

Using the digital “SI” and “SO” connectors, two DS2416 cards can be digitally cascaded for common busing and 48-channel mixing.

- 1 Install the second DS2416 into a PCI slot adjacent to the first DS2416, as explained previously.
- 2 Using the supplied 14-pin to 16-pin cables, connect the “SI” and “SO” connectors as shown below.



In this example, the buses of DS2416 (A) and (B) are linked together for 48-channel mixing. Individual buses from DS2416 (B) can alternatively be fed to the sub inputs of DS2416 (A).

In this example, the buses of DS2416 (A) and (B) are linked together for 48-channel mixing. Individual buses from either DS2416 can be fed to the other DS2416.

- 3 Replace the computer's cover.

## DS2416 Q&A (Questions & Answers)

**Q** What's a DSP?

**A** A DSP, or Digital Signal Processor is a processor optimized for real-time digital data processing. The DS2416 features the same DSP as the Yamaha 02R and 03D digital mixing consoles and ProR3 and REV500 effects processors.

**Q** At what wordlength is digital audio processed?

**A** The EQ features a 44-bit data path, 32-bit coefficient, and 54-bit accumulator. All other mixer sections feature a 32-bit data path, 24-bit coefficient, and 42-bit accumulator.

**Q** Does the DS2416 have any onboard memory?

**A** Yes, 3 megabytes, which is used for input, and effects delays.

**Q** What is the available recording time?

**A** This depends on the software, selected wordlength, and hard disk space. In general, two channels of 16-bit digital audio use 10.6 MB/min.

**Q** How do I synchronize the DS2416 to MIDI Clock, MTC, or SMPTE timecode?

**A** If the software and timecode interface support external timecode, so does the DS2416.

**Q** Can DS2416 mixer functions be controlled via MIDI?

**A** If the controlling software supports this, yes.

**Q** How good are the onboard effects processors?

**A** As good as those used in the Yamaha ProR3 and REV500 effects processors.

**Q** Can the DS2416 be used simultaneously with a Sound Blaster or Korg 1212 I/O card?

**A** Yes.

## Troubleshooting

Trouble	Advice
The DS2416 does not work?	Make sure that the DS2416 is inserted in the PCI bus slot correctly.
	Make sure that the DS2416 input and outputs are correctly assigned using the controlling software.
	In older computers, some PCI slots may not function as the bus master, and the DS2416 will not work in such slots. See your computer's manual for more details.
	Some PCI cards may conflict with the DS2416. Try removing cards, or swapping slots with the DS2416.
A low-level hum can be heard?	The DS2416 is grounded via the expansion-card fixing screw, so be sure to tighten it securely.



## Effects Programs

The DS2416 provides the following effects programs. Detailed effects parameters are shown on page 149.

### Reverb-type Effects

Type	Description
<b>REVERB HALL</b>	Reverb simulating a large space such as a concert hall.
<b>REVERB ROOM</b>	Reverb simulating the acoustics of a smaller space than REVERB HALL.
<b>REVERB STAGE</b>	Reverb designed with vocals in mind.
<b>REVERB PLATE</b>	Simulation of a metal-plate reverb unit, producing a feeling of hard-edged reverberation.
<b>EARLY REF.</b>	An effect which isolates only the early reflection (ER) component from reverberation. A flashier effect than reverb is produced.
<b>GATE REVERB</b>	A type of ER designed for use as gated reverb.
<b>REVERSE GATE</b>	A reverse-playback type ER.

### Delays

Type	Description
<b>MONO DELAY</b>	Mono delay with simple operation. Use when you don't need to use complex parameter settings.
<b>STEREO DELAY</b>	Stereo delay with independent left and right.
<b>MOD.DELAY</b>	Mono delay with modulation.
<b>DELAY LCR</b>	Three-tap delay (L, C, R).
<b>ECHO</b>	Stereo delay with additional parameters for more detailed control. The signal can be fed back from left to right, and right to left.

## Modulation-type Effects

Type	Description
CHORUS	Three-phase stereo chorus.
FLANGE	The well-known flanging effect.
SYMPHONIC	A Yamaha proprietary effect that produces a richer and more complex modulation than chorus.
PHASER	Stereo phaser with 2–16 stages of phase shift.
AUTO PAN	An effect which cyclically moves the sound between left and right.
TREMOLO	Tremolo
HQ.PITCH (Effect 2 only)	Only one note is pitch-shifted, but a stable effect is produced.
DUAL PITCH	Stereo pitch shift with left and right pitches set independently.
ROTARY	Simulation of a rotary speaker.
RING MOD.	An effect that modifies the pitch by applying amplitude modulation to the frequency of the input.
MOD.FILTER	An effect which uses an LFO to modulate the frequency of the filter.

## Guitar Effects

Type	Description
DISTORTION	Distortion
AMP SIMULATE	Guitar Amp Simulator

## Dynamic Effects

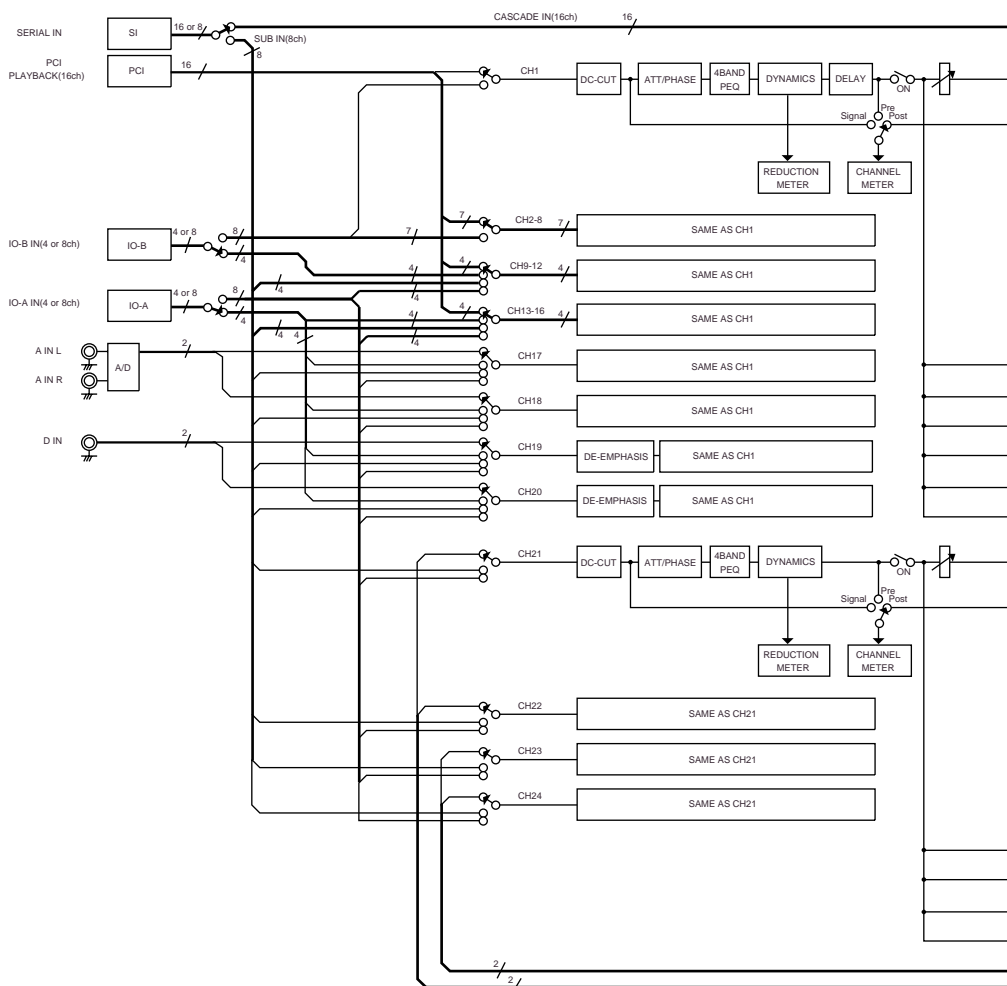
Type	Description
DYNA.FILTER	Dynamically controlled filter.
DYNA.FLANGE	Dynamically controlled flange.
DYNA.PHASER	Dynamically controlled phase shifter.

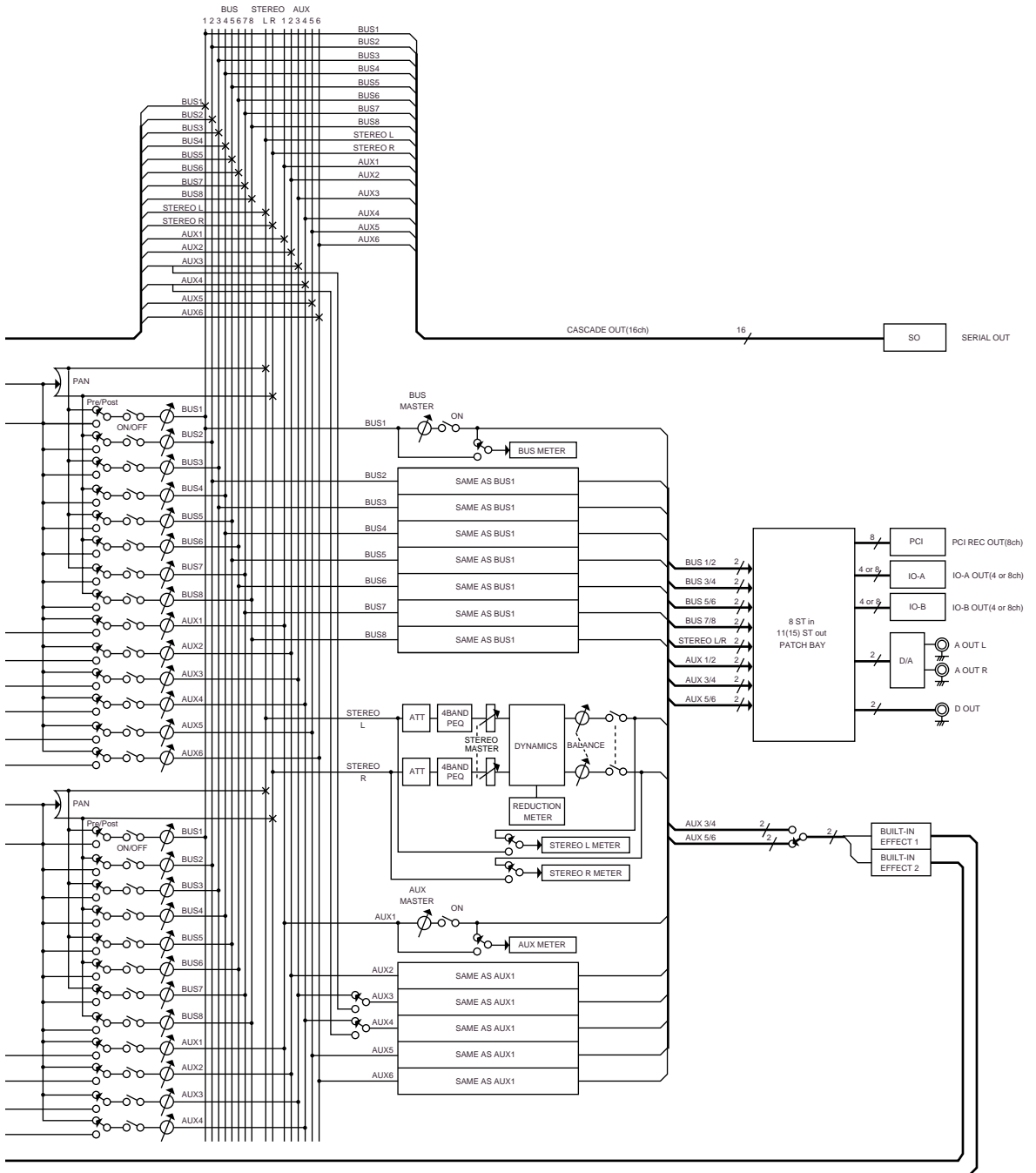
---

## Combined Effects

Type	Description
<b>REV+CHORUS</b>	Reverb and chorus in parallel
<b>REV-&gt;CHORUS</b>	Reverb and chorus in series
<b>REV+FLANGE</b>	Reverb and flange in parallel
<b>REV-&gt;FLANGE</b>	Reverb and flange in series
<b>REV+SYMPHO.</b>	Reverb and symphonic in parallel
<b>REV-&gt;SYMPHO.</b>	Reverb and symphonic in series
<b>REV-&gt;PAN</b>	Reverb and auto-pan in parallel
<b>DELAY+ER.</b>	Delay and early reflections in parallel
<b>DELAY-&gt;ER.</b>	Delay and early reflections in series
<b>DELAY+REV</b>	Delay and reverb in parallel
<b>DELAY-&gt;REV</b>	Delay and reverb in series
<b>DIST-&gt;DELAY</b>	Distortion and delay in series

# Block Diagram





## Specifications

### General

Sampling rate	Internal	44.1 kHz, 48 kHz
	Internal vari-pitch	41.45 to 50.88 kHz <sup>1</sup>
	External	30.08 to 50.88 kHz <sup>2</sup>
Signal delay (fs = 48 kHz)	A/D	620 μs typical
	D/A	310 μs typical
Total harmonic distortion <sup>3</sup> (fs = 48 kHz, +6 dBV, analog input to output)		Less than 0.02% (20 Hz to 20 kHz)
Frequency response (fs = 48 kHz, +6 dBV, analog input to output)		20 Hz to 20 kHz, -3, +1 dB
Dynamic range <sup>4</sup> (fs = 48 kHz)	D/A	Typically 94 dB
	A/D + D/A	Typically 93 dB
Residual output noise <sup>4</sup> (D/A input = digital 0)		Typically -88 dBV
Input	IN L, IN R	20-bit 128-times oversampling A/D
	D IN	Consumer format (Coaxial)
Output	OUT L, OUT R	20-bit 8-times oversampling D/A
	D OUT	Consumer format (Coaxial)
Effects (HQ. Pitch type for Effect 2 only)	Effect 1	39 types
	Effect 2	40 types
Power supply		+5 V (1.5 A max) +12 V (150 mA max)
Maximum power consumption		9.3 W
Temperature	Operating	+10 to +40°C
	Storage	-20 to +55°C
Dimensions (H x L x D)		125.92 x 187.95 x 21.59 mm (4.95 x 7.4 x 0.85 inch) PCI Raw Variable Height Short Card (5 V, 32-bit)
Weight		170 g (6 oz)
Supplied accessories		Driver floppy disk
		14-pin to 16-pin 100 mm cable x1

1. 44.1 kHz ±6%, 48 kHz ±6%
2. 32 KHz -6% to 48 kHz +6%
3. Bandwidth filter ±0.1 dB (20 Hz to 20 kHz), -60 dB (more than 24.1 kHz)
4. Bandwidth filter as above plus Weighting Filter (IEC60651 A curve, Tolerance: Type 0)

**Input Channels**

<b>De-emphasis (CH19, CH20)</b>		Automatically applied as needed
<b>DC Cut</b>		Automatically applied as needed
<b>ATT</b>		-96 to +12 dB (109 steps)
<b>Phase</b>		Normal/reverse
<b>4-band EQ (12 EQ types per band)</b>	<b>Frequency</b>	20 Hz to 20 kHz (120 steps, 12 points/octave)
	<b>Gain</b>	-18 to +18 dB (73 steps, 0.5 dB/step)
	<b>Q</b>	0.1 to 10.0 (41 steps)
<b>Dynamics (6 types)</b>	<b>Threshold</b>	-54 to 0 dB (55 steps, 1.0 dB/step)
	<b>Attack</b>	0 to 120 ms (121 steps, 1 ms/step)
	<b>Gain</b>	0 to 18 dB (37 steps, 0.5 dB/step)
	<b>Release</b>	5 ms to 42.3 s, fs = 48.0 kHz (160 steps) 6 ms to 46.0 s, fs = 44.1 kHz (160 steps)
	<b>Ratio</b>	1.0 to infinity (16 steps)
	<b>Knee</b>	Hard, 1, 2, 3, 4, 5 (6 steps)
	<b>Range</b>	-70 to 0 dB (71 steps, 1.0 dB/step)
	<b>Hold</b>	0.02 ms to 1.96 s, fs = 48.0 kHz (216 steps) 0.02 ms to 2.13 s, fs = 44.1 kHz (216 steps)
	<b>Decay</b>	5 ms to 42.3 s, fs = 48.0 kHz (160 steps) 6 ms to 46.0 s, fs = 44.1 kHz (160 steps)
	<b>Width</b>	1 to 90 (90 steps, 1.0 dB/step)
	<b>Mgain</b>	-18 to 0 dB (37 step, 0.5 dB/step)
<b>Reduction meter</b>	-18 to 0 dB (12 steps)	
<b>Delay (CH1 to CH20)</b>		0 to 2,600 samples (2,601 steps)
		On/Off
<b>On/Off</b>		
<b>Fader</b>		-Infinity, -90 to +10 dB (128 steps)
<b>Pan</b>		33 steps
<b>Channel meter</b>		-72 to 0 dB (32 steps)
		Pre/Post/Signal
		Peak Hold
		Decay Fast/Slow
<b>Bus send</b>	<b>Level</b>	-Infinity, -120 to 0 dB (128 steps)
	<b>Pre/Post</b>	(Pre pan/post pan)
	<b>On/Off</b>	
<b>Aux send</b>	<b>Level</b>	-Infinity, -120 to 0 dB (128 steps)
	<b>Pre/Post</b>	(Pre fader/post fader)
	<b>On/Off</b>	

### Bus Outs 1–8

<b>Bus master fader</b>	–Infinity, –120 to 0 dB (128 steps)
<b>On/Off</b>	
<b>Bus meter</b>	–72 to 0 dB (32 steps)
	Pre/Post fader
	Peak Hold
	Decay Fast/Slow

### Aux Sends 1–6

<b>Aux master fader</b>	–Infinity, –120 to 0 dB (128 steps)
<b>On/Off</b>	
<b>Aux meter</b>	–72 to 0 dB (32 steps)
	Pre/Post fader
	Peak Hold
	Decay Fast/Slow

### Stereo Output

<b>ATT</b>	–96 to +12 dB (109 steps)	
<b>4-band EQ (12 EQ types per band)</b>	<b>Frequency</b>	20 Hz to 20 kHz (120 steps, 12 points/octave)
	<b>Gain</b>	–18 to +18 dB (73 steps, 0.5 dB/step)
	<b>Q</b>	0.1 to 10.0 (41 steps)
<b>Stereo master fader</b>	–Infinity, –120 to 0 dB (128 steps)	
<b>Dynamics (6 types)</b>	<b>Threshold</b>	–54 to 0 dB (55 steps, 1.0 dB/step)
	<b>Attack</b>	0 to 120 ms (121 steps, 1 ms/step)
	<b>Gain</b>	0 to 18 dB (37 steps, 0.5 dB/step)
	<b>Release</b>	5 ms to 42.3 s, fs = 48.0 kHz (160 steps)
		6 ms to 46.0 s, fs = 44.1 kHz (160 steps)
	<b>Ratio</b>	1.0 to infinity (16 steps)
	<b>Knee</b>	Hard, 1, 2, 3, 4, 5 (6 steps)
	<b>Range</b>	–70 to 0 dB (71 steps, 1.0 dB/step)
	<b>Hold</b>	0.02 ms to 1.96 s, fs = 48.0 kHz (216 steps)
		0.02 ms to 2.13 s, fs = 44.1 kHz (216 steps)
	<b>Decay</b>	5 ms to 42.3 s, fs = 48.0 kHz (160 steps)
6 ms to 46.0 s, fs = 44.1 kHz (160 steps)		
<b>Width</b>	1 to 90 (90 steps, 1.0 dB/step)	
<b>Mgain</b>	–18 to 0 dB (37 steps, 0.5 dB/step)	
<b>Reduction meter</b>	–18 to 0 dB (12 steps)	
<b>Balance</b>	33 steps	



<b>Stereo meter</b>	–72 to 0 dB (32 steps)
	Pre/Post fader
	Peak Hold
	Decay Fast/Slow

### Input Patchbay

Input	Selectable Source
<b>CH1</b>	PCI PB1, IO-B2-1
<b>CH2</b>	PCI PB2, IO-B2-2
<b>CH3</b>	PCI PB3, IO-B2-3
<b>CH4</b>	PCI PB4, IO-B2-4
<b>CH5</b>	PCI PB5, IO-B2-5
<b>CH6</b>	PCI PB6, IO-B2-6
<b>CH7</b>	PCI PB7, IO-B2-7
<b>CH8</b>	PCI PB8, IO-B2-8
<b>CH9</b>	PCI PB9, IO-B1-1, SUB IN1, IO-A2-1
<b>CH10</b>	PCI PB10, IO-B1-2, SUB IN2, IO-A2-2
<b>CH11</b>	PCI PB11, IO-B1-3, SUB IN3, IO-A2-3
<b>CH12</b>	PCI PB12, IO-B1-4, SUB IN4, IO-A2-4
<b>CH13</b>	PCI PB13, IO-A1-1, SUB IN5, IO-A2-5
<b>CH14</b>	PCI PB14, IO-A1-2, SUB IN6, IO-A2-6
<b>CH15</b>	PCI PB15, IO-A1-3, SUB IN7, IO-A2-7
<b>CH16</b>	PCI PB16, IO-A1-4, SUB IN8, IO-A2-8
<b>CH17</b>	IN L, IO-A1-1, SUB IN1, IO-A2-1
<b>CH18</b>	IN R, IO-A1-2, SUB IN2, IO-A2-2
<b>CH19</b>	DIN L, IO-A1-3, SUB IN3, IO-A2-3
<b>CH20</b>	DIN R, IO-A1-4, SUB IN4, IO-A2-4
<b>CH21</b>	Effect1 Return L, SUB IN5, IO-A2-5
<b>CH22</b>	Effect1 Return R, SUB IN6, IO-A2-6
<b>CH23</b>	Effect2 Return L, SUB IN7, IO-A2-7
<b>CH24</b>	Effect2 Return R, SUB IN8, IO-A2-8

PCI PB: wave data, etc., playback  
 IO-A1: 4-input/4-output device connected to IO-A  
 IO-A2: 8-input/8-output device connected to IO-A  
 IO-B1: 4-input/4-output device connected to IO-B  
 IO-B2: 8-input/8-output device connected to IO-B

### Output Patchbay

Sources 1 through 8 can be patched to any destination.

Source	Destination
1: BUS 1, 2	1: REC 1, 2
2: BUS 3, 4	2: REC 3, 4
3: BUS 5, 6	3: REC 5, 6
4: BUS 7, 8	4: REC 7, 8
5: AUX 1, 2	5: IO-A1-1, 2 (IO-A2-1, 2)
6: AUX 3, 4	6: IO-A1-3, 4 (IO-A2-3, 4)
7: AUX 5, 6	7: IO-B1-1, 2 (IO-B2-1, 2)
8: STL, STR	8: IO-B1-3, 4 (IO-B2-3, 4)
	9: AOUTL, AOUTR
	10: DOUTL, DOUTR
	11: IO-A2-5, 6
	12: IO-A2-7, 8
	13: IO-B2-5, 6
	14: IO-B2-7, 8

IO-A1: 4-input/4-output device connected to IO-A

IO-A2: 8-input/8-output device connected to IO-A

IO-B1: 4-input/4-output device connected to IO-B

IO-B2: 8-input/8-output device connected to IO-B

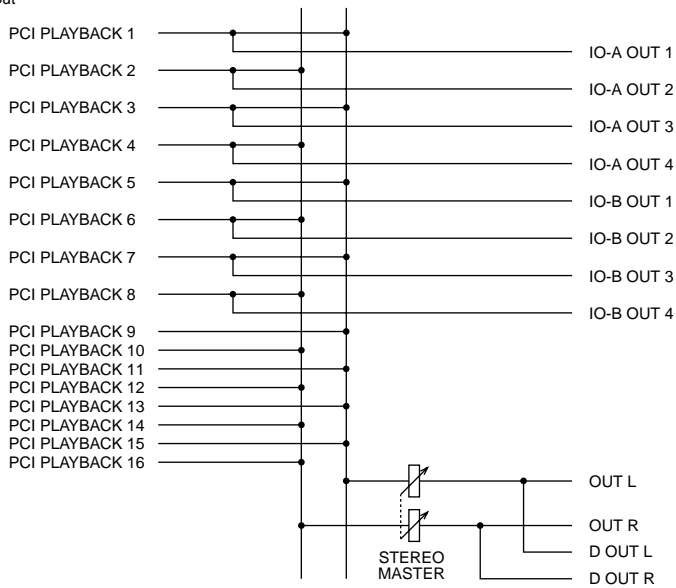
## Fixed Patchbay Diagram

When audio software that doesn't support the DS2416's mixer is used, input and output assignments are fixed, as shown below.

Input



Output



## Analog Inputs

Connection	Actual load impedance	For use with nominal	Input level		Connector
			Nominal	Max. before clip	
IN L, IN R <sup>1</sup>	10k $\Omega$	600 $\Omega$ lines	-10 dBV <sup>2</sup> (316 mV)	+6 dBV (1.995 V)	Phono jack (unbalanced)

1. Inputs feature linear 20-bit 128-times oversampling A/D converters.
2. Where dBV represents a specific voltage, 0 dBV is referenced to 1 V rms.

## Analog Outputs

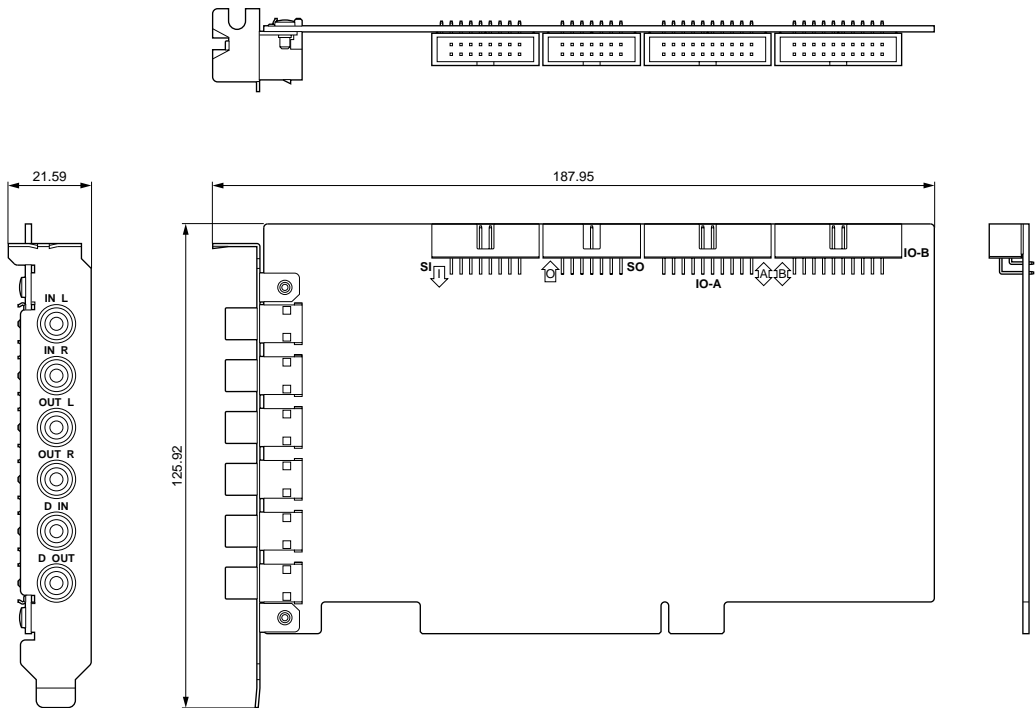
Connection	Actual source impedance	For use with nominal	Output level		Connector
			Nominal	Max. before clip	
OUT L, OUT R <sup>1</sup>	600 $\Omega$	10k $\Omega$ lines	-10 dBV <sup>2</sup> (316 mV)	+6 dBV (1.995 V)	Phono jack (unbalanced)

1. Outputs feature linear 20-bit 8-times oversampling D/A converters.
2. Where dBV represents a specific voltage, 0 dBV is referenced to 1 V rms.

## Digital I/O

Connection	I/O	Format	Level	Connector
D IN	I	IEC60958 Consumer	0.5 V <sub>pp</sub> , 75 $\Omega$	Phono jack (unbalanced)
D OUT	O	IEC60958 Consumer	0.5 V <sub>pp</sub> , 75 $\Omega$	Phono jack (unbalanced)
IO-A, IO-B	I/O	4CH or 8CH digital audio inputs 4CH or 8CH digital audio outputs 32-bit max/channel Format depends on counterpart	5 V CMOS	20-pin connector
SERIAL IN	I	8CH or 16CH digital audio inputs 32-bit max/channel Format depends on counterpart	5 V CMOS	16-pin connector
SERIAL OUT	O	8CH or 16CH digital audio outputs 32-bit max/channel Format depends on counterpart	5 V CMOS	14-pin connector

## Dimensions



Unit: mm

Specifications and external appearance are subject to change without notice.



# DS2416

## DIGITAL MIXING CARD



---

Mode d'emploi

---

Français

---

## Sommaire

<b>Introduction</b> .....	<b>32</b>
Yamaha DSP Factory .....	32
Remarque importante .....	32
Système requis .....	33
Remarque concernant le système .....	33
Logiciels compatibles .....	33
<b>Caractéristiques</b> .....	<b>34</b>
Générales .....	34
Mixer .....	34
Recorder .....	34
<b>Connexions</b> .....	<b>35</b>
Connexions arrière .....	35
Connexions internes .....	36
<b>Installation de la DS2416</b> .....	<b>37</b>
<b>Tester la DS2416</b> .....	<b>39</b>
Installer le programme de test (Test Program) .....	39
Utiliser le programme de test .....	39
<b>Wordclocks</b> .....	<b>40</b>
Enregistrement numérique sur la DS2416 .....	41
Enregistrement numérique sur DAT .....	41
<b>Cascade numérique de cartes DS2416</b> .....	<b>42</b>
<b>DS2416 Q&amp;R (questions &amp; réponses)</b> .....	<b>43</b>
<b>Dépannage</b> .....	<b>44</b>
<b>Programmes d'effets</b> .....	<b>45</b>
<b>Schéma</b> .....	<b>48</b>
<b>Fiche technique</b> .....	<b>50</b>
<b>Effects Parameters</b> .....	<b>149</b>

---

## Remarques importantes

- Ne placez pas la DS2416 dans un endroit soumis à une chaleur ou une humidité excessive, au rayonnement direct du soleil ou à la poussière.
- Conservez la DS2416 dans son sac antistatique jusqu'à ce que vous soyez prêt à l'installer.
- Pour éviter tout endommagement lors de la manipulation, tenez la DS2416 par les bords ou la fixation.
- Si vous touchez accidentellement les connexions du bord de la carte, enlevez les empreintes digitales avec un mouchoir sec.
- Ne placez pas d'objet sur la DS2416 et ne la déposez pas dans un endroit où d'autres objets risquent d'être placés dessus.
- Avant d'ouvrir le boîtier de votre ordinateur, coupez-en l'alimentation et débranchez le cordon d'alimentation.
- Pour éviter tout endommagement par électricité statique, touchez une partie métallique mise à la masse de votre ordinateur, telle que le boîtier d'alimentation, avant de manier la DS2416.

## Contenu de l'emballage

- DS2416 Digital Mixing Card
- Disquette avec pilote et programme de test (Driver et Test)
- Câble de 14/16 broches
- Ce manuel

## Marques commerciales

IBM PC est une marque commerciale de International Business Machines. Korg est une marque commerciale de Korg, Inc. Pentium est une marque déposée de Intel. Sound Blaster est une marque déposée de Advanced WavEffects. Windows 95 est une marque commerciale de Microsoft. Yamaha est une marque commerciale de Yamaha Corporation. Toutes les autres marques sont la propriété de leurs détenteurs respectifs et sont reconnues par la présente.

## Copyright

Il est interdit de reproduire en tout ou en partie ce *Mode d'emploi* ou de le distribuer sous quelque forme ou par quelque moyen que ce soit sans l'autorisation écrite préalable de Yamaha Corporation, Inc.

© 1998 Yamaha Corporation. Tous droits réservés.

**Conservez ce manuel pour toute référence ultérieure!**

---



## Introduction

Nous vous remercions d'avoir opté pour la Yamaha DS2416 Digital Mixing Card. Cette carte de mixage numérique permet un enregistrement simultané sur 8 pistes, une reproduction simultanée sur 16 pistes, un mixage sur 24 canaux, une égalisation paramétrique à 4 bandes, des effets et des paramètres de dynamique; elle constitue un studio d'enregistrement numérique complet qu'il suffit d'insérer dans un ordinateur personnel. A la différence des autres cartes audio, les cinq DSP de la DS2416 allègent le travail du processeur principal de l'ordinateur ce qui le libère pour des tâches de synchronisation et autres tandis que la DS2416 s'occupe des effets de haute qualité, de l'égalisation et du traitement de dynamique. Dans certains cas, les processeurs du DS2416 peuvent permettre à des logiciels audio d'enregistrer et de reproduire un plus grand nombre de pistes.

Pour simplifier l'installation et le transfert considérable de données, la DS2416 se sert du connecteur de norme industrielle PCI (Peripheral Component Interconnect). Les cartes sonores peuvent être branchées numériquement; vous pouvez également brancher deux cartes DS2416 en cascade pour effectuer des mixages de 48 canaux. Chaque carte fournit des entrées et des sorties analogiques de canaux pourvues de convertisseurs A/N 20 bits avec suréchantillonnage à 128 fois et des convertisseurs N/A 20 bits avec suréchantillonnage à 8 fois. Pour augmenter vos entrées et sorties, vous pouvez vous servir de l'AX44 Audio Expansion Unit, disponible en option, qui vous propose quatre entrées analogiques 1/4" (dont deux peuvent être utilisées avec des microphones), quatre sorties analogiques 1/4" et une borne stéréo pour casque. Chaque carte DS2416 peut accueillir deux AX44 afin de bénéficier de huit entrées et sorties analogiques.

### Yamaha DSP Factory

La DS2416 Digital Mixing Card constitue le cœur du système Yamaha DSP Factory, une gamme de produits conçus pour amener l'enregistrement multi-piste et le mixage professionnels sur ordinateurs. La gamme DSP Factory propose également l'AX44 Audio Expansion Unit; plusieurs options d'entrées et de sorties multi-canaux numériques et analogiques sont en cours de développement.

Pour les toutes dernières nouvelles, consultez le site Web Yamaha Professional Audio <<http://www.yamaha.co.jp/product/proaudio/homeenglish/>>.

### Remarque importante

L'accès à toutes les fonctions de la DS2416 décrites dans ce manuel dépend de votre logiciel audio.

## Système requis

- Ordinateur sous Windows 95, compatible IBM PC, avec connecteur PCI
- Logiciel audio compatible avec la DS2416

## Remarque concernant le système

La carte DS2416 peut être insérée dans n'importe quel ordinateur compatible IBM PC, doté d'un connecteur PCI et tournant sous Windows 95. La DS2416 nécessite un connecteur d'extension simple 5 V PCI et ne peut pas être utilisée avec des connecteurs 3.3 V PCI. Elle répond à la version PCI 2.1, exige une IRQ (interrupt request) mais pas de DMA (Direct Memory Access). Comme il s'agit d'une carte PCI, les réglages IRQ sont faits automatiquement. Des vitesses de bus PCI supérieures à 33 MHz ne sont pas supportées.

Les spécifications concernant le type de processeur, la mémoire et le disque dur dépendent du logiciel pilote et non de la DS2416. Le pilote fourni prend quelques centaines de Ko. Bien que la DS2416 puisse enregistrer sur 8 pistes et reproduire sur 16 pistes simultanément, la performance réelle dépend des possibilités de votre ordinateur et de votre logiciel audio.

## Logiciels compatibles

N'importe quel logiciel supportant Windows MME (Multimedia Extensions), y compris Media Player de Windows 95, peut être utilisé avec la DS2416 pour l'enregistrement et la reproduction. Cependant, pour bénéficier des fonctions de mixages, le logiciel doit supporter le mélangeur de la DS2416. En avril 1998, les firmes suivantes proposaient ou développaient un logiciel pour la DS2416. Veuillez voir les sites Web suivants pour en savoir davantage:

- **C-Mexx** <<http://www.c-mexx.com/>>
- **Cakewalk** <<http://www.cakewalk.com/>>
- **Canam Computers** <<http://www.canam-comp.fr/>>
- **Emagic** <<http://www.emagic.de/>>
- **IQS (Innovative Quality Software)** <<http://www.iqsoft.com/>>
- **Musicator** <<http://www.musicator.com/>>
- **SEK'D** <<http://www.sekd.com/CConsole/StudCcons.htm>>
- **Sonic Foundry** <<http://www.sfoundry.com/>>
- **Steinberg** <<http://www.steinberg.de/>>

Les logiciels audio qui ne supportent pas toutes les fonctions de la DS2416 peuvent en utiliser un jeu de base. Toutefois, l'acheminement entrée/sortie est fixe, comme le montre le "Schéma de multiconnecteur fixe" à la page 55. La commande Volume Windows 95 permet de régler le curseur Master stéréo et Mute tandis que les VU-mètres affichent les niveaux d'enregistrement.

## Caractéristiques

### Générales

- Carte de connecteur PCI (répondant à la version 2.1)
- Support pour Windows 95 MME (extensions multimédia)
- Installation Plug and Play
- 5 DSP intégrés allègent la tâche du processeur principal de l'ordinateur.
- 2 entrées analogiques avec des convertisseurs A/N 20 bits et suréchantillonnage à 128 fois
- 2 sorties analogiques avec des convertisseurs N/A 20 bits et suréchantillonnage à 8 fois
- Entrée et sortie numériques coaxiales stéréo (20 ou 24 bits)
- Entrées et sorties analogiques et numériques multi-canaux disponibles en option

### Mixer

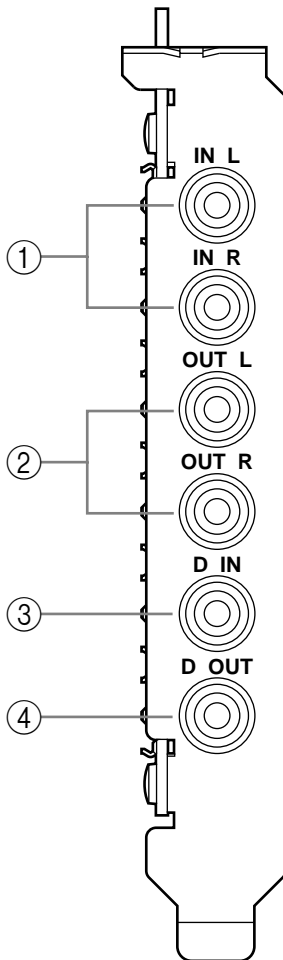
- 24 canaux d'entrée, 8 bus de sortie, 6 envois Aux (dont deux vers les processeurs d'effets de bord) et une sortie stéréo.
- Les canaux d'entrée 21~24 font office de retours d'effet pour les effets intégrés.
- Egalisation paramétrique à 4 bandes sur tous les canaux d'entrée et la sortie stéréo.
- Processeurs de dynamique avec indicateurs de réduction sur tous les canaux d'entrée et la sortie stéréo.
- Deux processeurs d'effets intégrés de qualité Yamaha ProR3/REV500.
- Retard d'entrée sur les canaux d'entrée 1~20.
- Contrôle du niveau des signaux pour toutes les entrées et sorties.
- Cascade numérique de 2 cartes DS2416 permettant de mixer 48 canaux.
- Traitement audio numérique à 32 bits.

### Recorder

- Enregistrement simultané sur 8 pistes.
- Reproduction simultanée sur 16 pistes.
- Enregistrement et reproduction jusque 32 bits (selon le logiciel).
- Synchronisation à l'échantillon près entre les pistes.
- Synchronisation via le logiciel pilote.

# Connexions

## Connexions arrière



### ① IN L, IN R

Les entrées analogiques IN L et IN R sont constituées de bornes RCA/Cinch avec un niveau d'entrée de  $-10$  dBV. La conversion analogique/numérique se sert de techniques d'échantillonnage 20 bits à 128 fois. Pour un résultat optimal, servez-vous exclusivement de câbles blindés.

### ② OUT L, OUT R

Les sorties analogiques OUT L et OUT R sont constituées de bornes RCA/Cinch avec un niveau de sortie nominal de  $-10$  dBV. La conversion analogique/numérique se sert de techniques d'échantillonnage 20 bits à 8 fois. Pour un résultat optimal, servez-vous exclusivement de câbles blindés.

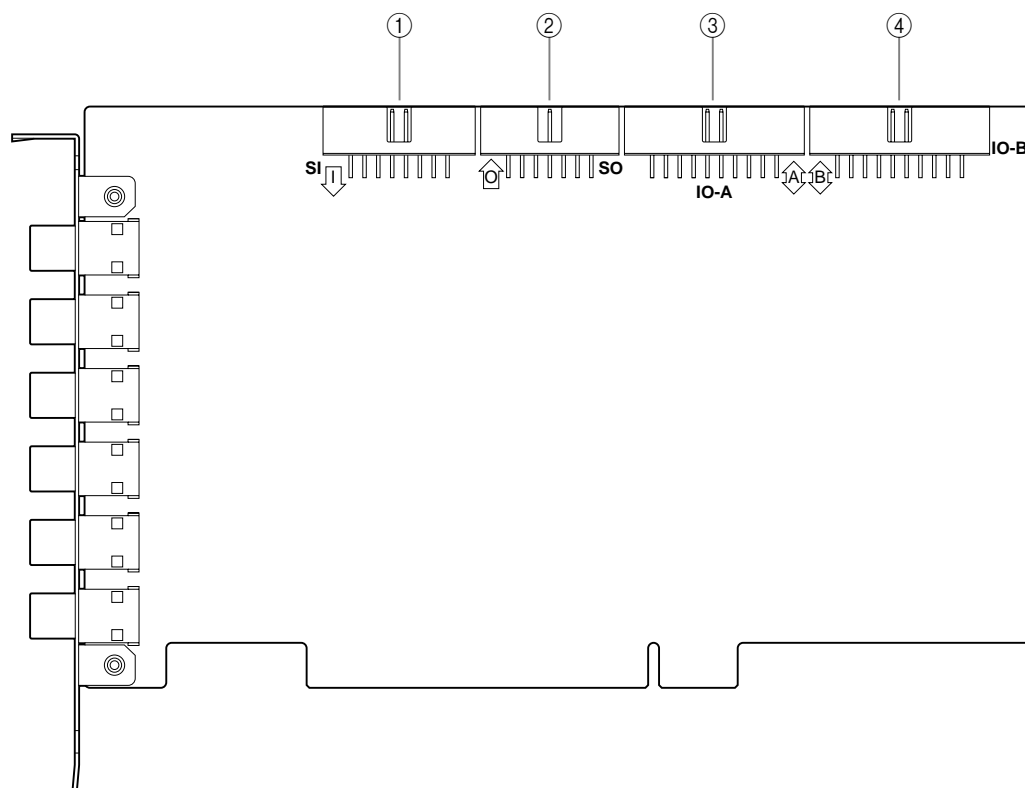
### ③ D IN

Cette borne RCA/Cinch de type coaxial à deux canaux accepte des données audio numériques d'une longueur de mot de 24 bits maximum. Utilisez des câbles d'une impédance nominale de  $75\Omega$ .

### ④ D OUT

Cette borne RCA/Cinch de type coaxial à deux canaux produit des données audio numériques d'une longueur de mot de 24 bits maximum. Utilisez des câbles d'une impédance nominale de  $75\Omega$ .

## Connexions internes



### ① Connecteur SI (Serial In ou entrée série)

Lorsque vous installez deux cartes DS2416, ce connecteur est relié au connecteur SO de l'autre carte par le câble 14/16 broches fourni. Les cartes de son compatibles avec la DS2416 peuvent être branchées directement à ce connecteur. Ses signaux de sortie apparaissent alors aux entrées secondaires (sub) du mixer de la DS2416.

### ② Connecteur SO (Serial Out ou sortie série)

Lorsque deux cartes DS2416 sont installées, ce connecteur est branché à la borne SI de l'autre carte avec le câble 14/16 broches fourni.

### ③ Connecteur IO-A

Ce connecteur permet de relier la première unité d'extension AX44 Audio Expansion Unit, disponible en option.

### ④ Connecteur IO-B

Ce connecteur permet de relier la seconde unité AX44 Audio Expansion Unit.

## Installation de la DS2416

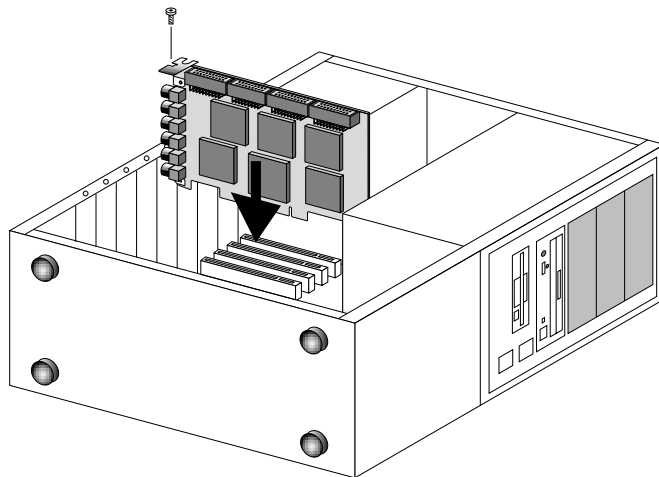
La DS2416 s'installe dans un connecteur d'extension PCI et ne demande pas de réglages de cavalier ou d'interruption particuliers.

Voyez le manuel de votre ordinateur pour en savoir plus sur l'installation des cartes PCI.

- 1 Coupez l'ordinateur et débranchez le cordon d'alimentation.
- 2 Ouvrez le boîtier de l'ordinateur.
- 3 Choisissez une fente PCI vide pour la carte DS2416 et enlevez la vis du cache du connecteur d'extension.

Pour éviter d'endommager la DS2416 avec de l'électricité statique, touchez une partie métallique mise à la masse de votre ordinateur, telle que le boîtier d'alimentation, avant de manier la carte.

- 4 Alignez et insérez convenablement la DS2416 dans le connecteur PCI.
- 5 Fixez la DS2416 avec la vis retirée au préalable.



*Important: La DS2416 est mise à la masse via la vis de fixation pour carte d'extension. Il est donc primordial de la serrer convenablement.*

- 6 Refermez le boîtier de l'ordinateur.
- 7 Mettez votre ordinateur sous tension.
- 8 Lorsque la fenêtre Nouveau périphérique détecté (New Hardware Found) apparaît, sélectionnez "Pilote de la disquette fournie par le fabricant" ("Driver from disk provided by hardware manufacturer") et cliquez sur OK.

- 9 Lorsque la boîte de dialogue Installer à partir de la disquette (Install From Disk) apparaît, insérez la disquette du pilote dans le lecteur et cliquez sur OK.
- 10 Lorsque la boîte de dialogue de redémarrage apparaît, redémarrez votre ordinateur.

## Tester la DS2416

Un programme de test est fourni avec la DS2416 pour s'assurer que la carte, le pilote et les processeurs DSP fonctionnent correctement.

### Installer le programme de test (Test Program)

- 1** Insérez la disquette fournie dans le lecteur.
- 2** Double-cliquez sur Setup.exe et suivez les instructions à l'écran. Le programme de test et ses fichiers annexes sont installés.

### Utiliser le programme de test

- 1** Dans le menu Démarrer (Start), sélectionnez Programmes, DSP Factory, ds2416ck.exe.
- 2** Lorsque la fenêtre Test apparaît, cliquez sur le bouton CHECK START pour effectuer les tests.

Le programme de test vérifie:

1. Combien de cartes DS2416 sont installées.
2. Si les pilotes DS2416 sont installés.
3. Si les processeurs DSP fonctionnent correctement.

Le résultat du test apparaît à la fin de chaque test. Si tous les tests sont bons, une tonalité de test de type sinusoïdal peut être produite par les sorties OUT L, OUT R, D OUT ainsi que les sorties de 1 à 4 de tout AX44 branché lorsque vous cliquez sur le bouton Test Tone.

Si un test est mauvais, suivez les conseils donnés.

Si le test du pilote est toujours mauvais après le redémarrage, réinstallez le pilote.

Si le test DSP se conclut par un message "DSP ERROR" ou "DSP NG", la DS2416 a un problème matériel. Vous devriez alors prendre contact avec votre revendeur Yamaha.

- 3** Cliquez sur le bouton EXIT pour quitter le programme de test.



## Wordclocks

Lorsque plusieurs appareils numériques sont assemblés pour former un système, ils doivent être synchronisés avec la même source Wordclock pour éviter que les données numériques ne soient mal lues ce qui entraînerait des bruits ou des glissements indésirables. Il ne s'agit pas ici de la synchronisation MIDI ou SMPTE mais de la synchronisation Wordclock de tous les circuits de traitement audio numérique. Un appareil fait alors office de source de synchronisation et pilote les appareils qui lui sont asservis. La fréquence Wordclock correspond toujours à la fréquence d'échantillonnage sélectionnée.

Dans un système numérique audio, un appareil fait office de source de synchronisation et pilote les appareils qui lui sont asservis. Si la DS2416 est le seul appareil numérique audio de votre système, il est inutile de vous préoccuper de synchronisation Wordclock; la DS2416 utilise alors son horloge interne. Par contre, si vous ajoutez un DAT ou un multipiste numérique, vous devez choisir un appareil maître et y asservir les autres. Il peut arriver que vous deviez changer ces réglages Wordclock lorsque vous enregistrez à partir d'un DAT ou d'un lecteur CD, par exemple.

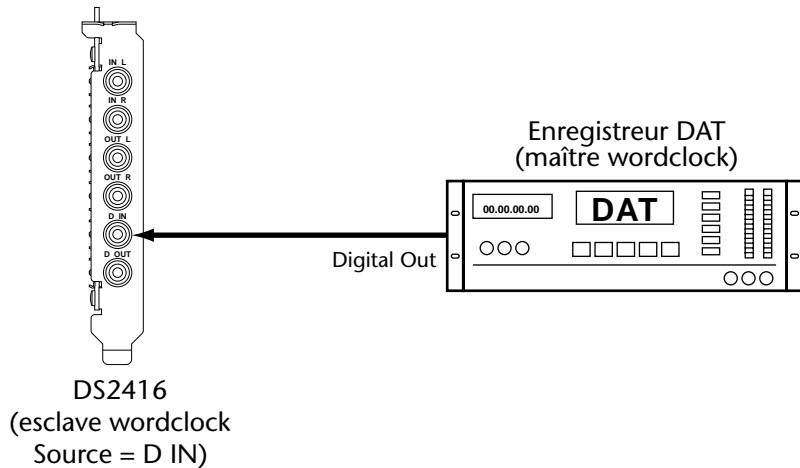
Le signal Wordclock a la même fréquence que la fréquence d'échantillonnage. La DS2416 génère sa propre horloge Wordclock à 44.1 kHz (la norme industrielle pour les fréquences d'échantillonnage des CD musicaux) ou 48 kHz; celle-ci peut servir de source de synchronisation maître ou peut être asservie à un signal Wordclock externe dont la fréquence peut être comprise entre 30.08 kHz et 50.88 kHz (32 kHz -6% à 48 kHz +6%). La conversion de la fréquence d'échantillonnage de données audio est un processus compliqué. Il vaut donc mieux se servir de la fréquence 44.1 kHz surtout si le produit de votre travail est destiné à la distribution sur CD.

Les signaux Wordclock peuvent être transmis par câbles dédiés ou avec les connexions standard numériques audio, telles que les connexions D IN et D OUT de la DS2416. Les connexions audio numériques Coaxial transmettent un signal Wordclock même lorsqu'il n'y a pas de données audio. La DS2416 peut aussi transmettre et recevoir des signaux wordclock via ses connecteurs SI, SO, IO-A et IO-B.

Lorsque tous les appareils d'un système se servent de la même source de synchronisation, ils doivent tous être mis sous tension, même si vous ne les utilisez pas. Commencez toujours par mettre l'appareil maître sous tension puis les appareils asservis. Lors de mise hors tension, inversez l'ordre: les éléments asservis d'abord, puis l'appareil maître. Avant une session d'enregistrement importante, assurez-vous que tous les appareils sont bien synchronisés sur l'appareil maître. En général, les appareils numériques sont pourvus d'un témoin ou d'un affichage qui indique s'ils sont pilotés par une source interne ou externe. Consultez le manuel des divers appareils pour en savoir davantage.

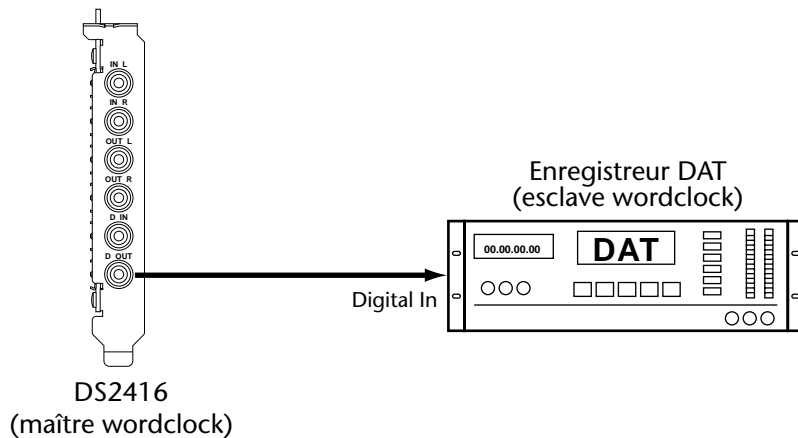
## Enregistrement numérique sur la DS2416

Dans cet exemple, un enregistreur DAT est branché à la borne D IN de la DS2416 pour un enregistrement numérique. La DS2416 est l'élément asservi et tire son signal wordclock de la connexion D IN tandis que le DAT est l'élément maître.



## Enregistrement numérique sur DAT

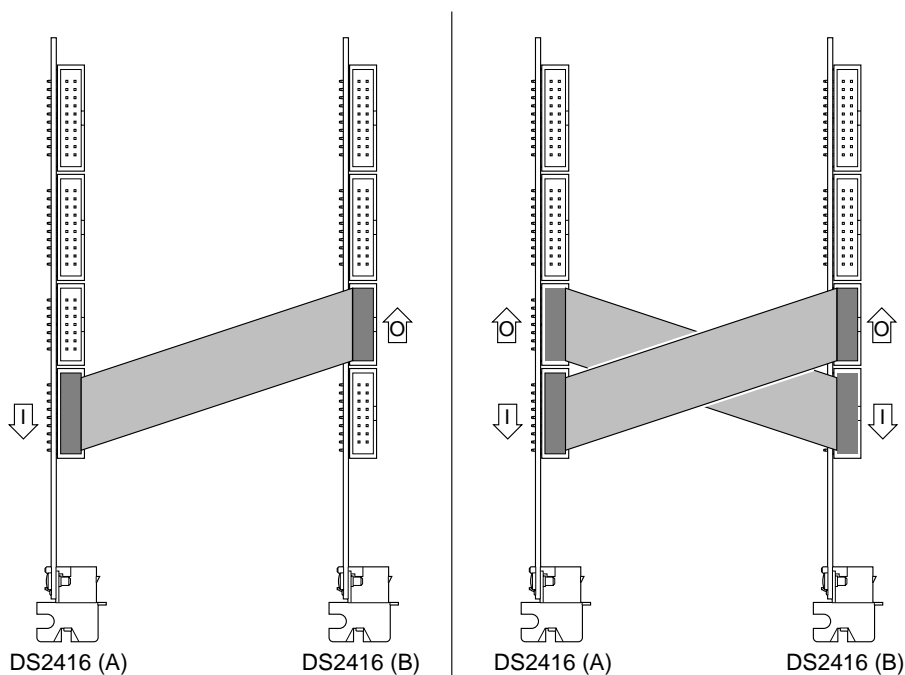
Dans cet exemple, le connecteur D OUT de la DS2416 est branché à l'entrée numérique d'un enregistreur DAT. La DS2416 fait office de source Wordclock tandis que le DAT constitue l'élément asservi. Lorsque l'entrée numérique du DAT est sélectionnée comme source d'enregistrement, le DAT se synchronise automatiquement sur le signal wordclock venant de la DS2416. Sur certains enregistreurs DAT, il faut parfois régler la source wordclock séparément. Voyez les instructions fournies avec votre enregistreur DAT.



## Cascade numérique de cartes DS2416

Les connecteurs numériques “SI” et “SO” vous permettent de brancher deux cartes DS2416 en cascade numérique afin de pouvoir travailler avec 48 canaux.

- 1 Installez la seconde DS2416 dans un connecteur PCI se trouvant à côté de la première DS2416, comme expliqué plus haut.
- 2 Utilisez les câbles 14/16 broches fournis pour relier les connecteurs “SI” et “SO” comme indiqué ci-dessous.



Ici, les bus des DS2416 (A) et (B) sont reliés pour un mixage sur 48 canaux. Les bus individuels de la DS2416 (B) peuvent aussi être envoyés aux entrées secondaires de la DS2416 (A).

Ici, les bus des DS2416 (A) et (B) sont reliés pour un mixage sur 48 canaux. Les bus individuels de chaque DS2416 peuvent être envoyés à l'autre DS2416.

- 3 Refermez le boîtier de l'ordinateur.

## DS2416 Q&R (questions & réponses)

**Q** Qu'est-ce qu'un DSP?

**R** Un DSP, ou processeur de signaux numériques (Digital Signal Processor), est un processeur optimisé pour le traitement des données numériques en temps réel. La DS2416 contient les mêmes DSP que les consoles de mixage numériques 02R et 03D et que les processeurs d'effets ProR3 et REV500 de Yamaha.

**Q** Quelle est la longueur de mot pour le traitement de données numériques audio?

**R** L'égaliseur offre un acheminement des données de 44 bits, un coefficient de 32 bits et un accumulateur de 54 bits. Toutes les autres sections du mélangeur disposent d'un acheminement des données de 32 bits, d'un coefficient de 24 bits et d'un accumulateur de 42 bits.

**Q** La DS2416 dispose-t-elle d'une mémoire intégrée?

**R** Oui, de 3 Mo; elle sert pour l'entrée et les retards d'effet.

**Q** Quel est le temps d'enregistrement disponible?

**R** Cela dépend du logiciel utilisé, de la longueur de mot choisie et de l'espace disponible sur le disque dur. En général, deux canaux de données audio numériques de 16 bits nécessitent 10,6 Mo/min.

**Q** Comment synchroniser la DS2416 sur MIDI Clock, MTC ou SMPTE?

**R** Si le logiciel et l'interface de code temporel acceptent un code temporel externe, la DS2416 l'accepte aussi.

**Q** Est-il possible de piloter les fonctions Mixer de la DS2416 via MIDI?

**R** Si le logiciel de contrôle le permet, oui.

**Q** Quelle est la qualité des processeurs d'effet internes?

**R** Aussi bonne que celle des processeurs d'effets Yamaha ProR3 et REV500.

**Q** Est-il possible d'utiliser la DS2416 avec une carte Sound Blaster ou Korg 1212 I/O?

**R** Oui.

## Dépannage

Problème	Conseil
La DS2416 ne fonctionne pas.	Assurez-vous que la DS2416 est insérée convenablement dans le connecteur PCI.
	Vérifiez l'assignation des entrées et sorties de la DS2416 par le logiciel de contrôle.
	Dans des ordinateurs plus anciens, certains connecteurs PCI peuvent ne pas fonctionner en tant que bus maître. La DS2416 ne fonctionne pas dans de tels connecteurs. Voyez le manuel de votre ordinateur pour en savoir plus.
	Certaines cartes PCI peuvent entrer en conflit avec la DS2416. Essayez d'y remédier en enlevant certaines cartes ou en choisissant un autre connecteur pour la DS2416.
Un bourdonnement de bas niveau est audible.	La DS2416 est mise à la masse via la vis de fixation de la carte d'extension. Il faut donc veiller à la serrer convenablement.

## Programmes d'effets

La DS2416 propose les programmes d'effet suivants. Vous trouverez une description détaillée des paramètres d'effet à la page 149.

### Effets de type réverbération

Type	Description
<b>REVERB HALL</b>	Réverbération simulant un grand espace, tel une salle de concert.
<b>REVERB ROOM</b>	Réverbération simulant l'acoustique d'un espace plus restreint que REVERB HALL.
<b>REVERB STAGE</b>	Réverbération conçue plus particulièrement pour le chant.
<b>REVERB PLATE</b>	Simulation de l'effet produit par une plaque de réverbération métallique, une réverbération plus dure.
<b>EARLY REF.</b>	Isole les premières réflexions (ER) de la réverbération et produit un effet plus brillant que la réverbération.
<b>GATE REVERB</b>	Type d'effet ER conçu pour une réverbération à coupure abrupte.
<b>REVERSE GATE</b>	Type d'effet ER inversé.

### Delays (retards)

Type	Description
<b>MONO DELAY</b>	Delay mono simple. Recommandé lorsque vous n'avez pas besoin de réglages complexes de paramètres.
<b>STEREO DELAY</b>	Delay stéréo avec canaux gauche et droit indépendants.
<b>MOD.DELAY</b>	Delay mono avec modulation.
<b>DELAY LCR</b>	Delay à trois temps (L (gauche), C (centre), R (droite)).
<b>ECHO</b>	Delay stéréo avec paramètres supplémentaires permettant un contrôle plus précis. Le signal peut être renvoyé de la gauche vers la droite et de la droite vers la gauche.

## Effets de type modulation

Type	Description
<b>CHORUS</b>	Chorus stéréo à trois phases.
<b>FLANGE</b>	Le fameux effet Flange.
<b>SYMPHONIC</b>	Effet breveté par Yamaha qui produit une modulation plus riche et plus complexe qu'un Chorus.
<b>PHASER</b>	Phaser stéréo avec de 2 à 16 étapes de décalage.
<b>AUTO PAN</b>	Cet effet déplace le son de manière cyclique entre la gauche et la droite.
<b>TREMOLO</b>	Trémolo
<b>HQ.PITCH (Effect 2 uniquement)</b>	Seule une note est décalée en hauteur tout en produisant un effet stable.
<b>DUAL PITCH</b>	Décalage de hauteur stéréo avec réglage indépendant des hauteurs gauche et droite.
<b>ROTARY</b>	Simulation d'un haut-parleur rotatif.
<b>RING MOD.</b>	Effet modifiant la hauteur en modulant l'amplitude de la fréquence d'entrée.
<b>MOD.FILTER</b>	Cet effet se sert d'un LFO pour moduler la fréquence du filtre.

## Effets de guitare

Type	Description
<b>DISTORTION</b>	Distorsion
<b>AMP SIMULATE</b>	Simule un ampli de guitare

## Effets dynamiques

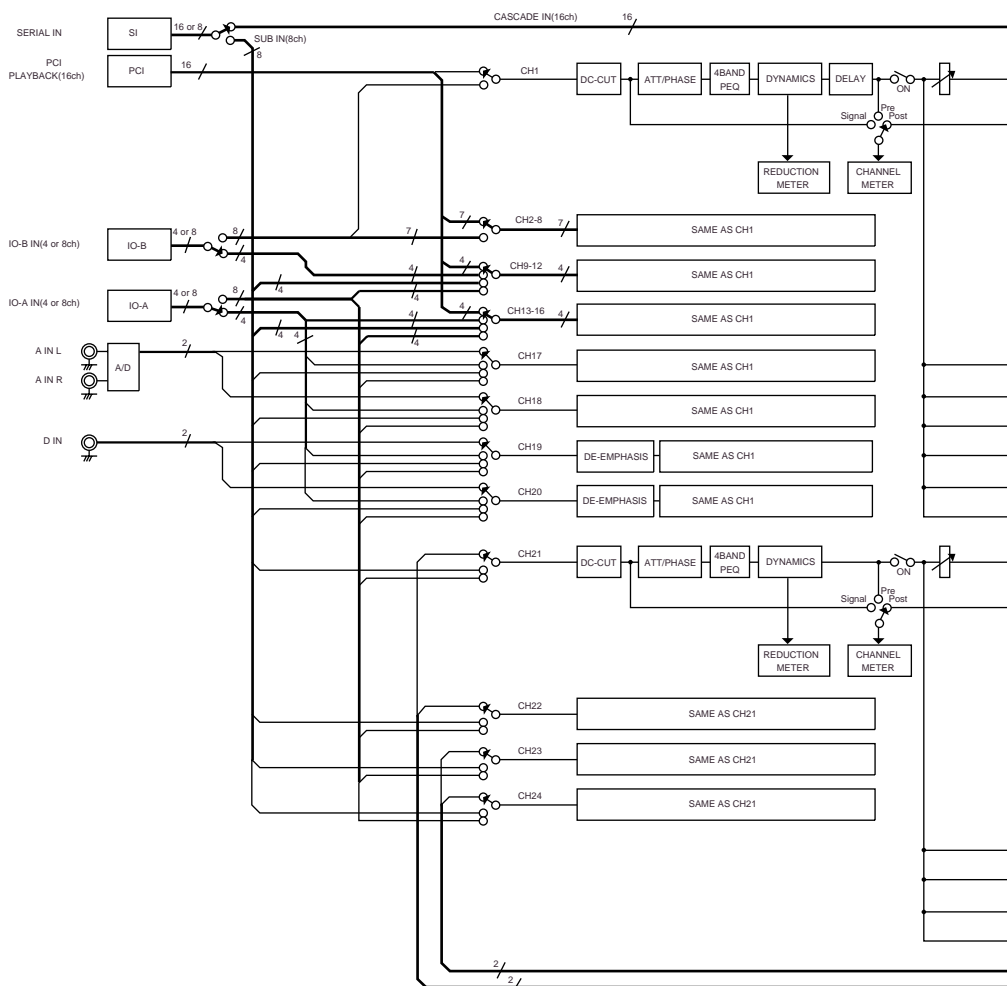
Type	Description
<b>DYNA.FILTER</b>	Filtre contrôlé dynamiquement.
<b>DYNA.FLANGE</b>	Flange contrôlé dynamiquement.
<b>DYNA.PHASER</b>	Phase Shifter contrôlé dynamiquement.

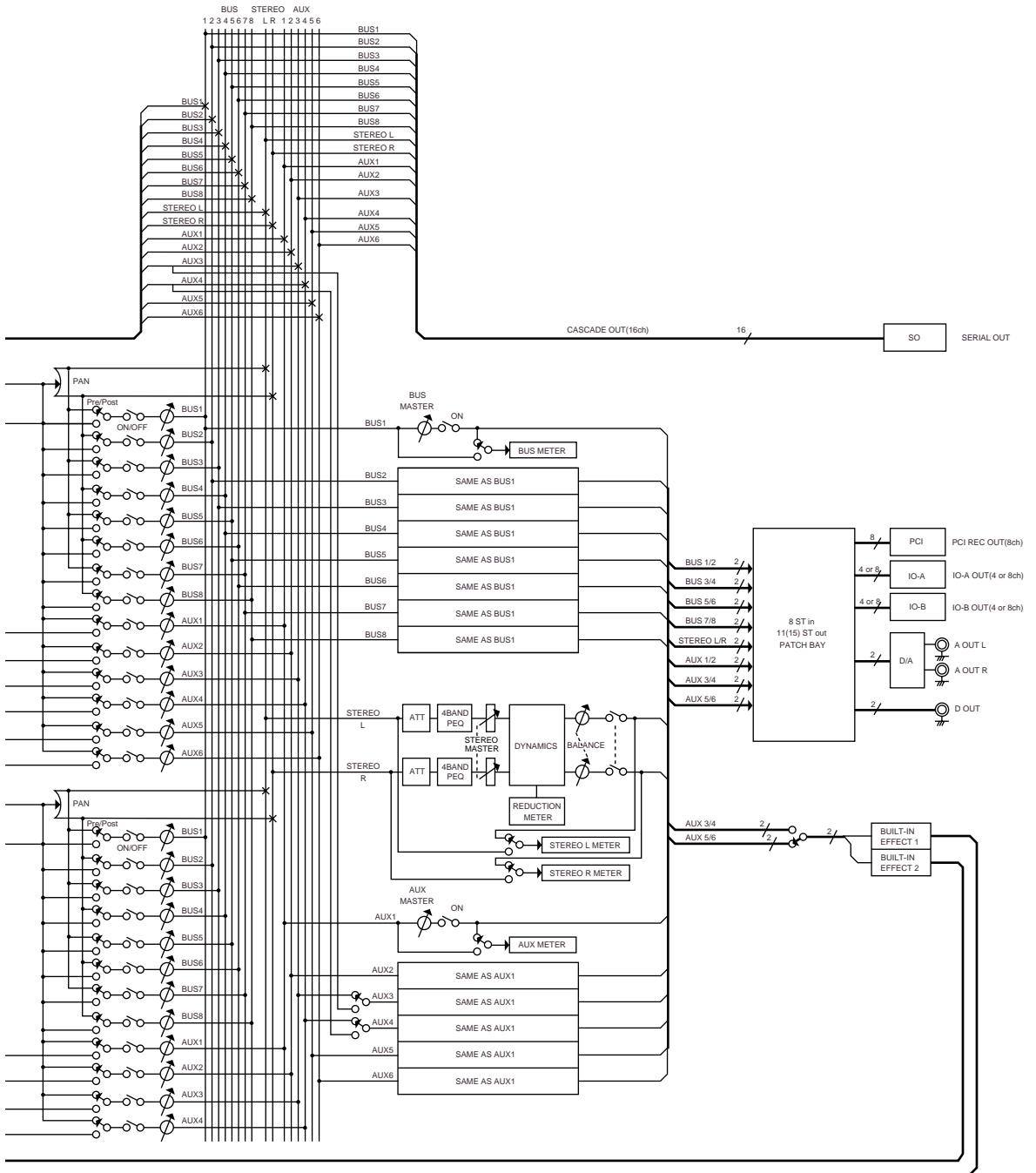
**Effets combinés**

Type	Description
<b>REV+CHORUS</b>	Réverbération et Chorus en parallèle
<b>REV-&gt;CHORUS</b>	Réverbération et Chorus en série
<b>REV+FLANGE</b>	Réverbération et Flange en parallèle
<b>REV-&gt;FLANGE</b>	Réverbération et Flange en série
<b>REV+SYMPHO.</b>	Réverbération et Symphonic en parallèle
<b>REV-&gt;SYMPHO.</b>	Réverbération et Symphonic en série
<b>REV-&gt;PAN</b>	Réverbération et Auto-pan en parallèle
<b>DELAY+ER.</b>	Delay et Early reflections en parallèle
<b>DELAY-&gt;ER.</b>	Delay et Early reflections en série
<b>DELAY+REV</b>	Delay et réverbération en parallèle
<b>DELAY-&gt;REV</b>	Delay et réverbération en série
<b>DIST-&gt;DELAY</b>	Distortion et Delay en série



# Schéma





## Fiche technique

### Caractéristiques générales

Fréquence d'échantillonnage	Interne	44,1 kHz, 48 kHz
	Interne Vari-Pitch	41,45 à 50,88 kHz <sup>1</sup>
	Externe	30,08 à 50,88 kHz <sup>2</sup>
Retard de signal (fs = 48 kHz)	A/N	620 µs typique
	N/A	310 µs typique
Distorsion harmonique totale <sup>3</sup> (fs = 48 kHz, +6 dBV, entrée vers sortie anal.)		Moins de 0,02% (20 Hz à 20 kHz)
Bande passante (fs = 48 kHz, +6 dBV, entrée vers sortie anal.)		20 Hz à 20 kHz, -3, +1 dB
Plage dynamique <sup>4</sup> (fs = 48 kHz)	N/A	Typiquement 94 dB
	A/N + N/A	Typiquement 93 dB
Bruit de sortie résiduel <sup>4</sup> (entrée N/A = digital 0)		Typiquement -88 dBV
Entrée	IN L, IN R	Suréchantillonnage A/N 20 bits à 128 fois
	D IN	Format Consumer (Coaxial)
Sortie	OUT L, OUT R	Suréchantillonnage N/A 20 bits à 8 fois
	D OUT	Format Consumer (Coaxial)
Effets (type HQ. Pitch pour Effect 2 uniquement)	Effect 1	39 types
	Effect 2	40 types
Alimentation		+5 V (1,5 A max) +12 V (150 mA max)
Consommation maximum		9,3 W
Température	Fonctionnement	+10 à +40°C
	Stockage	-20 à +55°C
Dimensions (H x L x P)		125,92 x 187,95 x 21,59 mm (4,95 x 7,4 x 0,85 po) PCI Raw Variable Height Short Card (5 V, 32 bits)
Poids		170 g (6 oz)
Accessoires fournis		Disquette avec pilote
		Câble 14/16 broches de 100 mm x1

1. 44,1 kHz ±6%, 48 kHz ±6%
2. 32 KHz -6% à 48 kHz +6%
3. Filtre de largeur de bande ±0,1 dB (20 Hz à 20 kHz), -60 dB (plus de 24,1 kHz)
4. Filtre de largeur de bande comme ci-dessus plus filtre de pondération (IEC60651 A curve, Tolerance: Type 0)

## Canaux d'entrée

De-emphasis (CH19, CH20)		Automatiquement utilisé si besoin est
DC Cut		Automatiquement utilisé si besoin est
ATT		De -96 à +12 dB (109 étapes)
Phase		Normale/inversée
Egalisation à 4 bandes (12 types d'égalisation par bande)	Fréquence	20 Hz à 20 kHz (120 pas, 12 points/octave)
	Gain	-18 à +18 dB (73 pas, 0,5 dB/pas)
	Q	0,1 à 10,0 (41 pas)
Dynamique (6 types)	Threshold	-54 à 0 dB (55 pas, 1,0 dB/pas)
	Attack	0 à 120 ms (121 pas, 1 ms/pas)
	Gain	0 à 18 dB (37 pas, 0,5 dB/pas)
	Release	5 ms à 42,3 s, fs = 48,0 kHz (160 pas) 6 ms à 46,0 s, fs = 44,1 kHz (160 pas)
	Ratio	1,0 à l'infini (16 pas)
	Knee	Hard, 1, 2, 3, 4, 5 (6 pas)
	Range	-70 à 0 dB (71 pas, 1,0 dB/pas)
	Hold	0,02 ms à 1,96 s, fs = 48,0 kHz (216 pas) 0,02 ms à 2,13 s, fs = 44,1 kHz (216 pas)
	Decay	5 ms à 42,3 s, fs = 48,0 kHz (160 pas) 6 ms à 46,0 s, fs = 44,1 kHz (160 pas)
	Width	1 à 90 (90 pas, 1,0 dB/pas)
	Mgain	-18 à 0 dB (37 pas, 0,5 dB/pas)
Indicateur de réduction	-18 à 0 dB (12 pas)	
Delay (Can.1 à Can.20)		0 à 2600 échantillons (2601 pas) On/Off
On/Off		
Curseur		-Infini, -90 à +10 dB (128 pas)
Pan		33 pas
VU-mètres		-72 à 0 dB (32 pas)
		Pre/Post/Signal
		Peak Hold (maintien de crête)
		Decay Fast/Slow
Envoi de bus	Level	-Infini, -120 à 0 dB (128 pas)
	Pre/Post	(Avant pan/après pan)
	On/Off	
Envoi Aux	Level	-Infini, -120 à 0 dB (128 pas)
	Pre/Post	(avant curseur/après curseur)
	On/Off	

## Sorties Bus Outs 1–8

Curseur master de bus	–Infini, –120 à 0 dB (128 pas)
On/Off	
VU-mètre de bus	–72 à 0 dB (32 pas)
	Avant/après curseur
	Peak Hold (maintien de crête)
	Decay Fast/Slow

## Envois Aux 1–6

Curseur master Aux	–Infini, –120 à 0 dB (128 pas)
On/Off	
VU-mètre Aux	–72 à 0 dB (32 pas)
	Avant/après curseur
	Peak Hold (maintien de crête)
	Decay Fast/Slow

## Sortie stéréo

ATT		–96 à +12 dB (109 pas)
Égalisation à 4 bandes (12 types d'égalisation par bande)	Fréquence	20 Hz à 20 kHz (120 pas, 12 points/octave)
	Gain	–18 à +18 dB (73 pas, 0,5 dB/pas)
	Q	0,1 à 10,0 (41 pas)
Curseur master stéréo		–Infini, –120 à 0 dB (128 pas)
Dynamique (6 types)	Threshold	–54 à 0 dB (55 pas, 1,0 dB/pas)
	Attack	0 à 120 ms (121 pas, 1 ms/pas)
	Gain	0 à 18 dB (37 pas, 0,5 dB/pas)
	Release	5 ms à 42,3 s, fs = 48,0 kHz (160 pas) 6 ms à 46,0 s, fs = 44,1 kHz (160 pas)
	Ratio	1,0 à l'infini (16 pas)
	Knee	Hard, 1, 2, 3, 4, 5 (6 pas)
	Range	–70 à 0 dB (71 pas, 1,0 dB/pas)
	Hold	0,02 ms à 1,96 s, fs = 48,0 kHz (216 pas) 0,02 ms à 2,13 s, fs = 44,1 kHz (216 pas)
	Decay	5 ms à 42,3 s, fs = 48,0 kHz (160 pas) 6 ms à 46,0 s, fs = 44,1 kHz (160 pas)
	Width	1 à 90 (90 pas, 1,0 dB/pas)
	Mgain	–18 à 0 dB (37 pas, 0,5 dB/pas)
Indicateur de réduction		–18 à 0 dB (12 pas)
Balance		33 pas

VU-mètre stéréo	-72 à 0 dB (32 pas)
	Avant/après curseur
	Peak Hold (maintien de crête)
	Decay Fast/Slow

## Multiconnecteur d'entrée

Entrée	Source sélectionnable
CH1	PCI PB1, IO-B2-1
CH2	PCI PB2, IO-B2-2
CH3	PCI PB3, IO-B2-3
CH4	PCI PB4, IO-B2-4
CH5	PCI PB5, IO-B2-5
CH6	PCI PB6, IO-B2-6
CH7	PCI PB7, IO-B2-7
CH8	PCI PB8, IO-B2-8
CH9	PCI PB9, IO-B1-1, SUB IN1, IO-A2-1
CH10	PCI PB10, IO-B1-2, SUB IN2, IO-A2-2
CH11	PCI PB11, IO-B1-3, SUB IN3, IO-A2-3
CH12	PCI PB12, IO-B1-4, SUB IN4, IO-A2-4
CH13	PCI PB13, IO-A1-1, SUB IN5, IO-A2-5
CH14	PCI PB14, IO-A1-2, SUB IN6, IO-A2-6
CH15	PCI PB15, IO-A1-3, SUB IN7, IO-A2-7
CH16	PCI PB16, IO-A1-4, SUB IN8, IO-A2-8
CH17	IN L, IO-A1-1, SUB IN1, IO-A2-1
CH18	IN R, IO-A1-2, SUB IN2, IO-A2-2
CH19	DIN L, IO-A1-3, SUB IN3, IO-A2-3
CH20	DIN R, IO-A1-4, SUB IN4, IO-A2-4
CH21	Effect1 Return L, SUB IN5, IO-A2-5
CH22	Effect1 Return R, SUB IN6, IO-A2-6
CH23	Effect2 Return L, SUB IN7, IO-A2-7
CH24	Effect2 Return R, SUB IN8, IO-A2-8

PCI PB: données wave, etc., reproduction

IO-A1: appareil 4 entrées/4 sorties branché à IO-A

IO-A2: appareil 8 entrées/8 sorties branché à IO-A

IO-B1: appareil 4 entrées/4 sorties branché à IO-B

IO-B2: appareil 8 entrées/8 sorties branché à IO-B

## Multiconnecteur de sortie

Les sources 1 à 8 peuvent être acheminées vers n'importe quelle destination.

Source	Destination
1: BUS 1, 2	1: REC 1, 2
2: BUS 3, 4	2: REC 3, 4
3: BUS 5, 6	3: REC 5, 6
4: BUS 7, 8	4: REC 7, 8
5: AUX 1, 2	5: IO-A1-1, 2 (IO-A2-1, 2)
6: AUX 3, 4	6: IO-A1-3, 4 (IO-A2-3, 4)
7: AUX 5, 6	7: IO-B1-1, 2 (IO-B2-1, 2)
8: STL, STR	8: IO-B1-3, 4 (IO-B2-3, 4)
	9: AOUTL, AOUTR
	10: DOUTL, DOUTR
	11: IO-A2-5, 6
	12: IO-A2-7, 8
	13: IO-B2-5, 6
	14: IO-B2-7, 8

IO-A1: appareil 4 entrées/4 sorties branché à IO-A

IO-A2: appareil 8 entrées/8 sorties branché à IO-A

IO-B1: appareil 4 entrées/4 sorties branché à IO-B

IO-B2: appareil 8 entrées/8 sorties branché à IO-B

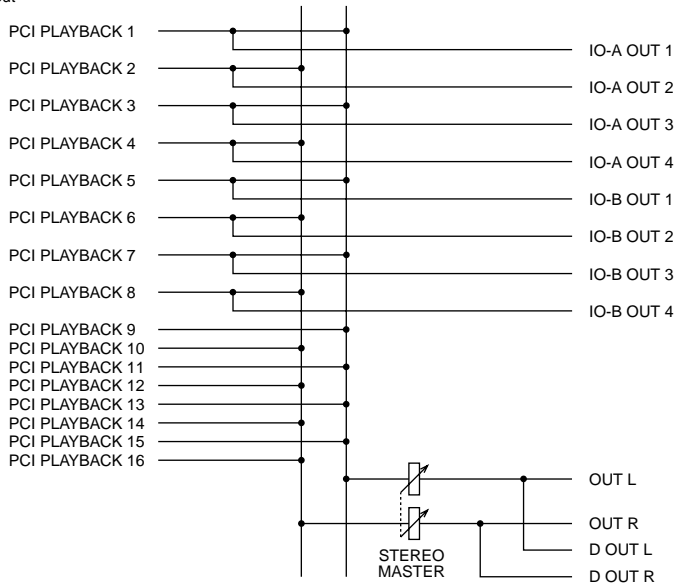
## Schéma de multiconnecteur fixe

Lorsque le logiciel audio n'est pas compatible avec le mélangeur de la DS2416, les assignations entrée/sortie sont fixes.

### Input



### Output





## Entrées analogiques

Connexion	Impédance de charge effective	Niveau nominal	Niveau d'entrée		Connecteur
			Nominal	Max. av. distorsion	
IN L, IN R <sup>1</sup>	10k Ω	600 Ω ligne	-10 dBV <sup>2</sup> (316 mV)	+6 dBV (1,995 V)	Jack RCA/Cinch (asymétrique)

1. Les entrées ont des convertisseurs A/N linéaires avec suréchantillonnage 20 bits à 128 fois.
2. Lorsque dBV représente une tension spécifique, 0 dBV est référencé à 1 V rms.

## Sorties analogiques

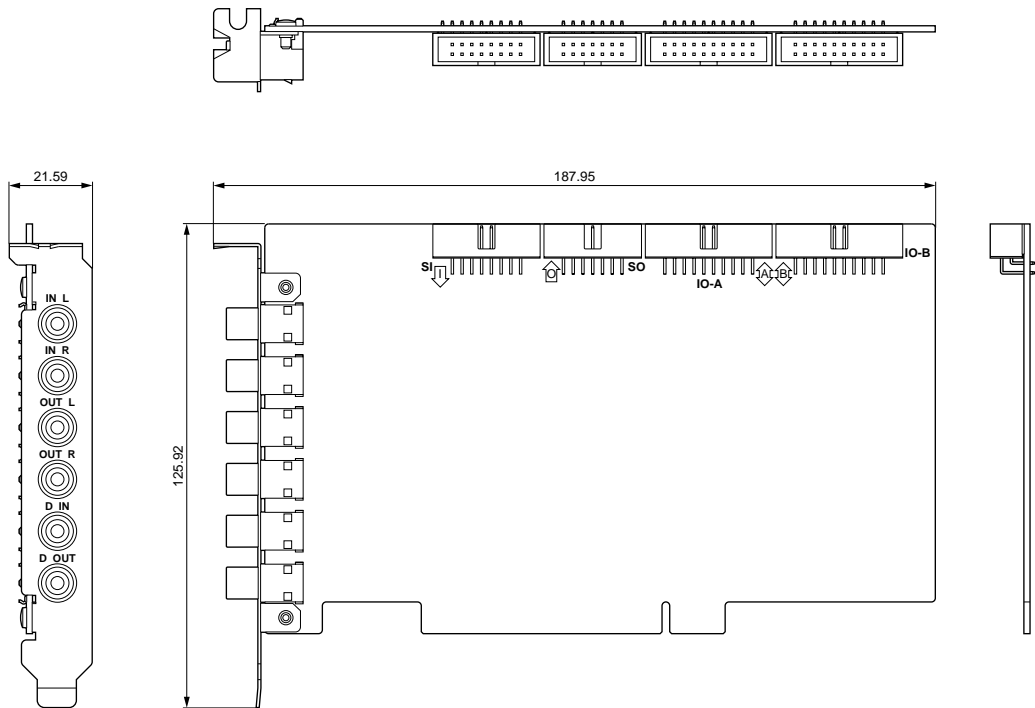
Connexion	Impédance de source effective	Niveau nominal	Niveau de sortie		Connecteur
			Nominal	Max. av. distorsion	
OUT L, OUT R <sup>1</sup>	600 Ω	10k Ω ligne	-10 dBV <sup>2</sup> (316 mV)	+6 dBV (1,995 V)	Jack RCA/Cinch (asymétrique)

1. Les sorties ont des convertisseurs N/A linéaires avec suréchantillonnage 20 bits à 8 fois.
2. Lorsque dBV représente une tension spécifique, 0 dBV est référencé à 1 V rms.

## Digital I/O (entrées/sorties numériques)

Connexion	I/O	Format	Niveau	Connecteur
D IN	I	IEC60958 Consumer	0,5 Vpp, 75 Ω	Jack RCA/Cinch (asymétrique)
D OUT	O	IEC60958 Consumer	0,5 Vpp, 75 Ω	Jack RCA/Cinch (asymétrique)
IO-A, IO-B	I/O	Entrées audio numériques 4 canaux ou 8 canaux Sorties audio numériques 4 canaux ou 8 canaux 32 bits max/canal Le format dépend de la contre-partie	5 V CMOS	Connecteur à 20 broches
SERIAL IN	I	Entrées audio numériques 8 canaux ou 16 canaux 32 bits max/canal Le format dépend de la contre-partie	5 V CMOS	Connecteur à 16 broches
SERIAL OUT	O	Sorties audio numériques 8 canaux ou 16 canaux 32 bits max/canal Le format dépend de la contre-partie	5 V CMOS	Connecteur à 14 broches

## Dimensions



Unité: mm

Caractéristiques susceptibles d'être modifiées sans avis préalable.



# DS2416

## DIGITAL MIXING CARD



---

Bedienungsanleitung

---

Deutsch

---

## Inhalt

<b>Vorweg</b> .....	<b>62</b>
Yamaha DSP Factory .....	62
Wichtiger Hinweis .....	62
Systemanforderungen .....	63
Hinweise bezüglich des Systems .....	63
Kompatible Programme .....	63
<b>Features</b> .....	<b>65</b>
Allgemein .....	65
Mischsektion .....	65
Aufnahmeteil .....	65
<b>Anschlüsse</b> .....	<b>66</b>
Rückseite .....	66
Intern .....	67
<b>Installieren der DS2416</b> .....	<b>68</b>
<b>Testen der DS2416</b> <b>69</b>	
Installieren des Testprogramms .....	69
Einsatz des Testprogramms .....	69
<b>Wordclock</b> .....	<b>70</b>
Digital-Aufnahmen mit der DS2416 .....	71
Digital-Überspielung zu einem DAT-Recorder .....	71
<b>Digital-Kaskade zweier DS2416-Karten</b> .....	<b>72</b>
<b>Fragen Sie Dr. DS2416</b> .....	<b>73</b>
<b>Fehlersuche</b> .....	<b>74</b>
<b>Effektprogramme</b> .....	<b>75</b>
<b>Blockschaltbild</b> .....	<b>78</b>
<b>Spezifikationen</b> .....	<b>80</b>
<b>Effects Parameters</b> .....	<b>149</b>

---

## Wichtige Hinweise

- Legen Sie die DS2416 niemals in die pralle Sonne bzw. an einen extrem warmen, staubigen oder feuchten Ort.
- Holen Sie die DS2416 erst aus der antistatischen Verpackung, wenn Sie sie tatsächlich einbauen möchten.
- Um Beschädigungen während des Einbaus zu vermeiden, sollten Sie die DS2416 nur an den Rändern bzw. der Einschubblende festhalten.
- Wenn Sie aus Versehen die Anschlußleiste berühren, sollten Sie Fingerabdrücke usw. sofort mit einem trockenen Tuch entfernen.
- Stellen Sie keine Gegenstände auf die DS2416 und legen Sie sie niemals an einen Ort, an dem die Gefahr besteht, daß jemand etwas auf die Karte legt.
- Vor Öffnen des Computers sollten Sie ihn ausschalten und den Netzanschluß lösen.
- Um statische Entladungen zu vermeiden, sollten Sie ein geerdetes Stück Metall Ihres Computers, z.B. die Stromversorgungsblende, anfassen, bevor Sie die DS2416 aus der Verpackung holen.

## Lieferumfang

- DS2416 Digital-Mischkarte
- Diskette mit dem Treiber sowie einem Testprogramm
- 14-Pin→16-Pin-Kabel
- Diese Bedienungsanleitung

## Warenzeichen

IBM PC ist ein eingetragenes Warenzeichen von International Business Machines. Korg ist ein Warenzeichen der Korg, Inc. Pentium ist ein eingetragenes Warenzeichen von Intel. Sound Blaster ist ein eingetragenes Warenzeichen von Advanced WavEffects. Windows 95 ist ein Warenzeichen von Microsoft. Yamaha ist ein Warenzeichen der Yamaha Corporation. Alle anderen Warenzeichen sind Eigentum der betreffenden Firmen und werden ausdrücklich anerkannt.

## Copyright

Die *Bedienungsanleitung* der DS2416 darf ohne die ausdrückliche schriftliche Genehmigung der Yamaha Corporation, Inc. weder auszugsweise noch vollständig vervielfältigt werden, ganz gleich, auf welche Art dies geschieht.

© 1998 Yamaha Corporation. Alle Rechte vorbehalten.

**Bewahren Sie diese Anleitung an einem sicheren Ort auf!**

## Vorweg

Vielen Dank, daß Sie sich für die Digital-Mischkarte DS2416 von Yamaha entschieden haben. Mit dieser Karte können Sie simultan auf 8 Spuren aufnehmen, 16 Spuren gleichzeitig wiedergeben sowie 24 Kanäle abmischen. Die Karte bietet eine parametrische 4-Band-Klangregelung, Effekte und Dynamikprozessoren, so daß Sie Ihren PC zum einem kompletten Digitale-Aufnahmestudio umfunktionieren können. Im Gegensatz zu anderen Audiokarten bietet die DS2416 fünf DSPs, so daß der Hauptprozessor Ihres PC für andere Aufgaben, z.B. die Synchronisation, verwendet werden kann. Die DS2416 kümmert sich nämlich um die hochwertigen Effekte, die Klangregelung (EQ) sowie die Dynamikbearbeitung. In bestimmten Fällen können die Prozessoren der DS2416 sogar zum Erweitern der Spuranzahl bestimmter Audioprogramme verwendet werden.

Aus Gründen der Anwenderfreundlichkeit und der Datentransfer-Geschwindigkeit verwendet die DS2416 den inzwischen "amtlichen" PCI-Bus (*Peripheral Component Interconnect*). Soundkarten können digital mit der DS2416 verbunden werden. Außerdem besteht die Möglichkeit, zwei DS2416-Karten einzubauen, so daß Sie über 48 Mischkanäle verfügen. Die DS2416 bietet 2 analoge Ein- und Ausgänge (20-Bit-A/D-Wandlern mit 128fachem Oversampling bzw. 20-Bit-D/A mit 8fachem Oversampling) sowie einen digitalen Stereo-Koaxein- und -ausgang. Es können zwei AX44s Audio-Erweiterungen angeschlossen werden, so daß Sie insgesamt über 8 analoge Ein- und Ausgänge verfügen.

### Yamaha DSP Factory

Die Digital-Mischkarte DS2416 bildet das Herzstück von Yamahas DSP Factory-System, einer Produktgruppe für professionelle Digital-Mehrspuranwendungen am PC. Zu den weiteren Geräten dieser Produktgruppe gehören die Audio-Erweiterung AX44 sowie mehrere digitale Mehrkanal-Eingangs/Ausgangs-Lösungen, die demnächst vorgestellt werden.

Alle aktuellen Informationen hierzu finden Sie auf der Yamaha Professional Audio-Website unter:

<<http://www.yamaha.co.jp/product/proaudio/homeenglish/>>.

### Wichtiger Hinweis

Welche Funktionen der DS2416 genau belegt sind, richtet sich nach dem verwendeten Audioprogramm.

## Systemanforderungen

- IBM PC oder kompatibler Rechner mit PCI-Bus und Windows 95
- DS2416-kompatibles Audioprogramm

## Hinweise bezüglich des Systems

Die DS2416 funktioniert mit jedem beliebigen PC, sofern dieser über einen PCI-Bus verfügt und mit Windows 95 betrieben wird. Für die DS2416 brauchen Sie einen einfachen 5V PCI-Anschluß. 3.3V PCI-Anschlüsse können nicht verwendet werden. Die DS2416 ist kompatibel zu der 2.1-Version des PCI-Standards und benötigt ein IRQ (*Interrupt Request*), aber keine DMA-Adresse (*Direct Memory Access*). Da es sich um eine PCI-Karte handelt, wird das IRQ automatisch eingestellt. Die maximal unterstützte PCI-Busgeschwindigkeit lautet 33MHz.

Der benötigte Prozessortyp, Arbeitsspeicher (RAM) und die Festplattenkapazität richten sich ausschließlich nach dem verwendeten Audioprogramm, weil die DS2416 diese nicht benötigt. Lediglich für den beiliegenden Treiber sollten ein paar Hundert Kilobyte zur Verfügung stehen. An dieser Stelle sei noch einmal erwähnt, daß die DS2416 zwar simultan auf 8 Spuren aufnehmen und 16 Kanäle wiedergeben kann, aber daß sich dies nach dem verwendeten Rechner sowie dem Audioprogramm richtet.

## Kompatible Programme

Für die Aufnahme und Wiedergabe mit der DS2416 kann jedes beliebige Programm verwendet werden, das Windows MME (*Multimedia Extensions*) unterstützt, darunter Windows 95 Media Player. Die Mischfunktionen sind jedoch nur in Programmen verfügbar, die die Mischsektion der DS2416 unterstützen. Anfang April 1998 lag Yamaha eine Liste folgender Programme vor, die die Mischsektion entweder bereits unterstützen oder dies in der nächsten Version tun werden. Bitte erkundigen Sie sich auf folgenden Websites nach dem Stand der Dinge:

- **C-Mexx** <<http://www.c-mexx.com/>>
- **Cakewalk** <<http://www.cakewalk.com/>>
- **Canam Computers** <<http://www.canam-comp.fr/>>
- **Emagic** <<http://www.emagic.de/>>
- **IQS (Innovative Quality Software)** <<http://www.iqsoft.com/>>
- **Musicator** <<http://www.musicator.com/>>
- **SEK'D** <<http://www.sekd.com/CConsole/StudCcons.htm>>
- **Sonic Foundry** <<http://www.sfoundry.com/>>
- **Steinberg** <<http://www.steinberg.de/>>

Auch Audioprogramme, die nicht alle Funktionen der DS2416 unterstützen, können jedoch verwendet werden. Allerdings sollten Sie beachten, daß die

Ein- und Ausgangszuordnung dann fest eingestellt ist (siehe "Patchbay-Diagramm der festen Zuordnungen" auf Seite 85). Mit dem Volume-Regler von Windows 95 können die Master-Lautstärke sowie der Status (an/aus) eingestellt werden. Die Meter zeigen jeweils den Aufnahmepegel an.



## Features

### Allgemein

- PCI-Karte (kompatibel zu Version 2.1).
- Unterstützt Windows 95 MME (Multimedia Extensions).
- Plug & Play-Installation.
- 5 DSPs, die den Hauptprozessor des Computers weitestgehend entlasten.
- 2 Analog-Eingänge mit 20-Bit A/D-Wandlern mit 128fachem Oversampling.
- 2 Analog-Ausgänge mit 20-Bit D/A-Wandlern mit 8fachem Oversampling.
- Digital-Ein- und -Ausgang im Stereo-Koaxformat (20 bzw. 24 Bit).
- Optionale analoge und digitale Mehrkanal-Ein-/Ausgänge.

### Mischsektion

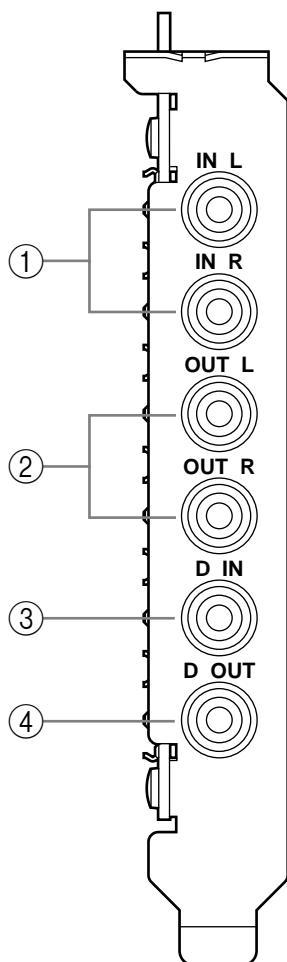
- 24 Eingangskanäle, 8 Bus-Ausgänge, 6 AUX-Hinwege (zwei sind direkt mit den internen Effektprozessoren verbunden) sowie ein Stereo-Ausgang.
- Die Eingangskanäle 21~24 fungieren als Effektrückwege der internen Effektprozessoren.
- Parametrischer 4-Band-EQ auf allen Eingängen sowie dem Stereo-Ausgang.
- Dynamikprozessoren mit Abschwächungsanzeige für alle Eingangskanäle sowie den Stereo-Ausgang.
- Zwei interne Effektprozessoren in bewährter Yamaha ProR3/REV500-Qualität.
- Einstellbare Eingangsverzögerung für die Kanäle 1~20.
- Signalpegelüberwachung für alle Ein- und Ausgänge.
- Kaskadefähig, so daß bei Verwendung zweier DS2416-Karten insgesamt 48 Mischkanäle verfügbar sind.
- Interne Signalverarbeitung im 32-Bit-Format.

### Aufnahmeteil

- Simultanaufnahme auf 8 Spuren.
- Simultanwiedergabe von 16 Spuren.
- Aufnahme und Wiedergabe wahlweise im 32-Bit-Format (je nach dem verwendeten Programm).
- Bis auf das Sample genaue Synchronisation aller Spuren.
- Externe Synchronisation über die verwendete Software.

## Anschlüsse

### Rückseite



#### ① IN L, IN R

Der analoge IN L- und IN R-Anschluß sind als RCA/Cinch-Buchsen mit einem Nenneingangspegel von  $-10\text{dBV}$  ausgeführt. Die Analog/Digital-Wandlung geschieht im 20-Bit-Format mit 128fachem Oversampling. Für ein optimales Ergebnis verwenden Sie am besten nur abgeschirmte Kabel.

#### ② OUT L, OUT R

Der analoge OUT L- und OUT R-Anschluß sind als RCA/Cinch-Buchsen mit einem Nennausgangspegel von  $-10\text{dBV}$  ausgeführt. Die Digital/Analog-Wandlung geschieht im 20-Bit-Format mit 8fachem Oversampling. Für ein optimales Ergebnis verwenden Sie am besten nur abgeschirmte Kabel.

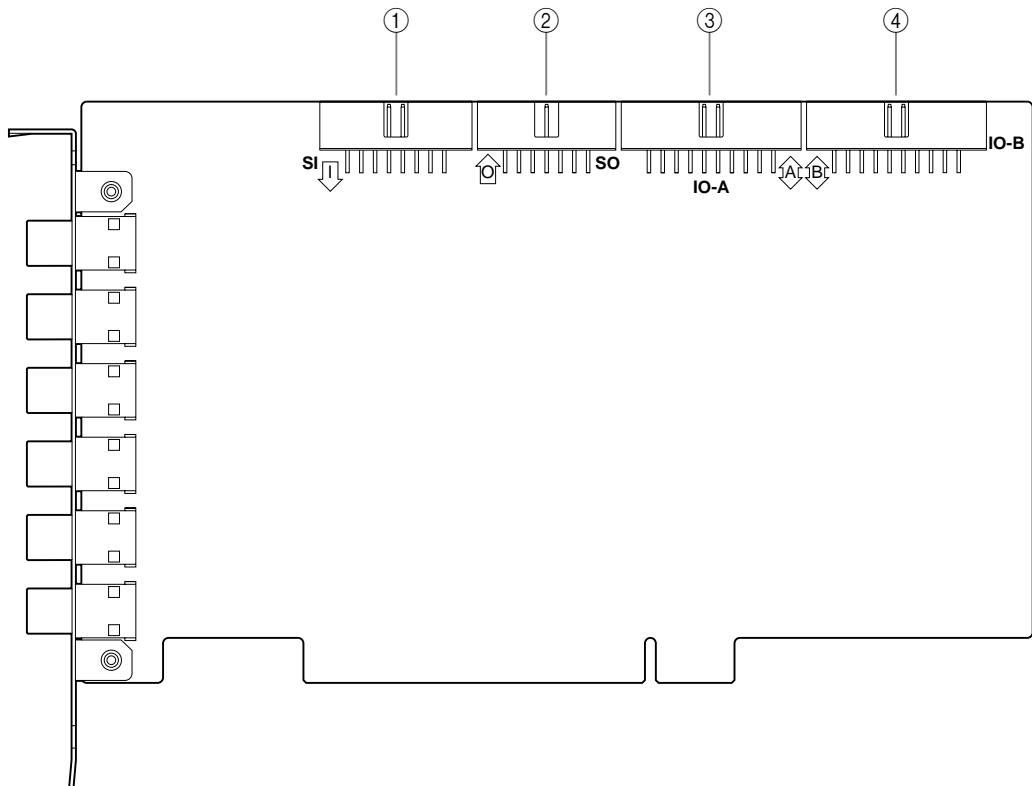
#### ③ D IN

Diese RCA/Cinch-Buchse ist der Stereo-Koaxeingang, an den Digital-Audiosignale mit einer Wortbreite von bis zu 24 Bit angelegt werden können. Verwenden Sie nur Anschlußkabel mit einer Nennimpedanz von  $75\Omega$ .

#### ④ D OUT

Diese RCA/Cinch-Buchse ist als Stereo-Koaxausgang ausgeführt. Hier können Digital-Audiosignale mit einer Wortbreite von bis zu 24 Bit angelegt werden. Verwenden Sie nur Anschlußkabel mit einer Nennimpedanz von  $75\Omega$ .

## Intern

① **SI-Anschluß (Serial In)**

Wenn Sie mit zwei DS2416-Karten arbeiten möchten, müssen Sie diesen Anschluß mit dem SO-Anschluß der anderen Karte verbinden. Verwenden Sie hierfür das beiliegende 14-Pin→16-Pin-Kabel. Soundkarten, die die DS2416 unterstützen, können ebenfalls mit diesem Anschluß verbunden werden. Deren Ausgangssignal wird dann an die Sub-Eingänge der Mischsektion angelegt.

② **SO-Anschluß (Serial Out)**

Wenn Sie mit zwei DS2416-Karten arbeiten möchten, müssen Sie diesen Anschluß über das beiliegende 14-Pin→16-Pin-Kabel mit dem SI-Anschluß der anderen Karte verbinden.

③ **IO-A-Anschluß**

Dieser Anschluß muß mit der ersten AX-44 Audio-Erweiterung verbunden werden.

④ **IO-B connector**

Dieser Anschluß muß mit der zweiten AX-44 Audio-Erweiterung verbunden werden.

## Installieren der DS2416

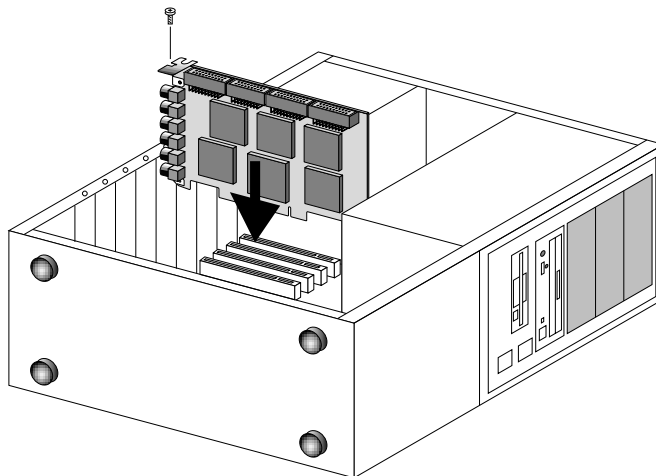
Die DS2416 kann direkt und ohne Drahtbrücken- bzw. Interrupt-Einstellungen mit einem PCI-Slot verbunden werden.

Wie man das macht, entnehmen Sie bitte der Bedienungsanleitung Ihres Rechners.

- 1 Schalten Sie den Computer aus und lösen Sie den Netzanschluß.
- 2 Nehmen Sie die Haube des Computers ab.
- 3 Wählen Sie einen freien PCI-Anschluß und lösen Sie die Schraube seiner Blende.

Um statische Entladungen und eventuelle Schäden an der DS2416 zu vermeiden, sollten Sie vor Auspacken der DS2416 einen geerdeten Metallgegenstand des Rechners, z.B. der Stromversorgungsblende anfassen.

- 4 Halten Sie die DS2416 so, daß Sie sie gerade in den PCI-Anschluß schieben können und drücken Sie sie in den Slot.
- 5 Befestigen Sie die DS2416 mit der Blendenschraube, die Sie vorhin gelöst haben.



*Wichtig: Die DS2416 wird über diese Befestigungsschraube geerdet. Diese muß also unbedingt fest verschraubt werden.*

- 6 Bringen Sie die Haube des Computers wieder an.
- 7 Schalten Sie den Rechner wieder ein.
- 8 Sobald das *Neue Hardware gefunden*-Dialogfenster (*New Hardware Found*) erscheint, wählen Sie *Treiber vom Hersteller auf Diskette* (*Driver from disk provided by hardware manufacturer*) und klicken auf OK.

- 9 Wenn das *Von Diskette installieren*-Dialogfenster (*Install From Disk*) erscheint, legen Sie die beiliegende Diskette in das Laufwerk und klicken auf OK.
- 10 Sobald das *Neustart*-Fenster (*Restart*) erscheint, müssen Sie Ihren Computer neu starten.

## Testen der DS2416

Zum Lieferumfang gehört ein Testprogramm, mit dem Sie kontrollieren können, ob die Karte, der Treiber und die DSPs ordnungsgemäß funktionieren.

### Installieren des Testprogramms

- 1 Legen Sie die beiliegende Diskette in das Laufwerk.
- 2 Doppelklicken Sie auf *Setup.exe* und befolgen Sie auf dem Bildschirm erscheinenden Anweisungen.

Das Testprogramm und die dazugehörigen Dateien werden nun installiert.

### Einsatz des Testprogramms

- 1 Wählen Sie in der *Start*-Fläche *Programme*, dann *DSP Factory* und klicken Sie schließlich auf *ds2416ck.exe*.
- 2 Sobald das Fenster des Testprogramms angezeigt wird, klicken Sie auf *CHECK START*, um den Test zu starten.

Das Testprogramm kontrolliert folgende Dinge:

1. Die Anzahl der installierten DS2416-Karten.
2. Ob der/die Treiber installiert ist/sind.
3. Ob die DSP-Chips ordnungsgemäß funktionieren.

Nach jedem Test wird das Ergebnis angezeigt. Wenn alle Tests erfolgreich waren, können Sie an OUT L, OUT R, D OUT sowie die Ausgänge 1~4 der angeschlossenen AX-44 Audio-Erweiterung(en) einen Sinuston anlegen, indem Sie auf die Testton-Schaltfläche klicken.

Wenn ein Test nicht zufriedenstellend absolviert wurde, befolgen Sie die dann erscheinenden Hinweise.

Wenn der Treiber auch nach dem Neustart noch nicht ordnungsgemäß funktioniert, sollten Sie ihn noch einmal installieren.

Wenn ein DSP-Test zu einer *DSP ERROR*- oder *DSP NG*-Meldung führt, deutet dies auf einen Hardware-Fehler hin. Wenden Sie sich dann an Ihren Yamaha-Händler.

- 3 Klicken Sie auf EXIT, um das Testprogramm zu verlassen.

## Wordclock

Im Gegensatz zu analogen Audiogeräten müssen digitale Geräte beim Datenaustausch miteinander synchronisiert werden, weil die Digital-Daten sonst entweder nicht richtig gelesen werden oder stark rauschanfällig sind bzw.

Knackser und andere unschöne Geräusche enthalten. Diese Digital-Synchronisation wird über ein sog. *Wordclock*-Signal geregelt. Hierbei handelt es sich um einen Zeittakt, mit dem alle digitalen Audiowörter eines System gleichgeschaltet werden. Hiermit ist übrigens nicht das MIDI- oder SMPTE-Signal für die Synchronisation von Aufnahmegeräten, MIDI-Sequenzern usw. gemeint. Vielmehr handelt es sich um das Gleichschalten aller Audioverarbeitungsschaltkreise.

Dabei fungiert ein Gerät als Taktgeber (*Master*), mit dem die übrigen digitalen Audiogeräte synchronisiert werden (als sogenannte *Slaves*). Wenn Ihre DS2416 das einzige Digital-Gerät in Ihrer Anlage ist, brauchen Sie gar nicht erst weiterzulesen. Wenn Sie Ihre Abmischungen (z.B. mit einem DAT-Recorder) aber auf der digitalen Ebene aufnehmen möchten bzw. auch eine digitale Mehrspurmaschine verwenden, brauchen Sie die Digital-Synchronisation aber. Und wenn Sie erst einmal alles eingestellt haben, kann es immer noch vorkommen, daß Sie Ihr System –für die Aufnahme eines Signals auf DAT-Cassette oder CD– noch einmal anders konfigurieren müssen.

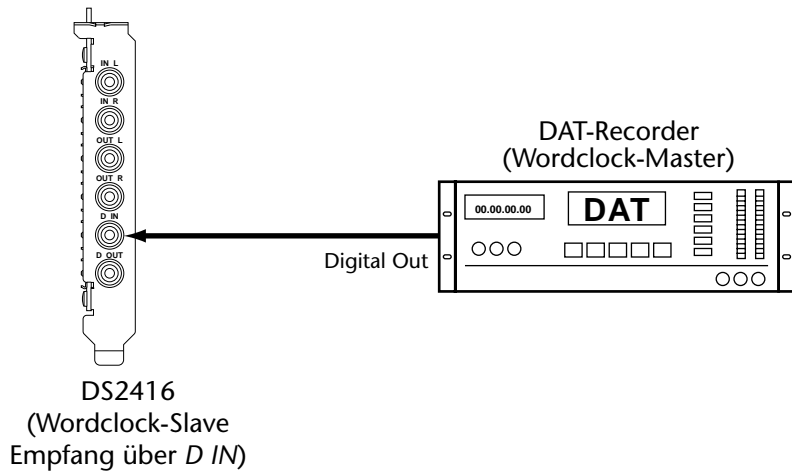
Das Wordclock-Signal hat dieselbe Frequenz wie die gewählte Sampling-Frequenz. Das interne Wordclock-Signal der DS2416 weist eine Frequenz von 44,1kHz auf (das ist übrigens die Norm für Audio-CDs). Die DS2416 kann als Wordclock-Master verwendet oder einem anderen Gerät “unterstellt werden”. In dem Fall können Sie dann eine Wordclock-/Sampling-Frequenz zwischen 30,08 kHz und 50,88kHz (32 kHz –6%~48 kHz +6%) verwenden. Da die Umwandlung der Sampling-Frequenz eines Digital-Audiosignals aber komplizierter ist als man denken mag, sollten Sie sich von Anfang an für 44,1kHz entscheiden. Dann liegt Ihr Audiomaterial nämlich sofort im “amtlichen” CD-Format vor.

Wordclock-Signale können entweder mit separaten Kabeln oder über die Digital-Anschlüsse (z.B. die D IN- und D OUT-Buchse der DS2416) übertragen werden. Bei digitalen Koaxanschlüssen wird selbst ein Wordclock-Signal gesendet, wenn kein Signal übertragen wird. Die DS2416 kann auch über den SI-, SO-, IO-A- und IO-B-Anschluß Wordclock Signale senden bzw. empfangen.

Wenn alle Geräte denselben Taktgeber verwenden, müssen sie auch alle eingeschaltet sein, selbst wenn sie gar nicht verwendet werden. Schalten Sie immer zuerst den Wordclock-Master und danach die Slaves ein. Beim Ausschalten müssen Sie diese Reihenfolge umkehren: Zuerst die Slaves und schließlich den Master. Vor wichtigen Aufnahmen sollten Sie unbedingt kontrollieren, ob sich alle Geräte in den Zeittakt des Masters einklinken. In der Regel weisen Digital-Geräte eine Diode oder Anzeige auf, die Sie auf den verwendeten Zeittakt hinweist. Siehe die Bedienungsanleitung der übrigen Geräte.

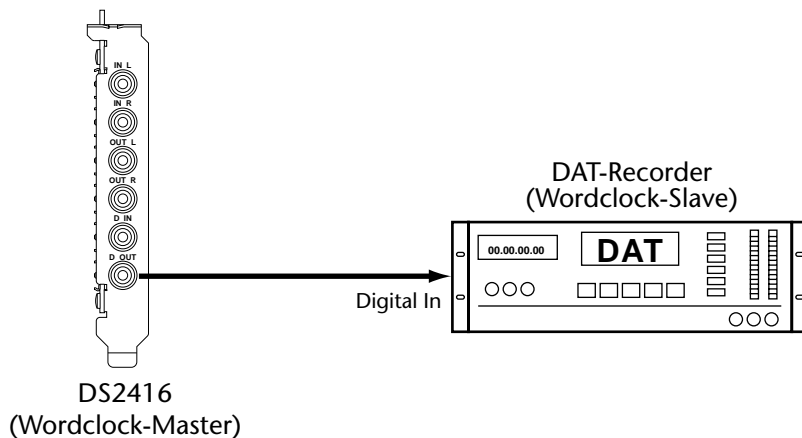
## Digital-Aufnahmen mit der DS2416

In diesem Beispiel haben wir den Digital-Ausgang eines DAT-Recorders mit der D IN-Buchse der DS2416 verbunden. Die DS2416 fungiert als Wordclock-Slave und klinkt sich in den an der D IN-Buchse anliegenden Takt ein. Der DAT-Recorder ist hier also der Master.



## Digital-Überspielung zu einem DAT-Recorder

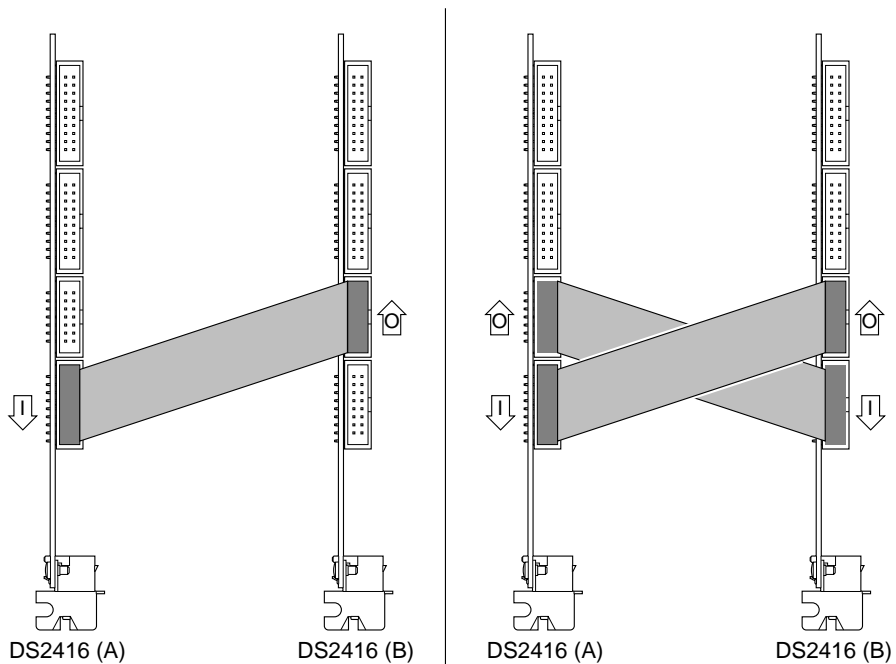
In nachstehendem Beispiel ist die D OUT-Buchse der DS2416 mit dem Digital-Eingang des DAT-Recorders verbunden. Hier muß die DS2416 als Wordclock-Master fungieren, während der DAT-Recorder als Slave verwendet wird. Wenn Sie auf dem DAT-Recorder den (richtigen) Digital-Eingang wählen, klinkt er sich automatisch in den empfangenen Zeittakt ein. Auf bestimmten Geräten muß der Wordclock-Taktgeber jedoch mit einer separaten Funktion angewählt werden. Siehe also die Bedienungsanleitung Ihres DAT-Recorders.



## Digital-Kaskade zweier DS2416-Karten

Über die internen Digital-Anschlüsse “SI” und “SO” können Sie zwei DS2416 digital vernetzen (“kaskadieren”), so daß Sie über ein 48-Kanal-Mischpult verfügen.

- 1 Schieben Sie die zweite DS2416-Karte in den PCI-Slot neben der bereits vorhandenen DS2416. Siehe die Anweisungen weiter oben.
- 2 Stellen Sie mit den beiden 14-Pin→16-Pin-Kabeln eine Verbindung der SI- und SO-Anschlüsse her (siehe Abbildung).



Hier werden die Busse von DS2416 (A) und (B) zusammengeschaltet, so daß 48-Kanal-Abmischungen möglich sind. Einzelne Busse von DS2416 (B) können jedoch auch an die Sub-Eingänge von DS2416 (A) angelegt werden.

Hier werden die Busse von DS2416 (A) und (B) zusammengeschaltet, so daß 48-Kanal-Abmischungen möglich sind. Einzelne Busse von DS2416 (A) oder (B) können an die Sub-Eingänge der anderen DS2416 angelegt werden.

- 3 Bringen Sie die Haube des Rechners wieder an.



## Fragen Sie Dr. DS2416

- F** Was ist ein DSP?
- A** Ein DSP (*Digital Signal Processor*) ist ein Prozessor, der speziell für die Be- und Verarbeitung von Digital-Audiodaten in Echtzeit entwickelt wurde. Die DS2416 enthält dieselben DSPs wie die Mischpulte 02R und 03D sowie die Hallgeräte ProR3 und REV500 von Yamaha.
- F** Welche Wortbreite wird für die Audiodaten verwendet?
- A** Die Klangregelung (EQ) weist einen 44-Bit-Datenweg, einen 32-Bit-Koeffizienten sowie einen 54-Bit-Sammler auf. Alle anderen Mixer-Sektionen sind mit einem 32-Bit-Datenweg, 24-Bit-Koeffizienten und 42-Bit-Sammler ausgestattet.
- F** Bietet die DS2416 auch Speicher?
- A** Ja. Es stehen 3 Megabyte für die Eingangsverzögerung und Delay-Effekte zur Verfügung.
- F** Wie lange kann man aufnehmen?
- A** Das richtet sich ganz nach dem verwendeten Audioprogramm, der Wortbreite sowie der Speicherkapazität Ihrer Festplatte. In der Regel belegen zwei Kanäle im 16-Bit-Audioformat 10,6 MB/min.
- F** Wie kann man die DS2416 mit MIDI Clock, MTC oder SMPTE synchronisieren?
- A** Wenn das Audioprogramm und die Timecode-Schnittstelle einen externen Zeittakt empfangen können, spielt auch die DS2416 mit.
- F** Können die Mischfunktionen der DS2416 via MIDI gesteuert werden?
- A** Wenn das verwendete Audioprogramm dies zulässt, ja.
- F** Wie gut sind die internen Effektprozessoren?
- A** Hervorragend. Sie sind nämlich mit denen des ProR3 und REV500 von Yamaha verwandt.
- F** Kann die DS2416 im Verbund mit einer Sound Blaster- oder 1212 I/O-Karte von Korg verwendet werden?
- A** Ja.

## Fehlersuche

Problem	Lösung
Die DS2416 funktioniert nicht.	Schauen Sie nach, ob die DS2416 ordnungsgemäß an den PCI-Slot angeschlossen wurde.
	Schauen Sie nach, ob die Ein- und Ausgänge der DS2416 in dem Audioprogramm ordnungsgemäß zugewiesen sind.
	Bei älteren Rechnern können bestimmte PCI-Slots nicht als Bus-Master verwendet werden. Daher sollten Sie die DS2416 niemals mit einem solchen Anschluß verbinden. Siehe die Bedienungsanleitung des Rechners.
	Bestimmte PCI-Karten können Konflikte mit der DS2416 verursachen. Ändern Sie notfalls die Anschlußreihenfolge oder bauen Sie den vermutlichen Störenfried zeitweilig aus.
Es tritt ein tiefer Brummton auf.	Die DS2416 wird über die Befestigungsschraube der Schachtblende geerdet. Diese muß also festgedreht werden.

## Effektprogramme

Die DS2416 enthält folgende Effektprogramme. Auf Seite 149 finden Sie eine ausführliche Beschreibung der einzelnen Parameter.

### Halleffekte (Reverb)

Typ	Beschreibung
<b>REVERB HALL</b>	Nachempfindung des Halls eines Konzertsaals.
<b>REVERB ROOM</b>	Zimmerhall (kleinerer Raum als REVERB HALL).
<b>REVERB STAGE</b>	Hall für Gesang.
<b>REVERB PLATE</b>	Nachempfindung eines Plattenhalls, demnach etwas "härterer" Hall.
<b>EARLY REF.</b>	Ein Effekt, der nur die Erstreflexionen (ER) eines Hallsignals enthält. Macht das bearbeitete Signal "präsender".
<b>GATE REVERB</b>	ER-Effekt, der als "Gate Reverb" verwendet werden kann.
<b>REVERSE GATE</b>	Erstreflexionen, die den Eindruck erwecken, daß das Signal umgekehrt wurde.

### Delays

Typ	Beschreibung
<b>MONO DELAY</b>	Pflegeleichter Mono-Delay. Ideal, wenn Sie zwar Echo brauchen, aber nur wenige Parameter einstellen möchten.
<b>STEREO DELAY</b>	Stereo-Delay mit separatem linken und rechten Kanal.
<b>MOD.DELAY</b>	Mono-Delay mit Modulationsmöglichkeit.
<b>DELAY LCR</b>	Delay mit drei Wiederholungslinien (links, Mitte, rechts).
<b>ECHO</b>	Stereo-Delay mit Überkreuz-Feedback und zusätzlichen Parametern, die eine weiterführende Kontrolle erlauben.

## Modulationseffekte

Typ	Beschreibung
CHORUS	Drei-Phasen Stereo-Chorus.
FLANGE	Ausgezeichneter Flange.
SYMPHONIC	Ein von Yamaha entwickelter Effekt, der eine vollere Modulation liefert als ein Chorus-Effekt.
PHASER	Stereo-Phaser mit 2~16 Phasenverschiebungen.
AUTO PAN	Effekt, der das bearbeitete Signal automatisch zwischen dem linken und rechten Kanal hin- und herbewegt.
TREMOLO	Tremolo.
HQ.PITCH (Nur Effekt 2)	Hochwertiger Pitch Shift-Effekt mit einer Transposition, die überaus genau ist.
DUAL PITCH	Zweistimmiger Pitch Shifter; separat einstellbar für links und rechts.
ROTARY	Nachempfindung eines sich drehenden Orgellautsprechers.
RING MOD.	Ein Effekt, der die Tonhöhe moduliert, indem er die Frequenz des Eingangssignals mit Amplitudenmodulation versieht.
MOD.FILTER	Von einem LFO moduliertes Filter (für WahWah-ähnliche Effekte).

## Gitarreneffekte

Typ	Beschreibung
DISTORTION	Verzerrung ("Brat-Sound").
AMP SIMULATE	Simulation eines Gitarren-Amps.

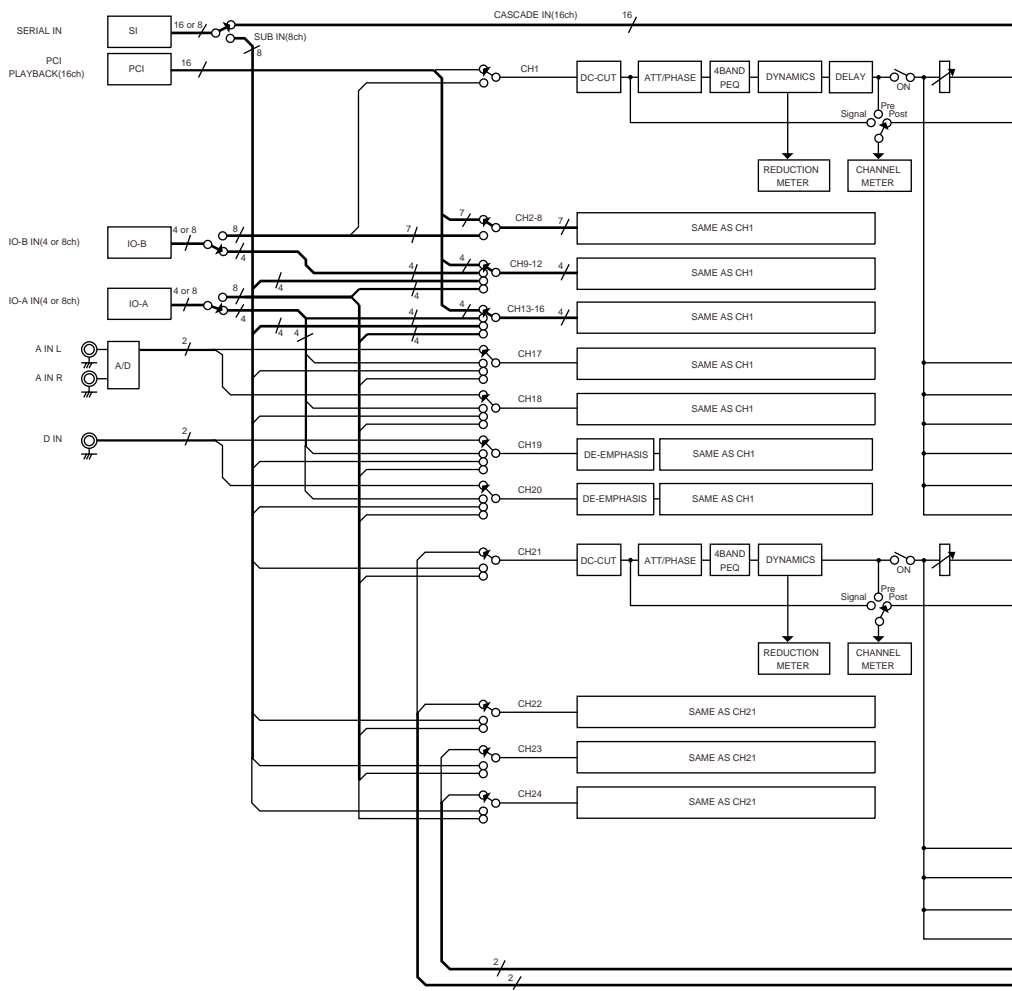
## Dynamische Effekte

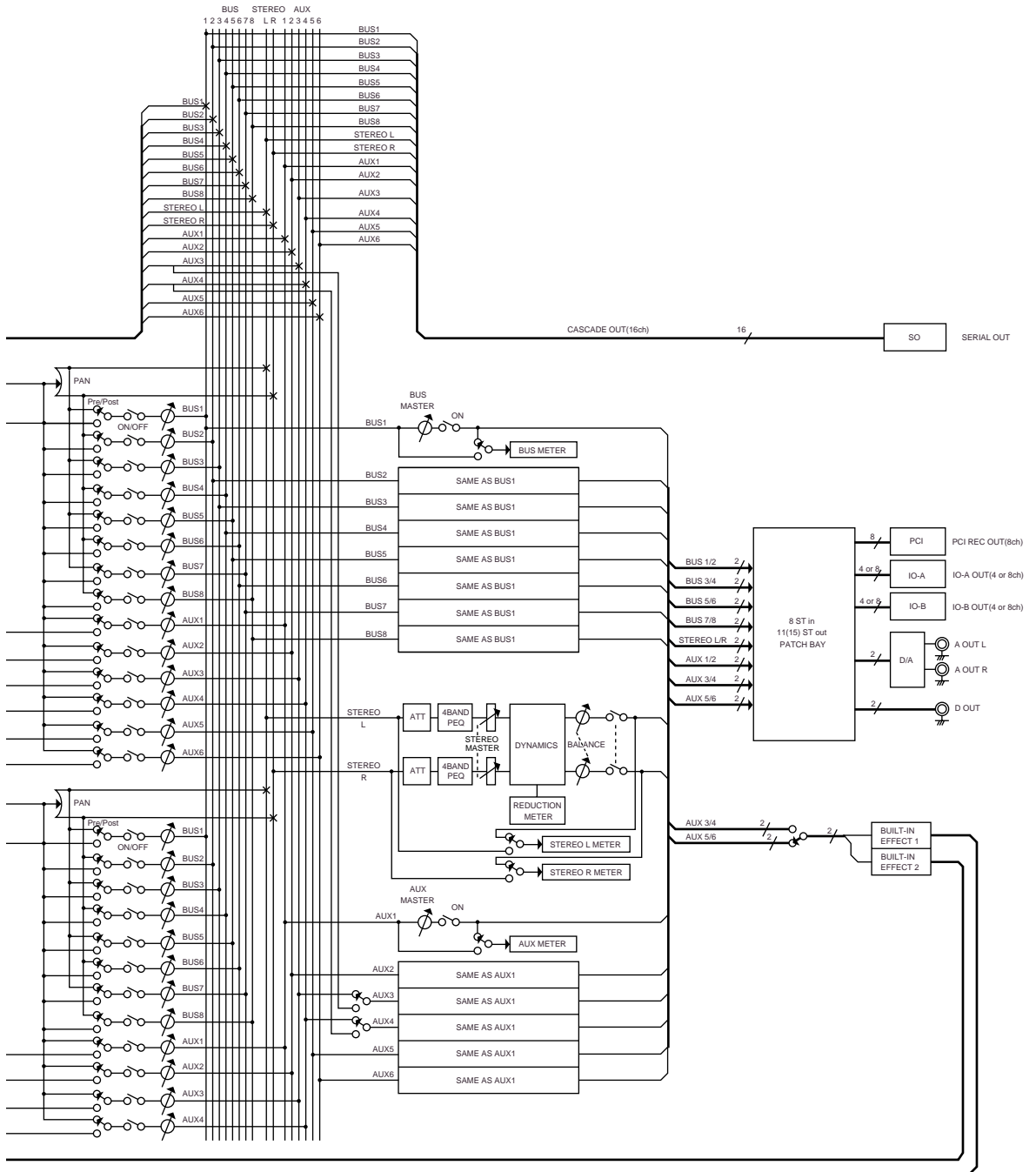
Typ	Beschreibung
DYNA.FILTER	Dynamisch steuerbares Filter.
DYNA.FLANGE	Dynamisch steuerbarer Flange.
DYNA.PHASER	Dynamisch steuerbarer Phaser.

## Kombinierte Effekte

Typ	Beschreibung
<b>REV+CHORUS</b>	Parallel geschalteter Hall und Chorus (nebeneinander).
<b>REV-&gt;CHORUS</b>	In Serie geschalteter Hall und Chorus (hintereinander).
<b>REV+FLANGE</b>	Parallel geschalteter Hall und Flange.
<b>REV-&gt;FLANGE</b>	In Serie geschalteter Hall und Flange.
<b>REV+SYMPHO.</b>	Parallel geschalteter Hall und Symphonic-Effekt.
<b>REV-&gt;SYMPHO.</b>	In Serie geschalteter Hall und Symphonic-Effekt.
<b>REV-&gt;PAN</b>	In Serie geschalteter Hall und Auto Pan-Effekt.
<b>DELAY+ER.</b>	Parallel geschalteter Delay- und Erstreflexionseffekt.
<b>DELAY-&gt;ER.</b>	In Serie geschalteter Delay und Erstreflexionseffekt.
<b>DELAY+REV</b>	Parallel geschalteter Delay und Hall.
<b>DELAY-&gt;REV</b>	In Serie geschalteter Delay und Hall.
<b>DIST-&gt;DELAY</b>	In Serie geschalteter Distortion- und Delay-Effekt.

# Blockschaltbild





## Spezifikationen

### Allgemein

Sampling-Frequenz	Intern	44,1kHz, 48kHz
	Interne Toleranz	41,45~50,88 kHz <sup>1</sup>
	Extern	30,08~50,88 kHz <sup>2</sup>
Signalverzögerung (fs = 48 kHz)	A/D	620µs typisch
	D/A	310µs typisch
Klirrfaktor (THD) <sup>3</sup> (fs = 48kHz, +6dBV, anal. Ein- zu Ausgang)		Weniger als 0,02% (20Hz~20kHz)
Frequenzgang (fs = 48kHz, +6dBV, anal. Ein- zu Ausgang)		20Hz~20kHz, -3, +1 dB
Dynamikumfang <sup>4</sup> (fs = 48kHz)	D/A	Typisch 94dB
	A/D + D/A	Typisch 93dB
Restausgangsrauschen <sup>4</sup> (D/A-Eingang = Digital-Ausgang)		Typisch -88dBV
Eingänge	IN L, IN R	20-Bit-A/D, 128faches Oversampling
	D IN	Consumer-Format (Koax)
Ausgänge	OUT L, OUT R	20-Bit-D/A, 8faches Oversampling
	D OUT	Consumer-Format (Koax)
Effekte (HQ. Pitch nur für Effekt 2 belegt)	Effekt 1	39 Typen
	Effekt 2	40 Typen
Stromversorgung		+5V (1,5A max.) +12V (150mA max.)
Maximale Leistungsaufnahme		9,3W
Temperatur	Betrieb	+10~+40°C
	Lagerung	-20~+55°C
Abmessungen (H x L x T)		125,92 x 187,95 x 21,59 mm Kurze PCI-Karte mit variabler Höhe (5V, 32 Bit)
Gewicht		170g
Lieferumfang		Diskette mit Treiber
		14-Pin→16-Pin-Kabel, 100 mm x1

1. 44,1kHz ±6%, 48kHz ±6%
2. 32kHz -6%~48kHz +6%
3. Bandbreitenfilter ±0,1dB (20Hz~20kHz), -60dB (mehr als 24,1kHz)
4. Bandbreitenfilter wie oben plus Eichfilter (IEC60651 A-Curve, Toleranz: Typ 0)



**Eingangskanäle**

<b>De-Emphasis (Kan. 19 &amp; 20)</b>		Automatisch zu- oder abgeschaltet
<b>DC Cut</b>		Automatisch zu- oder abgeschaltet
<b>ATT (Abschwächung)</b>		-96~+12dB (109 Schritte)
<b>Phase</b>		Normal/umgekehrt
<b>4-Band EQ (12 EQ-Typen je Band)</b>	<b>Frequenz</b>	20Hz~20kHz (120 Schritte, 12/Oktave)
	<b>Anh./Abs.</b>	-18~+18 dB (73 Schritte, 0,5dB/Schritt)
	<b>Q (Güte)</b>	0,1~10,0 (41 Schritte)
<b>Dynamik (6 Typen)</b>	<b>Threshold</b>	-54~0dB (55 Schritte, 1,0 dB/Schritt)
	<b>Attack</b>	0~120ms (121 Schritte, 1ms/Schritt)
	<b>Gain</b>	0~18dB (37 Schritte, 0,5dB/Schritt)
	<b>Release</b>	5ms~42,3s, fs = 48,0kHz (160 Schritte) 6ms~46,0s, fs = 44,1kHz (160 Schritte)
	<b>Ratio</b>	1,0 bis unendlich (16 Schritte)
	<b>Knee</b>	Hard, 1, 2, 3, 4, 5 (6 Schritte)
	<b>Range</b>	-70~0dB (71 Schritte, 1,0dB/Schritt)
	<b>Hold</b>	0,02ms~1,96s, fs = 48,0kHz (216 Schritte) 0,02ms~2,13s, fs = 44,1kHz (216 Schritte)
	<b>Decay</b>	5ms~42,3s, fs = 48,0kHz (160 Schritte) 6ms~46,0s, fs = 44,1kHz (160 Schritte)
	<b>Width</b>	1~90 (90 Schritte, 1,0 dB/Schritt)
	<b>Mgain</b>	-18~0dB (37 Schritte, 0,5dB/Schritt)
	<b>Pegelbegrenzungsanzeige</b>	-18~0dB (12 Schritte)
<b>Verzögerung (Kanal 1~20)</b>		0~2.600 Samples (2.601 Schritte)
		An/Aus
<b>An/Aus-Funktion</b>		
<b>Fader (Lautstärke)</b>		-unendlich, -90~+10dB (128 Schritte)
<b>Pan</b>		33 Positionen
<b>Kanal-Meter</b>		-72~0dB (32 Schritte)
		Pre/Post/Signal
		Peak Hold (Pegelspitzenhaltefunktion)
		Decay Fast/Slow
<b>Bus-Hinwege</b>	<b>Pegel</b>	-unendlich, -120~0dB (128 Schritte)
	<b>Pre/Post</b>	(Vor/hinter Pan-Regler)
	<b>An/Aus</b>	
<b>AUX-Hinwege</b>	<b>Pegel</b>	-unendlich, -120~0dB (128 Schritte)
	<b>Pre/Post</b>	(Vor/hinter Fader)
	<b>An/Aus</b>	

**Bus-Ausgänge 1~8**

<b>Bus-Masterfader</b>	–unendlich, –120~0dB (128 Schritte)
<b>An/Aus</b>	
<b>Bus-Meter</b>	–72~0dB (32 Schritte)
	Vor/hinter Fader
	Peak Hold (Pegelspitzenhaltefunktion)
	Decay Fast/Slow

**AUX-Send 1~6**

<b>AUX-Masterfader</b>	–unendlich, –120~0dB (128 Schritte)
<b>An/Aus</b>	
<b>AUX-Meter</b>	–72~0dB (32 Schritte)
	Vor/hinter Fader
	Peak Hold (Pegelspitzenhaltefunktion)
	Decay Fast/Slow

**Stereo-Ausgang**

<b>ATT (Anhebung/Abschwächung)</b>		–96~+12 dB (109 Schritte)
<b>4-Band EQ (12 EQ-Typen je Band)</b>	<b>Frequenz</b>	20Hz~20kHz (120 Schritte, 12 Punkte/ Oktave)
	<b>Anh./Abs.</b>	–18~+18 dB (73 Schritte, 0,5dB/Schritt)
	<b>Q (Güte)</b>	0,1~10,0 (41 Schritte)
<b>Stereo-Masterfader</b>		–unendlich, –120~0dB (128 Schritte)
<b>Dynamik (6 Typen)</b>	<b>Threshold</b>	–54~0dB (55 Schritte, 1,0dB/Schritt)
	<b>Attack</b>	0~120ms (121 Schritte, 1ms/Schritt)
	<b>Gain</b>	0~18dB (37 Schritte, 0,5dB/Schritt)
	<b>Release</b>	5ms~42,3s, fs = 48,0kHz (160 Schritte)
		6ms~46,0s, fs = 44,1kHz (160 Schritte)
	<b>Ratio</b>	1,0 bis unendlich (16 Schritte)
	<b>Knee</b>	Hard, 1, 2, 3, 4, 5 (6 Schritte)
	<b>Range</b>	–70~0dB (71 Schritte, 1,0dB/Schritt)
	<b>Hold</b>	0,02ms~1,96s, fs = 48,0kHz (216 Schritte)
		0,02ms~2,13s, fs = 44,1kHz (216 Schritte)
	<b>Decay</b>	5ms~42,3s, fs = 48,0kHz (160 Schritte)
6ms~46,0s, fs = 44,1kHz (160 Schritte)		
<b>Width</b>	1~90 (90 Schritte, 1,0dB/Schritt)	
<b>Mgain</b>	–18~0dB (37 Schritte, 0,5dB/Schritt)	
<b>Pegelbegrenzungsanzeige</b>	–18~0dB (12 Schritte)	
<b>Balance</b>		33 Schritte

<b>Stereo-Meter</b>	-72~0dB (32 Schritte)
	Vor/hinter Fader
	Peak Hold (Pegelspitzenhaltefunktion)
	Decay Fast/Slow

## Eingabe-Patchbay

<b>Eingang</b>	<b>Anwählbare Quelle</b>
<b>Kan. 1</b>	PCI PB1, IO-B2-1
<b>Kan. 2</b>	PCI PB2, IO-B2-2
<b>Kan. 3</b>	PCI PB3, IO-B2-3
<b>Kan. 4</b>	PCI PB4, IO-B2-4
<b>Kan. 5</b>	PCI PB5, IO-B2-5
<b>Kan. 6</b>	PCI PB6, IO-B2-6
<b>Kan. 7</b>	PCI PB7, IO-B2-7
<b>Kan. 8</b>	PCI PB8, IO-B2-8
<b>Kan. 9</b>	PCI PB9, IO-B1-1, SUB IN1, IO-A2-1
<b>Kan. 10</b>	PCI PB10, IO-B1-2, SUB IN2, IO-A2-2
<b>Kan. 11</b>	PCI PB11, IO-B1-3, SUB IN3, IO-A2-3
<b>Kan. 12</b>	PCI PB12, IO-B1-4, SUB IN4, IO-A2-4
<b>Kan. 13</b>	PCI PB13, IO-A1-1, SUB IN5, IO-A2-5
<b>Kan. 14</b>	PCI PB14, IO-A1-2, SUB IN6, IO-A2-6
<b>Kan. 15</b>	PCI PB15, IO-A1-3, SUB IN7, IO-A2-7
<b>Kan. 16</b>	PCI PB16, IO-A1-4, SUB IN8, IO-A2-8
<b>Kan. 17</b>	IN L, IO-A1-1, SUB IN1, IO-A2-1
<b>Kan. 18</b>	IN R, IO-A1-2, SUB IN2, IO-A2-2
<b>Kan. 19</b>	DIN L, IO-A1-3, SUB IN3, IO-A2-3
<b>Kan. 20</b>	DIN R, IO-A1-4, SUB IN4, IO-A2-4
<b>Kan. 21</b>	Effect1 Return L, SUB IN5, IO-A2-5
<b>Kan. 22</b>	Effect1 Return R, SUB IN6, IO-A2-6
<b>Kan. 23</b>	Effect2 Return L, SUB IN7, IO-A2-7
<b>Kan. 24</b>	Effect2 Return R, SUB IN8, IO-A2-8

PCI PB: Wellenformdaten usw., Wiedergabe

IO-A1: Gerät mit 4 Ein- und 4 Ausgängen, das an IO-A angeschlossen ist

IO-A2: Gerät mit 8 Ein- und 8 Ausgängen, das an IO-A angeschlossen ist

IO-B1: Gerät mit 4 Ein- und 4 Ausgängen, das an IO-B angeschlossen ist

IO-B2: Gerät mit 8 Ein- und 8 Ausgängen, das an IO-B angeschlossen ist

## Ausgabe-Patchbay

Die Quellen 1~8 können beliebig zugeordnet werden.

Quelle	Zuordnungsmöglichkeit
1: BUS 1, 2	1: REC 1, 2
2: BUS 3, 4	2: REC 3, 4
3: BUS 5, 6	3: REC 5, 6
4: BUS 7, 8	4: REC 7, 8
5: AUX 1, 2	5: IO-A1-1, 2 (IO-A2-1, 2)
6: AUX 3, 4	6: IO-A1-3, 4 (IO-A2-3, 4)
7: AUX 5, 6	7: IO-B1-1, 2 (IO-B2-1, 2)
8: STL, STR	8: IO-B1-3, 4 (IO-B2-3, 4)
	9: AOUTL, AOUTR
	10: DOUTL, DOUTR
	11: IO-A2-5, 6
	12: IO-A2-7, 8
	13: IO-B2-5, 6
	14: IO-B2-7, 8

IO-A1: Gerät mit 4 Ein- und 4 Ausgängen, das an IO-A angeschlossen ist

IO-A2: Gerät mit 8 Ein- und 8 Ausgängen, das an IO-A angeschlossen ist

IO-B1: Gerät mit 4 Ein- und 4 Ausgängen, das an IO-B angeschlossen ist

IO-B2: Gerät mit 8 Ein- und 8 Ausgängen, das an IO-B angeschlossen ist

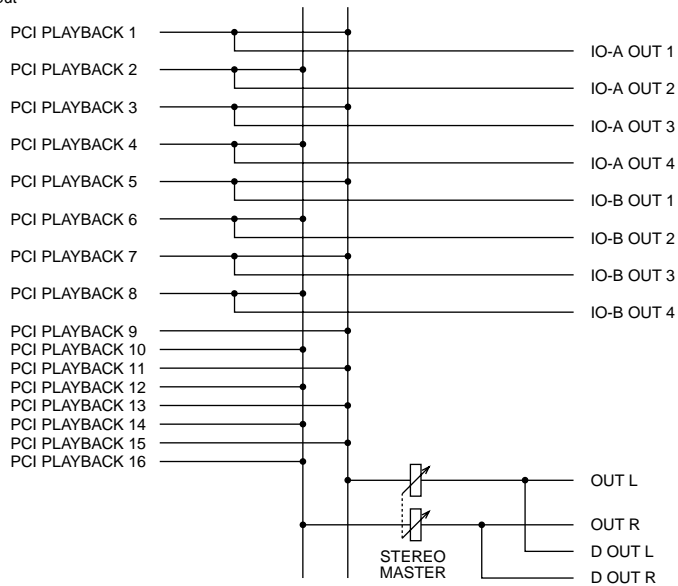
## Patchbay-Diagramm der festen Zuordnungen

Wenn die DS2416 mit einem Audioprogramm verwendet wird, das die Mischfunktionen der DS2416 nicht unterstützt, lauten die Ein- und Ausgangszuordnungen wie folgt:

### Input



### Output



## Analog-Eingänge

Anschluß	Tats. Lastimpedanz	Bei Verw. mit Nennwert	Eingangsspegel		Anschlußtyp
			Nennwert	Max. vor Verzerrung	
IN L, IN R <sup>1</sup>	10k $\Omega$	600 $\Omega$ Line	-10dBV <sup>2</sup> (316mV)	+6dBV (1,995V)	RCA/Cinch (asymmetrisch)

1. Die Eingänge bieten einen 20-Bit A/D-Wandler mit 128fachem Oversampling.
2. Wenn "dBV" einen Spannungswert vertritt, so entspricht 0dBV dem Wert 1V<sub>rms</sub>.

## Analog-Ausgänge

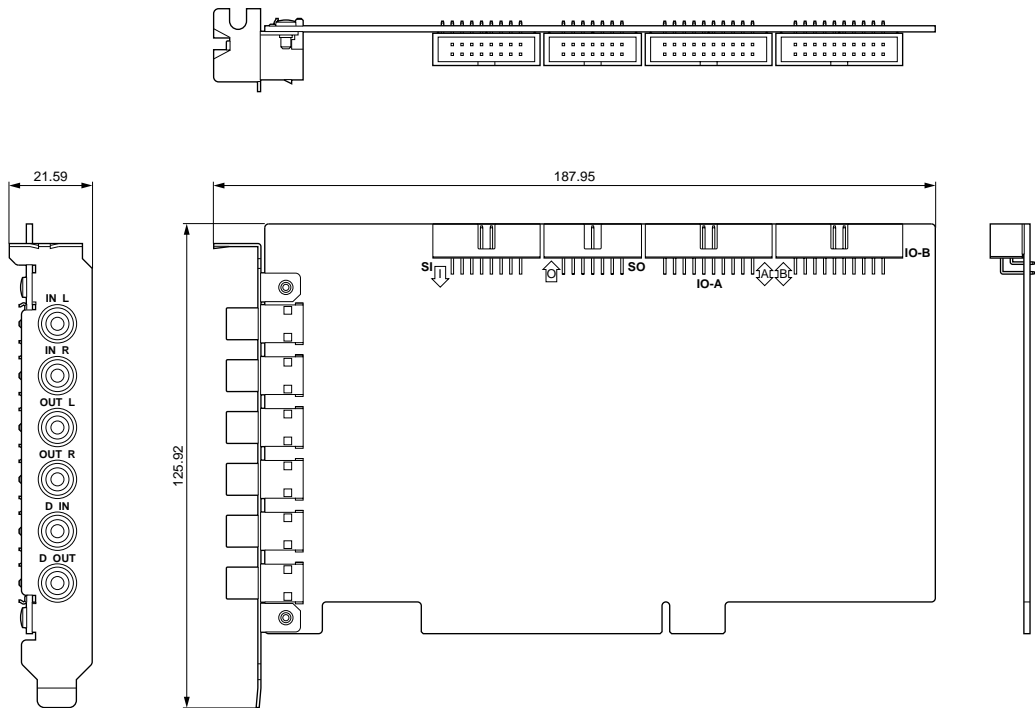
Anschluß	Tats. Quellenimpedanz	Bei Verw. mit Nennwert	Ausgangsspegel		Anschlußtyp
			Nennwert	Max. vor Verzerrung	
OUT L, OUT R <sup>1</sup>	600 $\Omega$	10k $\Omega$ Line	-10dBV <sup>2</sup> (316mV)	+6dBV (1,995V)	RCA/Cinch (asymmetrisch)

1. Die Ausgänge bieten einen 20-Bit D/A-Wandler mit 8fachem Oversampling.
2. Wenn "dBV" einen Spannungswert vertritt, so entspricht 0dBV dem Wert 1V<sub>rms</sub>.

## Digital-Ein-/Ausgänge

Anschluß	E/A	Format	Pegel	Anschlußtyp
D IN	E	IEC60958 Consumer	0,5V <sub>pp</sub> , 75 $\Omega$	RCA/Cinch (asymmetrisch)
D OUT	A	IEC60958 Consumer	0,5 V <sub>pp</sub> , 75 $\Omega$	RCA/Cinch (asymmetrisch)
IO-A, IO-B	E/A	4 oder 8 Kan. Digital-Audio E/A 4 oder 8 Kan. Digital-Audio E/A Max. 32 Bit je Kanal Format richtet sich nach ext. Gerät	5V CMOS	20-Pin-Anschluß
SERIAL IN	E	8 oder 16 Kan. Digital-Audio E/A Max. 32 Bit pro Kanal Format richtet sich nach ext. Gerät	5V CMOS	16-Pin-Anschluß
SERIAL OUT	A	8 oder 16 Kan. Digital-Audio E/A Max. 32 Bit pro Kanal Format richtet sich nach ext. Gerät	5V CMOS	14-Pin-Anschluß

## Abmessungen



Einheit: mm

Änderungen der technischen Daten ohne Vorankündigung jederzeit vorbehalten.



# DS2416

## DIGITAL MIXING CARD



---

Manual de instrucciones

---

Español



---

## Índice

<b>Introducción</b> .....	<b>92</b>
DSP Factory Yamaha .....	92
Nota importante .....	92
Requisitos del sistema .....	93
Notas sobre el sistema .....	93
Softare compatible .....	93
<b>Características</b> .....	<b>94</b>
Generales .....	94
Mezclador .....	94
Grabadora .....	94
<b>Conexiones</b> .....	<b>95</b>
Parte posterior .....	95
Parte interna .....	96
<b>Instalación de la DS2416</b> .....	<b>97</b>
<b>Prueba de la DS2416</b> .....	<b>98</b>
Instalación del programa de prueba .....	98
Utilización del programa de prueba .....	98
<b>Relojes de palabra</b> .....	<b>99</b>
Grabación digital a la DS2416 .....	101
Grabación digital en una grabadora de cinta audiodigital .....	101
<b>Conexión en cascada de tarjetas DS2416</b> .....	<b>102</b>
<b>Preguntas y respuestas sobre la DS2416</b> .....	<b>103</b>
<b>Solución de problemas</b> .....	<b>104</b>
<b>Programas de efectos</b> .....	<b>105</b>
<b>Diagrama en bloques</b> .....	<b>108</b>
<b>Especificaciones</b> .....	<b>110</b>
<b>Effects Parameters</b> .....	<b>149</b>

---

## Noticias importantes

- No coloque la DS2416 en un lugar sometido a calor excesivo, la luz solar directa, humedad excesiva, ni polvo.
- Mantenga la DS2416 en el interior de una bolsa antiestática hasta que esté preparado par instalarla.
- Parra evitar daños de manejo, sujete la DS2416 por los bordes o por su soporte.
- Si toca accidentalmente los contactos del borde de la tarjeta, elimine las huellas dactilares utilizando un pañuelo de papel.
- No coloque objetos sobre la DS2416, y no la coloque donde puedan caer objetos sobre ella.
- Antes de extraer la cubierta de su PC, desconecte su alimentación y desenchufe el cable de alimentación.
- Para evitar daños debidos a la electrostática, antes de instalar la DS2416, toque una parte metálica puesta a tierra de su PC, como la caja de la fuente de alimentación.

## Lista de envío

- Tarjeta de mezcla digital DS2416
- Disquete del controlador y el programa de prueba
- Cable con conectores de 14 contactos a 16 contactos
- Este manual

## Marcas registradas y comerciales

IBM PC es marca registrada de International Business Machines. Korg es marca comercial de Korg, Inc, Pentium es marca registrada de Intel. Sound Blaster es marca registrada de Advanced WavEffects. Windows 95 es marca comercial de Microsoft. Yamaha es marca comercial de Yamaha Corporation. Todas las demás marcas comerciales son propiedad de sus respectivos propietarios y se reconocen aquí.

## Derechos de autor

Ninguna parte del *Manual de instrucciones* de la DS2416 deberá reproducir ni distribuirse de ninguna forma ni a través de ningún medio sin la previa autorización por escrito de Yamaha Corporation, Inc.

© 1998 Yamaha Corporation. Reservados todos los derechos.

**¡Guarde este manual para futuras referencias!**

## Introducción

Muchas gracias por la adquisición de la tarjeta de mezcla digital DS2416. Con la grabación simultánea de 8 pistas, la reproducción simultánea de 16 pistas, la mezcla 24 canales, la ecualización paramétrica de 4 bandas, y los efectos dinámicos, la DS2416 proporciona un estudio completo de grabación digital dentro de un PC normal. A diferencia de otras tarjetas de audio, los cinco DSP alivian la carga del procesador principal del PC, dejándolo libre para concentrarse en la temporización y en otras tareas mientras la DS2416 se hace cargo de efectos de gran calidad, la ecualización, y el proceso de efectos dinámicos. En algunos casos, la capacidad de proceso de la DS2416 puede permitir al software de audio grabar y reproducir un número mayor de pistas.

Para facilitar la instalación y manejar gran cantidad de datos, la DS2416 utiliza el bus de normas industriales PCI (interconexión de componentes periféricos). Las tarjetas de sonido pueden conectarse digitalmente, o también pueden conectarse en cascada dos tarjetas DS2416 para obtener una mezcla de 48 canales, proporcionando cada una entradas y salidas analógicas de 2 canales, con convertidores A/D con sobremuestreo de 128 veces y 20 bits y convertidores D/A con sobremuestreo de 8 veces y 20 bits también, y entrada y salida digital coaxial. Las entradas y salidas pueden ampliarse utilizando una unidad de expansión de audio AX44 opcional, que ofrece cuatro entradas analógicas de 1/4 de pulgada - dos de las cuales pueden utilizarse con micrófonos - cuatro salidas analógicas de 1/4 de pulgada, y una toma para auriculares estéreo.

Usted podrá utilizar dos AX44 con cada tarjeta DS2416 para obtener ocho entradas y salidas analógicas.

### DSP Factory Yamaha

La tarjeta de mezcla digital DS2416 es el corazón del sistema DSP Factory Yamaha, una gama de productos diseñados para permitir la grabación multipista y la mezcla digital con PC. Otros productos DSP Factory incluyen la unidad de expansión de audio AX44, y actualmente se encuentran en fase de desarrollo varias opciones de entrada y salida multicanales analógicas y digitales.

Compruebe el sitio Web de Professional Audio Yamaha a fin de obtener la información más reciente

<<http://www.yamaha.co.jp/product/proaudio/homeenglish/>>.

### Nota importante

La posibilidad de utilización real de todas las funciones de la DS2416 que aparecen en el manual dependerán de su software de audio.

## Requisitos del sistema

- PC con Windows 95 y bus PCI compatible con PC IBM
- Software de audio compatible con la DS2416

## Notas sobre el sistema

La DS2416 podrá utilizarse con cualquier PC con bus PCI compatible con PC IBM que utilice Windows 95. La DS2416 requiere una ranura de bus de expansión PCI de 5 V, y no podrá utilizarse con ranuras PCI de 3,3 V. Cumple con las normas PCI versión 2.1, requiere una IRQ (solicitud de interrupción), pero no DMA (Acceso directo a la memoria). Como es una tarjeta PCI, los ajustes de IRQ se realizan automáticamente. No soporta velocidades de bus PCI superiores a 33 MHz.

Los requisitos de tipo de procesador, memoria, y disco duro dependerán del software de control, no de la DS2416. El controlador de dispositivos suministrado requiere algunos cientos de kilobytes de espacio de disco. Aunque la DS2416 soporta la grabación simultánea de 8 pistas y la reproducción simultánea de 16 pistas, el comportamiento real dependerá de la capacidad de su PC y su software de audio.

## Software compatible

Usted podrá utilizar cualquier software que soporte Windows MME (extensiones para multimedia), incluyendo el accesorio Windows Media Player con la DS2416 para grabar y reproducir. Sin embargo, para utilizar las funciones de mezcla necesitará software que soporte el mezclador DS2146. En abril de 1998, las siguientes compañías están desarrollando software, o ya lo han puesto al mercado para la DS2416.

Para más información, visite los sitios Web siguientes.

- **C-Mexx** <<http://www.c-mexx.com/>>
- **Cakewalk** <<http://www.cakewalk.com/>>
- **Canam Computers** <<http://www.canam-comp.fr/>>
- **Emagic** <<http://www.emagic.de/>>
- **IQS (Innovative Quality Software)** <<http://www.iqsoft.com/>>
- **Musicator** <<http://www.musicator.com/>>
- **SEK'D** <<http://www.sekd.com/CConsole/StudCcons.htm>>
- **Sonic Foundry** <<http://www.sfoundry.com/>>
- **Steinberg** <<http://www.steinberg.de/>>

Aunque el software de audio que no soporte todas las funciones, la DS2146 todavía podrá utilizar un juego básico de funciones. Sin embargo, las conexiones de entrada y salida son fijas como se muestra en el “Diagrama de conexiones fijas” de la página 116. Volume Control de Windows 95 podrá utilizarse para ajustar el control de equilibrio principal entre canales estéreo y el silenciamiento, y los medidores de nivel mostrarán los niveles de grabación.

## Características

### Generales

- Tarjeta con bus PCI (de acuerdo con la versión 2.1)
- Soporte para MME (extensiones multimedia) de Windows 95
- Instalación en forma Plug and Play
- 5 DSP incorporados alivian la carga del procesador principal del PC
- 2 entradas analógicas con convertidores A/D con sobremuestreo de 128 veces de 20 bits
- 2 salidas analógicas con convertidores D/A sobremuestreo de 8 veces de 20 bits
- Entrada y salida digital coaxial estéreo (20 o 24 bits)
- Opciones de entrada y salida analógica y digital multicanal

### Mezclador

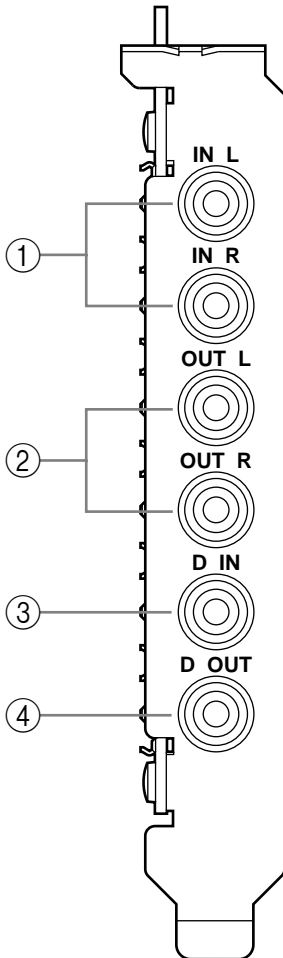
- 24 canales de entrada, 8 salidas de bus, 6 transmisiones auxiliares (dos que alimentan los procesadores de efectos incorporados), y salida estéreo
- Los canales de entrada 21–24 funcionan como retornos de efectos para los efectos incorporados
- Ecualizador paramétrico de 4 bandas en todos los canales de entrada y en la salida estéreo
- Procesadores dinámicos con medidores de reducción en todos los canales de entrada y en la salida estéreo
- Dos procesadores de efectos incorporados con calidad ProR3/REV500 Yamaha
- Retardo de entrada en los canales de entrada 1–20
- Medición del nivel de señal para todas las entradas y salidas
- Conexión en cascada digital de dos tarjetas DS2416 para mezcla de 48 canales
- Proceso de audio digital de 32 bits

### Grabadora

- Grabación simultánea en 8 pistas
- Reproducción simultánea de 16 pistas
- Grabación y reproducción de hasta 32 bits (dependiendo del software)
- Sincronización precisa de muestras entre pistas
- Sincronización externa a través de software de control

## Conexiones

### Parte posterior



#### ① Entradas para los canales izquierdo y derecho (IN L, IN R)

Las entradas analógicas IN L e IN R se caracterizan por tomas fono con un nivel nominal de entrada de  $-10$  dBV. La conversión analógica a digital se caracteriza por técnicas de sobremuestreo de 128 veces de 20 bits. Para obtener el máximo rendimiento, utilice solamente cables blindados.

#### ② Salidas para los canales izquierdo y derecho (OUT L, OUT R)

Las salidas OUT L y OUT R se caracterizan por tomas fono con un nivel nominal de salida de  $-10$  dBV. La conversión digital a analógica se caracteriza por técnicas de sobremuestreo de 8 veces de 20 bits. Para obtener el máximo rendimiento, utilice solamente cables blindados.

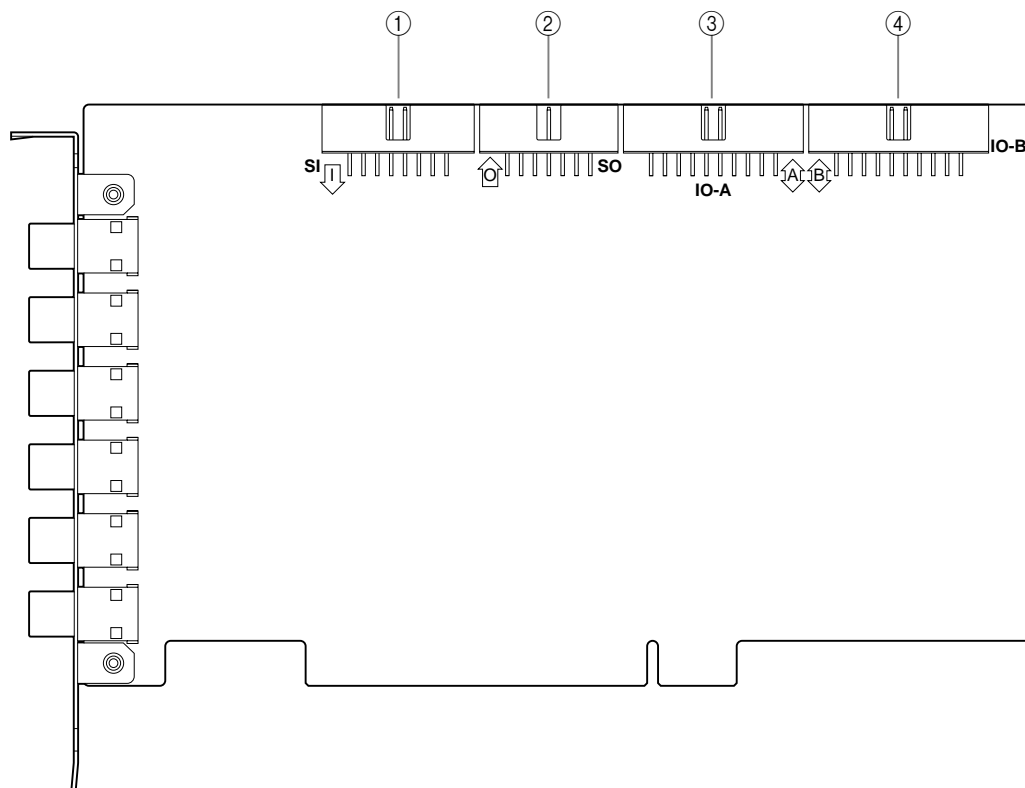
#### ③ Entrada digital (D IN)

Esta conexión fono de tipo coaxial de dos canales acepta audio digital con una longitud de onda máxima de 24 bits. Utilice cables conectores con una impedancia nominal de 75 ohmios.

#### ④ Salida digital (D OUT)

Esta conexión fono de tipo coaxial de dos canales da salida a audio digital con una longitud de onda máxima de 24 bits. Utilice cables conectores con una impedancia nominal de 75 ohmios.

## Parte interna



### ① Conector de entrada en serie (SI)

Cuando haya instalado dos tarjetas DS2416, este conector tendrá que conectarlo al conector “SO” de la otra tarjeta utilizando el cable con conectores de 14 a 16 contactos. Las tarjetas de sonido que soporten DS2416 podrán conectarse directamente a las entradas secundarias del mezclador a través de este conector.

### ② Conector de salida en serie (SO)

Cuando haya instalado dos tarjetas DS2416, este conector tendrá que conectarlo al conector “SI” de la otra tarjeta utilizando el cable con conectores de 14 a 16 contactos.

### ③ Conector de entrada/salida A (IO-A)

Este conector conecta la primera unidad de expansión de audio AX44 opcional.

### ④ Conector de entrada/salida B (IO-B)

Este conector conecta la segunda unidad de expansión de audio AX44 opcional.

## Instalación de la DS2416

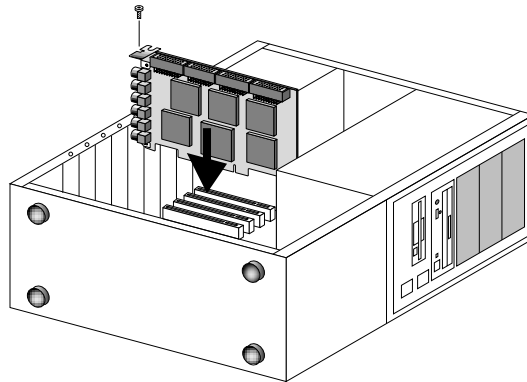
La DS2416 deberá instalarse en una ranura de expansión PCI y no requiere ajustes especiales de puentes ni interrupciones.

Con respecto a los detalles sobre la instalación de tarjetas PCI, consulte el manual de su PC.

- 1** Desconecte la alimentación de su PC y desenchufe el cable de alimentación.
- 2** Extraiga la cubierta de su PC.
- 3** Elija una ranura PCI vacía para la DS2416, y quite el tornillo de la cubierta de la ranura de expansión.

Para evitar daños debidos a la electrostática, antes de instalar la DS2416, toque una parte metálica puesta a tierra de su PC, como la caja de la fuente de alimentación.

- 4** Alinee cuidadosamente e inserte la DS2416 en la ranura PCI.
- 5** Asegure la DS2416 utilizando el tornillo previamente quitado.



*Importante: La DS2416 se conecta a masa a través de un tornillo de fijación de la tarjeta de expansión, motivo por el que tendrá que fijarla con seguridad.*

- 6** Vuelva a colocar la cubierta de su PC.
- 7** Conecte la alimentación de su PC.
- 8** Cuando aparezca el cuadro de diálogo Nuevo hardware encontrado, seleccione "Controlador de un disco proporcionado por el fabricante de hardware", y después haga clic en Aceptar.
- 9** Cuando aparezca el cuadro de diálogo Instalar desde disco, inserte el disquete del controlador en la unidad de disquete, y después haga clic en Aceptar.
- 10** Cuando aparezca el cuadro de diálogo de reinicio, reinicie su PC.



## Prueba de la DS2416

Con la DS2416 se incluye un programa de prueba para que usted pueda asegurarse de que la tarjeta, el controlador, y los DSP funcionan correctamente.

### Instalación del programa de prueba

- 1 Inserte el disquete suministrado en la unidad de disquete.
- 2 Haga doble clic en Setup.exe y siga las indicaciones de la pantalla. Se instalará el programa de prueba y sus archivos asociados.

### Utilización del programa de prueba

- 1 Desde el menú de inicio, seleccione Programas, DSP Factory, y ds2416ck.exe.
- 2 Cuando en la pantalla aparezca la ventanilla del programa de prueba, haga clic en el botón CHECK START para realizar las pruebas.

El programa de prueba comprobará:

1. Cuántas tarjetas DS2416 están instaladas.
2. Si los controladores de las tarjetas DS2416 están instaladas.
3. Si los chips DSP están funcionando correctamente.

Los resultados aparecerán a medida que finalice cada prueba. Si todas las pruebas resultan satisfactorias, podrá producirse un tono de prueba de onda senoidal a través las salidas OUT L, OUT R, D OUT. Y 1 a 4 de cualquier AX44 conectado haciendo clic en el botón de tono de prueba.

Si una prueba falla, aparecerá un mensaje de aviso.

Si vuelve a fallar la prueba del controlador después de haber realizado el reinicio, pruebe a reinstalar el controlador.

Si la prueba del DSP produce un mensaje “DSP ERROR” o “DSP NG”, es posible que la DS2416 tenga un problema de hardware, y usted tendrá que ponerse en contacto con su proveedor Yamaha.

- 3 Haga clic en el botón EXIT para salir del programa de prueba.

---

## Relojes de palabra

A diferencia de los equipos de audio analógicos, los digitales tendrán que estar sincronizados cuando se transfieran señales de audio digitales de un dispositivo a otro, ya que de lo contrario tales señales no podrían leerse correctamente y podrían producirse ruidos o chasquidos. La sincronización se logra utilizando lo que se denomina reloj de palabra, que es una señal de reloj para sincronizar todas las palabras de audio digital de un sistema de audio. Tenga en cuenta que los relojes de palabra no son iguales que el código de tiempo SMPTE o MIDI, que se utiliza para sincronizar grabadoras de audio, secuenciadores MIDI, etc. La sincronización con reloj de palabra se refiere a la sincronización de circuitos de proceso de audio digital que se encuentran en el interior de cada dispositivo de audio digital.

En un sistema de audio típico, un dispositivo funciona como reloj de palabra maestro y el resto de los dispositivos funcionan como esclavos del reloj de palabra, a fin de sincronizarse con el reloj de palabra maestro. Si la DS2416 es el único dispositivo de audio digital de su sistema, no necesitará realizar ningún ajuste especial, ya que se sincronizará con su propio reloj de palabra interno. Sin embargo, si añade una grabadora de cinta audiodigital o de una grabadora multipista digital, tendrá que decidir qué dispositivo utilizar como reloj de palabra maestro y qué otros utilizar como esclavos. Incluso aunque haya hecho esto, y configurado su sistema, puede resultar necesario a veces cambiar los ajustes del reloj de palabra para, por ejemplo, grabar de un reproductor de cinta audiodigital o de discos compactos.

Los relojes de palabra funcionan con la misma frecuencia que la de muestreo. La DS2416 genera su propio reloj de palabra de 44,1 kHz (la frecuencia de muestreo de las normas industriales para discos compactos de música) o 48 kHz, y podrá utilizarse como reloj de palabra maestro. También podrá utilizarse como reloj de palabra esclavo sincronizado con otro reloj de palabra externo con una frecuencia comprendida entre 30,08 kHz y 50,88 kHz (32 kHz  $-6\%$  a 48 kHz  $+6\%$ ). La conversión de la frecuencia de muestreo de las señales de audio digitales es un proceso complicado, motivo por el que lo mejor es utilizar una frecuencia de muestreo de 44,1 kHz, especialmente si su trabajo está destinado a la distribución de discos compactos.

Las señales de reloj de palabra podrán distribuirse a través de cables dedicados o derivarse de conexiones de audio digital estándar, tales como las de D IN y D OUT de la DS2416. Con las conexiones de audio digital coaxiales, se transmitirá una señal de reloj de palabra incluso aunque no esté presente señal de audio. La DS2416 también puede transmitir y recibir señales de reloj de palabra a través de los conectores SI, SO, IO-A, e IO-B.

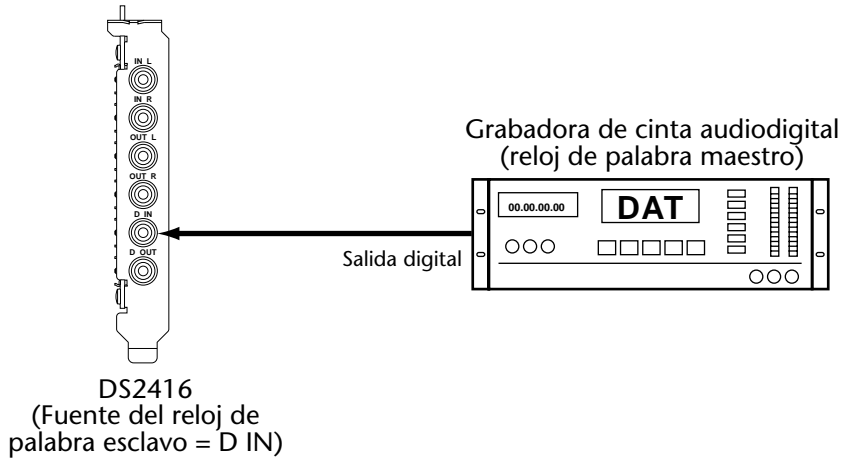
En un sistema en el que todos los dispositivos compartan un reloj de palabra común, es muy importante que la alimentación de tales dispositivos esté conectada incluso aunque no estén utilizándose. Active en primer lugar el reloj de palabra maestro y después los esclavos. Cuando desconecte la alimen-

tación del sistema, hágalo primero en los esclavos, y después en el maestro. Antes de iniciar una sesión de grabación, cerciórese de que los relojes de palabra esclavos estén sincronizados con el maestro.

Algunos dispositivos poseen indicadores en el panel frontal para mostrar cuándo están sincronizados. Consulte el manual de instrucciones de cada dispositivo.

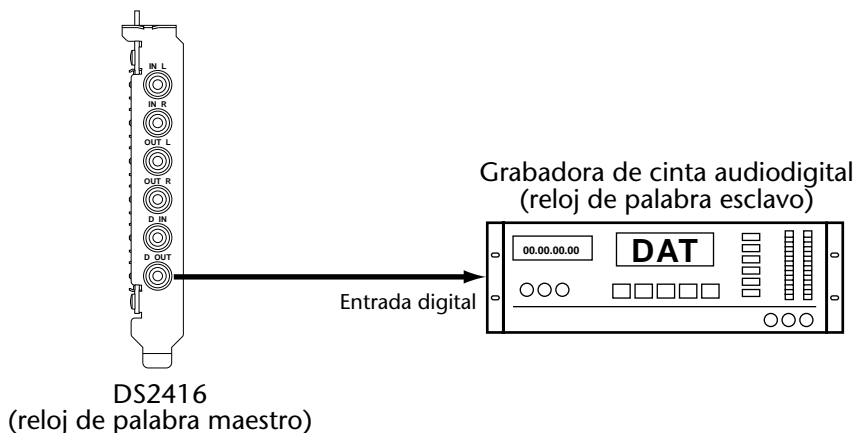
## Grabación digital a la DS2416

En este ejemplo, se ha conectado una grabadora de cinta audiodigital al conector DIN de la DS2416 para grabación digital. La DS2416 trabaja como reloj de palabra esclavo, obteniendo su reloj de palabra de la conexión a D IN, y la grabadora de cinta audiodigital trabaja como reloj de palabra maestro.



## Grabación digital en una grabadora de cinta audiodigital

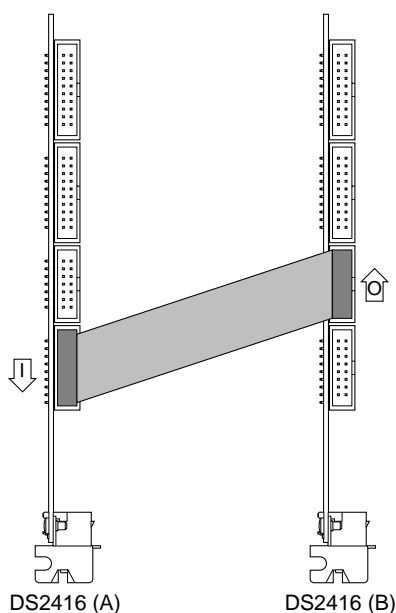
En este ejemplo, el conector D OUT del la DS2416 está conectado a la entrada digital de una grabadora de cinta audiodigital para grabación con mezcla. La DS2416 trabaja como reloj de palabra maestro y la grabadora de cinta audiodigital como reloj de palabra esclavo. Cuando seleccione la entrada digital de la grabadora de cinta audiodigital como fuente de grabación, dicha grabadora se sincronizará con la señal de reloj de palabra procedente de la DS2416. En algunas grabadoras de cinta audiodigital, la fuente del reloj de palabra es posible que tenga que ajustarse por separado. Consulte el manual de instrucciones suministrado con su grabadora de cinta audiodigital.



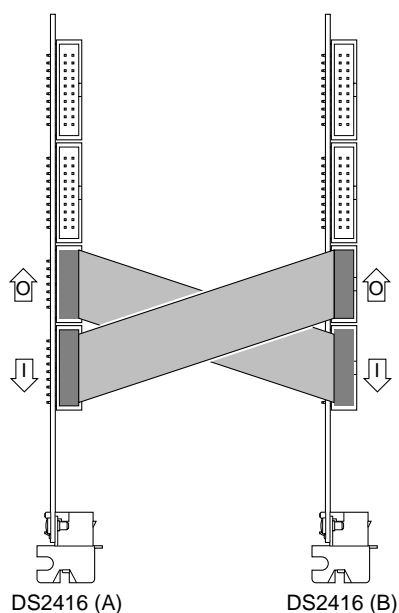
## Conexión en cascada de tarjetas DS2416

Utilizando los conectores “SI” y “SO” podrá conectar digitalmente en cascada dos tarjetas DS2416 para realizar la mezcla de 48 canales.

- 1 Instale la segunda DS2416 en una ranura PCI adyacente a la de la primera DS2416, como se ha explicado anteriormente.
- 2 Utilizando los cables con conectores de 14 a 16 contactos, conecte los conectores “SI” y “SO” como se muestra a continuación.



En este ejemplo, los buses de las DS2416 (A) y (B) están vinculadas para la mezcla de 48 canales. Los buses individuales de la DS2416 (B) pueden aplicarse alternativamente a las entradas secundarias de la DS2416 (A).



En este ejemplo, los buses de las DS2416 (A) y (B) están vinculadas para la mezcla de 48 canales. Los buses individuales de cualquier DS2416 pueden aplicarse alternativamente a la otra DS2416.

- 3 Vuelva a colocar la cubierta de su PC.

## Preguntas y respuestas sobre la DS2416

**P** ¿Qué es un DSP?

**R** Un DSP, o procesador de señal digital, es un procesador optimizado para el proceso de datos en tiempo real. El DS2416 se caracteriza por el mismo DSP que las consolas de mezclas digital 02R y 03D y los procesadores de efectos ProR3 y REV500 Yamaha.

**P** ¿Con qué longitud de onda se procesa la señal de audio digital?

**R** El ecualizador se caracteriza por una vía de datos de 44 bits, coeficiente de 32 bits, y acumulador de 54 bits. Todas las demás secciones del mezclador se caracterizan por una vía de datos de 32 bits, coeficiente de 24 bits, y acumulador de 42 bits.

**P** ¿Tiene la DS2416 memoria incorporada?

**R** Sí, 3 megabytes, que se utiliza para entrada y retardos de efectos.

**P** ¿Cuánto tiempo de grabación está disponible?

**R** El tiempo depende del software, la longitud de onda, y el espacio del disco duro. En general, dos canales de audio digital de 16 bits utilizan 10,6 MB/min.

**P** ¿Cómo puedo sincronizar la DS2416 con el reloj de MIDI, o el código de tiempo de MTC, o SMPTE?

**R** Si la interfaz del software y del código de tiempo soportan el código de tiempo, también la soportará la DS2416.

**P** ¿Puede controlarse la DS2416 a través de MIDI?

**R** Si el software de control las soporta, sí.

**P** ¿Qué tal son los procesadores de efectos incorporados?

**R** Igual que los utilizados en los procesadores de efectos ProR3 y REV500 Yamaha.

**P** ¿Es posible utilizar la DS416 simultáneamente con otra tarjeta de entrada/salida Sound Blaster o Korg 1212?

**R** Sí.

## Solución de problemas

Problema	Solución
La DS2416 no trabaja.	Compruebe si la DS2416 está insertada en la ranura de bus PCI correcta.
	Compruebe si las entradas y salidas de la DS2416 están correctamente asignadas utilizando el software de control.
	En PC antiguos, alguna ranuras PCI pueden no funciona como bus maestro, en cuyo caso la DS2416 no trabajará con ellas. Para más detalles, consulte el manual de instrucciones de su PC.
	Algunas tarjetas PCI pueden tener conflictos con la DS2416. Pruebe extrayendo las tarjetas o intercambiando la ranura con la DS2416.
Se oye un zumbido de bajo nivel.	La DS2416 se conecta a masa a través del tornillo de fijación de la tarjeta, motivo por el que tendrá que asegurarse de que ha quedado firmemente fijada.

## Programas de efectos

La DS2416 ofrece los programas de efectos siguientes. Los parámetros detallados de los efectos se muestran en la página 149.

### Efectos de tipo de reverberación

Tipo	Descripción
<b>REVERB HALL</b>	Reverberación que simula un espacio grande como una sala de conciertos.
<b>REVERB ROOM</b>	Reverberación que simula la acústica de un espacio menor que el de REVERB HALL.
<b>REVERB STAGE</b>	Reverberación diseñada para vocalistas.
<b>REVERB PLATE</b>	Simulación de una unidad de reverberación de placa de metal, que produce una sensación de reverberación de borde duro.
<b>EARLY REF.</b>	Efecto que aísla solamente los componentes de reflexiones cercanas (ER) de la reverberación. Con esto se produce un efecto de reverberación más brillante.
<b>GATE REVERB</b>	Tipo de ER diseñado para utilizarse como reverberación con compuerta.
<b>REVERSE GATE</b>	Tipo de ER con reproducción inversa.

### Retardos

Tipo	Descripción
<b>MONO DELAY</b>	Retardo monoaural con operación sencilla. Utilícelo cuando no desee usar ajustes complicados de parámetros.
<b>STEREO DELAY</b>	Retardo estéreo con canales izquierdo y derecho independientes.
<b>MOD.DELAY</b>	Retardo monoaural con modulación.
<b>DELAY LCR</b>	Retardo con tres derivaciones (canales izquierdo, central, y derecho)
<b>ECHO</b>	Retardo estéreo con parámetros adicionales para poder controlar con más detalle. La señal podrá retroalimentarse desde el canal izquierdo al derecho, y viceversa.



## Efectos de tipo modulación

Tipo	Descripción
CHORUS	Coro estéreo de tres fases.
FLANGE	Efecto de reborde bien conocido.
SYMPHONIC	Efecto propiedad de Yamaha que produce una modulación más rica y compleja que el coro.
PHASER	Enfasador estéreo con 2–16 etapas de desplazamiento de fase.
AUTO PAN	Efecto que mueve cíclicamente el sonido entre el canal izquierdo y el derecho.
TREMOLO	Trémolo
HQ.PITCH (Effect 2 solamente)	Solamente se desplaza el tono de una nota, pero se produce un efecto estable.
DUAL PITCH	Desplazamiento del tono estéreo con tonos de los canales izquierdo y derecho ajustados independientemente.
ROTARY	Simulación de altavoces giratorios.
RING MOD.	Efecto que modifica el tono aplicando modulación de amplitud a la frecuencia de entrada.
MOD.FILTER	Efecto que utiliza un un filtro de paso bajo para modular la frecuencia del filtro.

## Efectos de guitarra

Tipo	Descripción
DISTORTION	Distorsión
AMP SIMULATE	Simulador de amplificador de guitarra

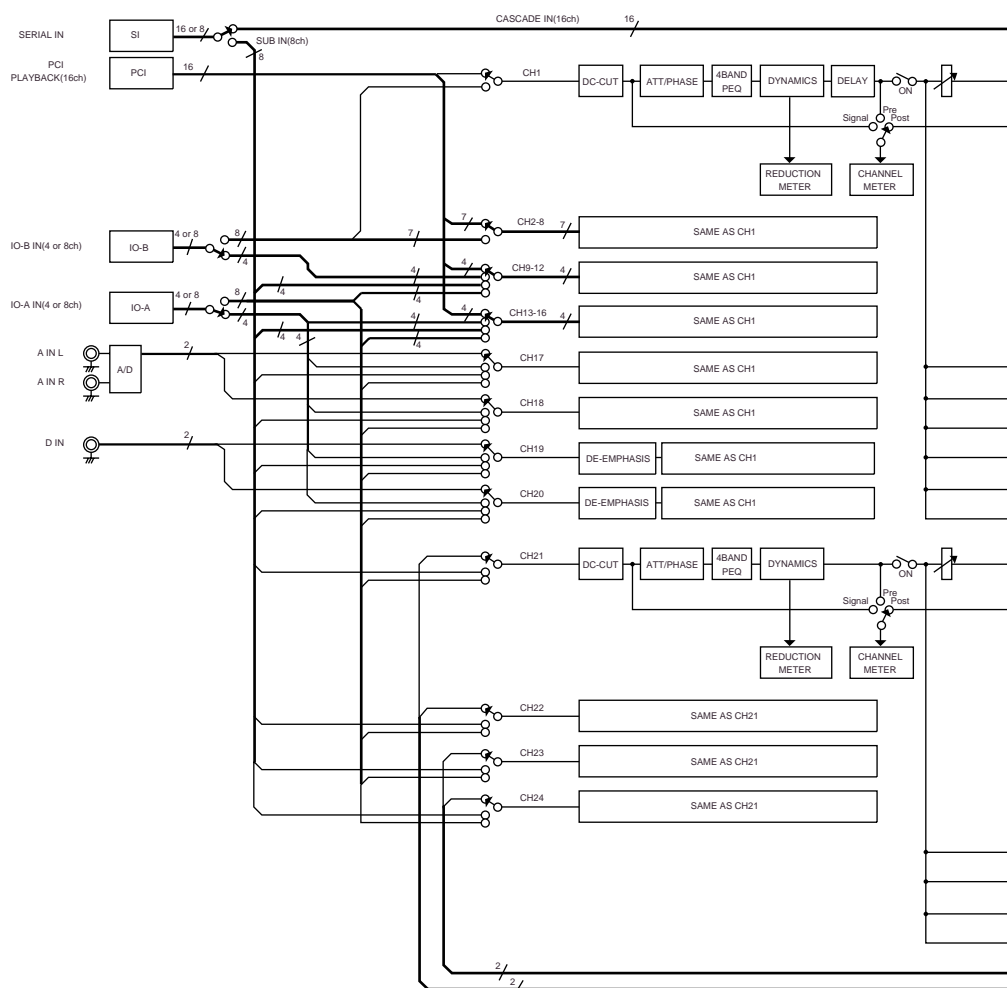
## Efectos dinámicos

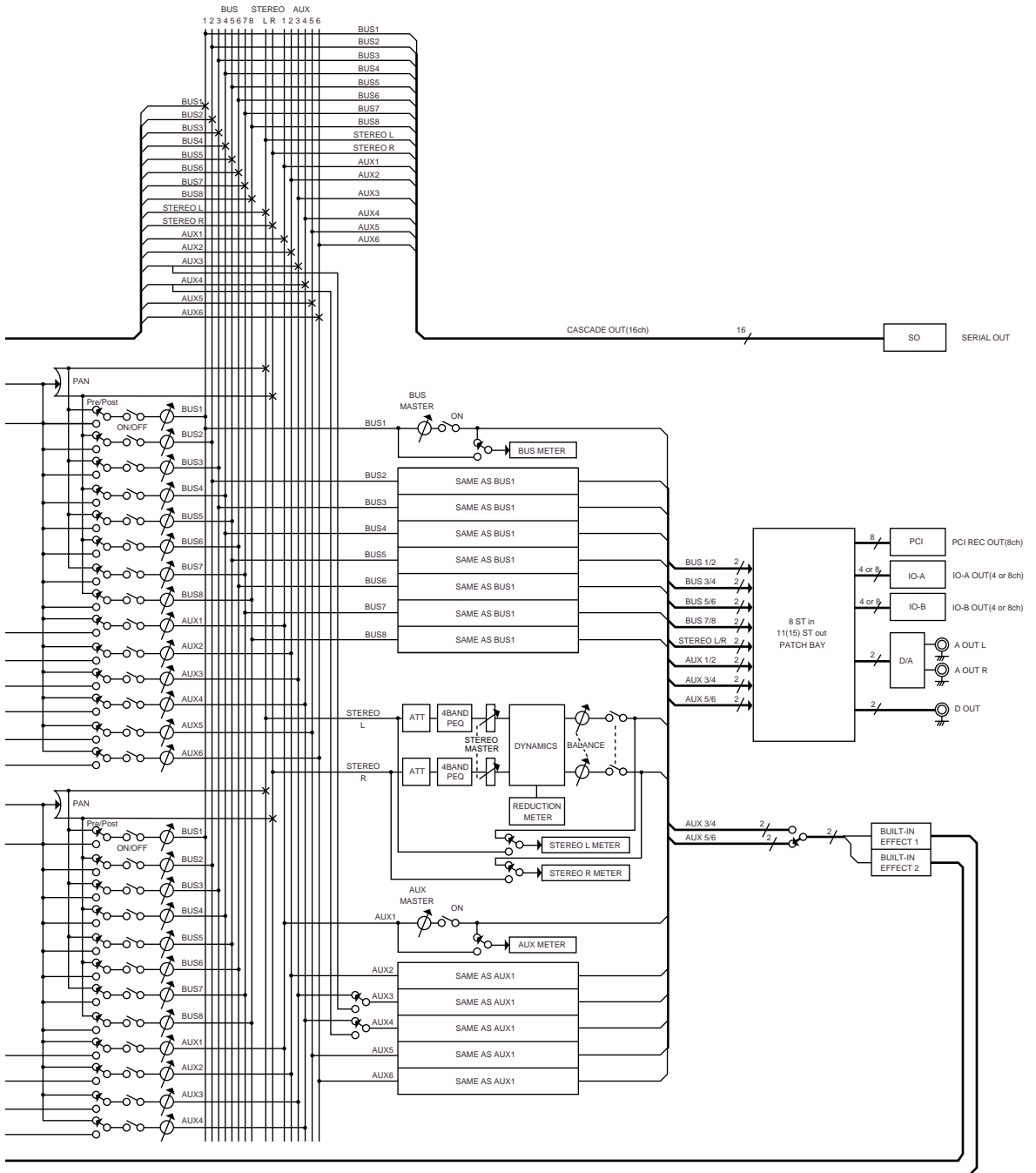
Tipo	Descripción
DYNA.FILTER	Filtro controlado dinámicamente
DYNA.FLANGE	Rebordeador controlado dinámicamente
DYNA.PHASER	Desplazador de fase controlado dinámicamente

**Efectos combinados**

<b>Tipo</b>	<b>Descripción</b>
<b>REV+CHORUS</b>	Reverberación y coro en paralelo
<b>REV-&gt;CHORUS</b>	Reverberación y coro en serie
<b>REV+FLANGE</b>	Reverberación y rebordeador en paralelo
<b>REV-&gt;FLANGE</b>	Reverberación y rebordeador en serie
<b>REV+SYMPHO.</b>	Reverberación y sinfonía en paralelo
<b>REV-&gt;SYMPHO.</b>	Reverberación y sinfonía en serie
<b>REV-&gt;PAN</b>	Reverberación y panoramización automática en paralelo
<b>DELAY+ER.</b>	Retardo y reflexiones cercanas en paralelo
<b>DELAY-&gt;ER.</b>	Retardo y reflexiones cercanas en serie
<b>DELAY+REV</b>	Retardo y reverberación en paralelo
<b>DELAY-&gt;REV</b>	Retardo y reverberación en serie
<b>DIST-&gt;DELAY</b>	Distorsión y retardo en serie

# Diagrama en bloques





## Especificaciones

### Generales

Frecuencia de muestreo	Interna	44,1 kHz, 49 kHz
	Interna con tono variable	41,45 a 50,88 kHz <sup>1</sup>
	Externa	30,08 a 50,88 kHz <sup>2</sup>
Retardo de señal (fs = 48 kHz)	A/D	620 μs, típica
	D/A	319 μs, típica
Distorsión armónica total <sup>3</sup> (fs = 48 kHz, +6 dBV, entrada a salida analógica)		Menos del 0,02% (20 Hz a 20 kHz)
Respuesta en frecuencia (fs = 48 kHz, +6 dBV, entrada a salida analógica)		20 Hz a 20 kHz, -3, +1 dB
Gama dinámica <sup>4</sup> (fs = 48 kHz)	D/A	Típicamente 94 dB
	A/D + D/A	Típicamente 93 dB
Ruido de salida residual <sup>4</sup> (entrada D/A = 0 digital)		Típicamente -88 dBV
Entradas	IN L, IN R	A/D con sobremuestreo de 128 veces de 20 bits
	D IN	Formato del usuario (Coaxial)
Salidas	OUT L, OUT R	D/A con sobremuestreo de 8 veces de 20 bits
	D OUT	Formato del usuario (Coaxial)
Efectos (Tono de gran calidad para el efecto 2 solamente)	Efecto 1	39 tipos
	Efecto 2	40 tipos
Alimentación		+5 V (1,5 A, como máx.) +12 V (150 mA, como máx.)
Consumo máximo		9,3 W
Temperatura	Funcionamiento	+10 a +40°C
	Almacenamiento	-20 a +55°C
Dimensiones (Al x An x Prf)		125,92 x 187,95 x 21,59 mm Tarjeta corta de altura variable PCI (5 V, 32 bits)
Peso		170 g
Accesorios suministrados		Disquete de controlador
		Cable con conectores de 14 a 16 contactos, 100 mm, x 1

1. 44,1 kHz ±6%, 48 kHz ±6%
2. 32 kHz -6% a 48 kHz +6%
3. Filtro de anchura de banda: ±0,1 dB (20 Hz a 20 kHz), -60 dB (más de 24,1 kHz)
4. Filtro de anchura de banda: igual que arriba más filtro de ponderación (IEC60651, curva A, Tolerancia: tipo 0)

## Canales de entrada

<b>Desacentuación (Canales 19 y 20)</b>		Automáticamente aplicada cuando sea necesario
<b>Corte de CC</b>		Automáticamente aplicado cuando sea necesario
<b>Atenuación</b>		-96 a +12 dB (109 pasos)
<b>Fase</b>		Normal/invertida
<b>Ecuador de 4 bandas (12 tipos de ecualización por banda)</b>	<b>Frecuencia</b>	20 Hz a 20 kHz (120 pasos, 12 puntos/octava)
	<b>Ganancia</b>	-18 a +18 dB (73 pasos, 0,5 dB/paso)
	<b>Q</b>	0,1 a 10,0 (41 pasos)
<b>Efectos dinámicos (6 tipos)</b>	<b>Umbral</b>	-54 a 0 dB (55 pasos, 1,0 dB/paso)
	<b>Ataque</b>	0 a 120 ms (121 pasos, 1 ms/paso)
	<b>Ganancia</b>	0 a 18 dB (37 pasos, 0,5 dB/paso)
	<b>Liberación</b>	5 ms a 42,3 s, fs = 48,0 s (160 pasos) 6 ms a 46,0 s, fs = 44,1 s (160 pasos)
	<b>Relación</b>	1,0 a infinito (16 pasos)
	<b>Rodilla</b>	Duro, 1, 2, 3, 4, 5 (6 pasos)
	<b>Margen</b>	-70 a 0 dB (71 pasos, 1,0 dB/paso)
	<b>Retención</b>	0,02 ms a 1,96 s, fs = 48,0 kHz (216 pasos) 0,02 ms a 2,13 s, fs = 44,1 kHz (216 pasos)
	<b>Extinción</b>	5 ms a 42,3 s, fs = 48,0 kHz (160 pasos) 6 ms a 46,0 s, fs = 44,1 kHz (160 pasos)
	<b>Anchura</b>	1 a 90 (90 pasos, 1,0 dB/paso)
	<b>Ganancia maestra</b>	-18 a 0 dB (37 pasos, 0,5 dB/paso)
	<b>Medidor de reducción</b>	-18 a 0 dB (12 pasos)
<b>Retardo (Canal 1 a 20)</b>		0 a 2.600 muestras (2.601 pasos) Activación/desactivación
<b>Activación/desactivación</b>		
<b>Regulador</b>		- infinito, -90 a +10 dB (128 pasos)
<b>Panoramización</b>		33 pasos
<b>Medidor de canales</b>		-72 a 0 dB (32 pasos)
		Pre/Post/Señal
		Retención de pico
		Extinción rápida/lenta
<b>Transmisiones de bus</b>	<b>Nivel</b>	- infinito, -120 a 0 dB (128 pasos)
	<b>Pre/Post</b>	(Pre-panoramización/post-panoramización)
	<b>Activación/desactivación</b>	

<b>Transmisiones auxiliares</b>	<b>Nivel</b>	– infinito, –120 a 0 dB (128 pasos)
	<b>Pre/Post</b>	(Pre-regulador de nivel/Post-regulador de nivel)
	<b>Activación/desactivación</b>	

## Salidas de bus 1–8

<b>Regulador de nivel maestro de bus</b>	– infinito, –120 a 0 dB (128 pasos)
<b>Activación/desactivación</b>	
<b>Medidor de bus</b>	–72 a 0 dB (32 pasos)
	Pre-regulador de nivel/Post-regulador de nivel
	Retención de pico
	Extinción rápida/lenta

## Transmisiones auxiliares 1–6

<b>Regulador maestro auxiliar</b>	– infinito, –120 a 0 dB (128 pasos)
<b>Activación/desactivación</b>	
<b>Medidor auxiliar</b>	–72 a 0 dB (32 pasos)
	Pre-regulador de nivel/Post-regulador de nivel
	Retención de pico
	Extinción rápida/lenta

**Salida estéreo**

<b>Atenuador</b>		-96 a +12 dB (109 pasos)
<b>Ecuador de 4 bandas (12 tipos de ecualización por banda)</b>	<b>Frecuencia</b>	20 Hz a 20 kHz (120 pasos, 12 puntos/octava)
	<b>Ganancia</b>	-18 a +18 dB (73 pasos, 0,5 dB/paso)
	<b>Q</b>	0,1 a 10,0 (41 pasos)
<b>Regulador de nivel maestro estéreo</b>		- infinito, -120 a 0 dB (128 pasos)
<b>Efectos dinámicos (6 tipos)</b>	<b>Umbral</b>	-54 a 0 dB (55 pasos, 1,0 dB/paso)
	<b>Ataque</b>	0 a 120 ms (121 pasos, 1 ms/paso)
	<b>Ganancia</b>	0 a 18 dB (37 pasos, 0,5 dB/paso)
	<b>Liberación</b>	5 ms a 42,3 s, fs = 48,0 kHz (160 pasos) 6 ms a 46,0 s, fs = 44,1 kHz (160 pasos)
	<b>Relación</b>	1,0 a infinito (16 pasos)
	<b>Rodilla</b>	Duro, 1, 2, 3, 4, 5 (6 pasos)
	<b>Margen</b>	-70 a 0 dB (71 pasos, 1,0 dB/paso)
	<b>Retención</b>	0,02 ms a 1,96 s, fs = 48,0 kHz (216 pasos) 0,02 ms a 2,13 s, fs = 44,1 kHz (216 pasos)
	<b>Extinción</b>	5 ms a 42,3 s, fs = 48,0 kHz (160 pasos) 6 ms a 46,0 s, fs = 44,1 kHz (160 pasos)
	<b>Anchura</b>	1 a 90 (90 pasos, 1,0 dB/paso)
	<b>Ganancia maestra</b>	-18 a 0 dB (37 pasos, 0,5 dB/paso)
<b>Medidor de reducción</b>	-18 a 0 dB (12 pasos)	
<b>Equilibrio</b>		33 pasos
<b>Medidor estéreo</b>		-72 a 0 dB (32 pasos)
		Pre-regulador de nivel/Post-regulador de nivel
		Retención de pico
		Extinción rápida/lenta



## Conexiones de entrada

Entrada	Fuente seleccionable
CH1	PCI PB1, IO-B2-1
CH2	PCI PB2, IO-B2-2
CH3	PCI PB3, IO-B2-3
CH4	PCI PB4, IO-B2-4
CH5	PCI PB5, IO-B2-5
CH6	PCI PB6, IO-B2-6
CH7	PCI PB7, IO-B2-7
CH8	PCI PB8, IO-B2-8
CH9	PCI PB9, IO-B1-1, SUB IN1, IO-A2-1
CH10	PCI PB10, IO-B1-2, SUB IN2, IO-A2-2
CH11	PCI PB11, IO-B1-3, SUB IN3, IO-A2-3
CH12	PCI PB12, IO-B1-4, SUB IN4, IO-A2-4
CH13	PCI PB13, IO-A1-1, SUB IN5, IO-A2-5
CH14	PCI PB14, IO-A1-2, SUB IN6, IO-A2-6
CH15	PCI PB15, IO-A1-3, SUB IN7, IO-A2-7
CH16	PCI PB16, IO-A1-4, SUB IN8, IO-A2-8
CH17	IN L, IO-A1-1, SUB IN1, IO-A2-1
CH18	IN R, IO-A1-2, SUB IN2, IO-A2-2
CH19	DIN L, IO-A1-3, SUB IN3, IO-A2-3
CH20	DIN R, IO-A1-4, SUB IN4, IO-A2-4
CH21	Effect1 Return L, SUB IN5, IO-A2-5
CH22	Effect1 Return R, SUB IN6, IO-A2-6
CH23	Effect2 Return L, SUB IN7, IO-A2-7
CH24	Effect2 Return R, SUB IN8, IO-A2-8

PCI PB: datos wave, etc., reproducción

IO-A1: dispositivo con 4 entradas/salidas conectado a IO-A.

IO-A2: dispositivo con 8 entradas/salidas conectado a IO-A.

IO-B1: dispositivo con 4 entradas/salidas conectado a IO-B.

IO-B2: dispositivo con 8 entradas/salidas conectado a IO-B.

## Conexiones de salida

Las fuentes 1 a 8 podrán conectarse a cualquier destino.

Fuente	Destino
1: BUS 1, 2	1: REC 1, 2
2: BUS 3, 4	2: REC 3, 4
3: BUS 5, 6	3: REC 5, 6
4: BUS 7, 8	4: REC 7, 8
5: AUX 1, 2	5: IO-A1-1, 2 (IO-A2-1, 2)
6: AUX 3, 4	6: IO-A1-3, 4 (IO-A2-3, 4)
7: AUX 5, 6	7: IO-B1-1, 2 (IO-B2-1, 2)
8: STL, STR	8: IO-B1-3, 4 (IO-B2-3, 4)
	9: AOUTL, AOUTR
	10: DOUTL, DOUTR
	11: IO-A2-5, 6
	12: IO-A2-7, 8
	13: IO-B2-5, 6
	14: IO-B2-7, 8

IO-A1: dispositivo con 4 entradas/salidas conectado a IO-A.

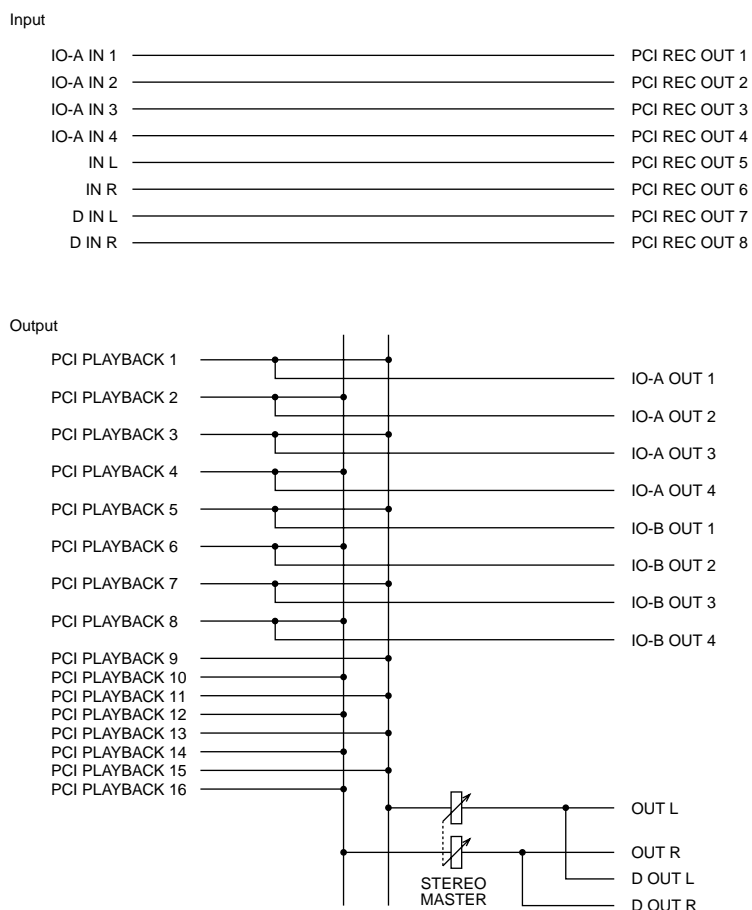
IO-A2: dispositivo con 8 entradas/salidas conectado a IO-A.

IO-B1: dispositivo con 4 entradas/salidas conectado a IO-B.

IO-B2: dispositivo con 8 entradas/salidas conectado a IO-B.

## Diagrama de conexiones fijas

Cuando utilice software de audio que no soporte el mezclador que esté utilizando la DS2416, las asignaciones de entrada y salida serán fijas, como se muestra a continuación.



**Entradas analógicas**

Conexión	Impedancia de carga real	Para utilización nominal con	Nivel de entrada		Conector
			Nominal	Máx. antes del descrestamiento	
IN L, IN R <sup>1</sup>	10 k $\Omega$	Líneas de 600 $\Omega$	-10 dBV <sup>2</sup> (316 mV)	+6 dBV (1,995 V)	Toma fono (desequilibrada)

1. Permite la conexión de convertidores A/D con sobremuestreo de 128 veces de 20 bits.
2. Donde dBV representa una tensión específica, 0 dBV hace referencia a 1 V eficaz.

**Salidas analógicas**

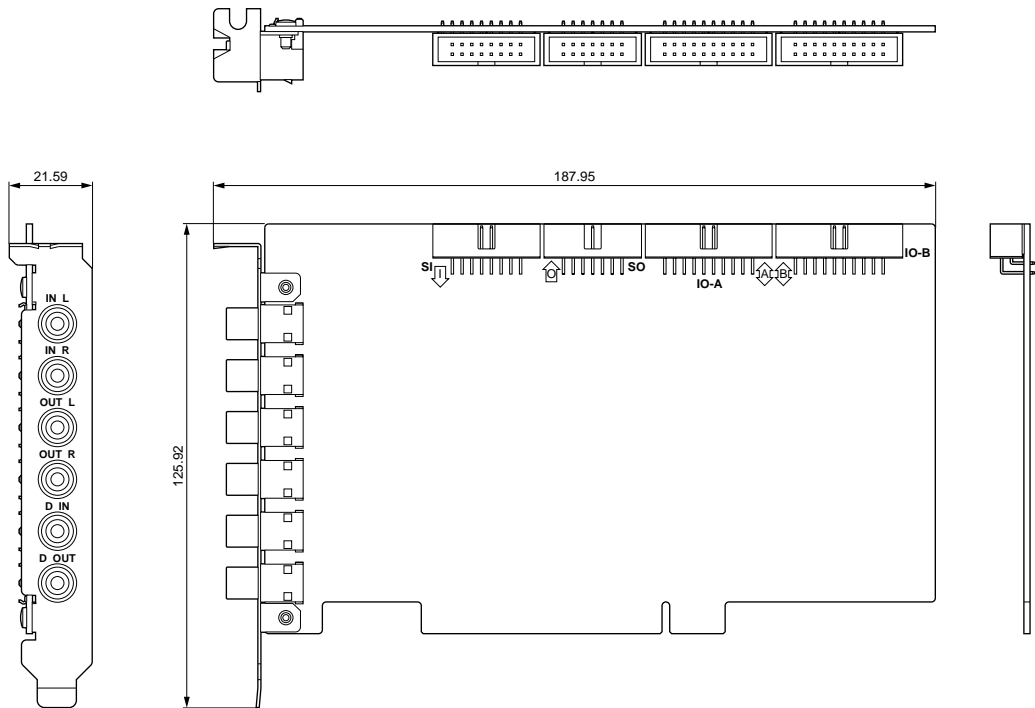
Conexión	Impedancia de carga real	Para utilización nominal con	Nivel de entrada		Conector
			Nominal	Máx. antes del descrestamiento	
OUT L, OUT R <sup>1</sup>	600 $\Omega$	Líneas de 10 k $\Omega$	-10 dBV <sup>2</sup> (316 mV)	+6 dBV (1,995 V)	Toma fono (desequilibrada)

1. Permite la conexión de convertidores D/A con sobremuestreo de 128 veces de 20 bits.
2. Donde dBV representa una tensión específica, 0 dBV hace referencia a 1 V eficaz.

### Entrada/salida digital

Conexión	Entrada /salida	Formato	Nivel	Conector
D IN	I	Consumidor IEC60958	0.5 Vpp, 75 $\Omega$	Toma fono (Desequilibrada)
D OUT	O	Consumidor IEC60958	0.5 Vpp, 75 $\Omega$	Toma fono (Desequilibrada)
IO-A, IO-B	I/O	Entradas de audio digital de 4 u 8 canales Salidas de audio digital de 4 u 8 canales 32 bits como máx./canal El formato depende de la otra parte	5 V CMOS	Conector de 20 contactos
SERIAL IN	I	Entradas de audio digital de 8 o 16 canales 32 bits como máx./canal El formato depende de la otra parte	5 V CMOS	Conector de 16 contactos
SERIAL OUT	O	Entradas de audio digital de 8 o 16 canales 32 bits como máx./canal El formato depende de la otra parte	5 V CMOS	Conector de 14 contactos

## Dimensiones



Unidad: mm

Las especificaciones están sujetas cambio sin previo aviso



# DS2416

DIGITAL MIXING CARD



---

取扱説明書

---

この装置は情報処理装置等電波障害自主規制協議会 (VCCI) の基準に基づくクラスB情報技術装置です。この装置は、家庭環境で使用することを目的としていますが、この装置が、ラジオやテレビジョン受信機に近接して使用されると、受信障害を引き起こすことがあります。この説明書に従って正しい取扱いをしてください。

## 目次

<b>はじめに</b> .....	124
ヤマハ DSP ファクトリー .....	124
DS2416 の機能について .....	124
システム環境 .....	125
動作環境 .....	125
互換ソフトウェア .....	125
<b>特長</b> .....	126
全般 .....	126
ミキサー部 .....	126
レコーダー部 .....	126
<b>各部の名称と機能</b> .....	127
端子部 .....	127
基板コネクター部 .....	128
<b>DS2416 の取り付け</b> .....	129
<b>DS2416 のテストプログラム</b> .....	130
テストプログラムのインストール .....	130
テストプログラムの使い方 .....	130
<b>ワードクロック</b> .....	131
DS2416 へのデジタル録音 .....	132
DAT へのデジタル録音 .....	132
<b>DS2416 カードのデジタルカスケード接続</b> .....	133
<b>DS2416 Q &amp; A</b> .....	134
<b>トラブルシューティング</b> .....	135
<b>内蔵エフェクト</b> .....	136
<b>ブロック図</b> .....	138
<b>仕様</b> .....	140
<b>Effects Parameters</b> .....	149



## ご使用上の注意

- \* 高温高湿、直射日光のあたる場所、ほこりの多い場所には本カードを置かないでください。
- \* 取り付けを行う直前までは、必ず静電気防止用の袋に保管しておいてください。
- \* 取扱いはカードを損傷しないよう、カードの端またはブラケットを持っていないに行ってください。
- \* カードの端にある接続部に万一触ってしまった場合は、乾いたティッシュペーパーで指紋を拭き取ってください。
- \* カードの上には物を置かないでください。また、他の物をカードの上に置きやすいような場所は避けてください。
- \* コンピューターのケースを外す前に、必ずコンピューターの電源を切り電源コードを抜いてください。
- \* 静電気による損傷を避けるため、カードを取扱う前に電源ケースなど接地されているコンピューターの金属部品に触ってください。

## 梱包内容

- \* DS2416 デジタルミキシングカード
- \* ドライバ、テストプログラムディスク
- \* 14 ピン / 16 ピン・ケーブル
- \* 本取扱説明書

本取扱説明書のどの部分のいかなる方法での複製・配布も、ヤマハ株式会社の文書による承認がない限り、これを禁じます。

IBM PCIはInternational Business Machines, Incの登録商標です。

Pentiumはインテル社の登録商標です。

Windows95はマイクロソフト社の登録商標です。

その他記載の社名および製品名は、各社の商標および登録商標です。

©1998 Yamaha Corporation. 著作権所有。

## はじめに

このたびはヤマハデジタルミキシングカードDS2416をお買い上げいただき、ありがとうございます。DS2416は8トラック同時録音、16トラック同時再生、24チャンネルミキシング、4バンドパラメトリックEQ、エフェクト、ダイナミクスという完全デジタル録音スタジオをお使いのパソコンで実現します。

従来のオーディオカードとは異なり、DS2416本体には5基ものDSPが搭載されており、コンピューターのメインプロセッサに負担をかけずにオーディオ処理が行えます。DS2416側で高品位エフェクト、EQ、ダイナミクスなどの処理をしている間も、メインプロセッサ側はタイミング管理その他の作業に集中できます。DS2416のパワフルな処理能力により、場合によってはオーディオソフトウェアで録音/再生可能なトラック数が増えることもあるでしょう。

DS2416はPC(Peripheral Component Interconnect)バスを採用し、簡単なインストール方法とデータの高速転送を実現しています。2枚のDS2416をデジタルカスケード接続して48チャンネルのミックスを行うことも可能です。この場合はそれぞれのDS2416で、20ビット/128倍オーバーサンプリングのA/Dコンバーターと20ビット/8倍オーバーサンプリングのD/Aコンバーターを備えたアナログの2チャンネル入出力、およびコアキシャル<sup>\*1</sup>のデジタル入出力を利用できます。また、オプションのオーディオエクステンションユニットAX44を使って入出力を拡張することも可能です。AX44には4系統の1/4"アナログ入力(うち2系統はマイクロフォンが使用可能)、4系統の1/4"アナログ出力、ステレオヘッドフォン端子が搭載されています。1枚のDS2416につきAX44を2基まで使用して、8系統のアナログ入出力が利用できます。

<sup>\*1</sup> 一般にS/PDIF、コアキシャルなどと呼ばれる業界標準のデジタルフォーマット (EIAJ1201、IEC60958規格)

## ヤマハDSP ファクトリー

ヤマハDSPファクトリーは、プロ用デジタルMTR/ミキシングをパソコンの世界に導入するためにヤマハが開発中の製品ラインアップです。DS2416は、このラインアップの核となるもので、AX44オーディオエクステンションユニットもこのラインアップのひとつです。この他アナログ/デジタルマルチチャンネル入出力製品を現在開発中です。

最新の情報は、ヤマハ・プロ用音響機器のホームページをご覧ください。

<<http://www.yamaha.co.jp/product/proaudio/>>

## DS2416の機能について

本取扱説明書に記述されているDS2416がもつ機能について、そのすべての機能が使用可能かどうかはご使用になるコンピューターやオーディオソフトウェアに依存します。

---

## システム環境

- \* IBM PC互換PCIバス搭載のWindows95がインストールされたコンピューター
- \* DS2416対応のオーディオソフトウェア

## 動作環境

DS2416は、Windows95をインストールしたIBM-PC互換機(PCIバス搭載機)で動作します。DS2416は5V仕様のPCIスロットを1基占有します。3.3V仕様のPCIスロットでは使用できません。DS2416はPCIバージョン2.1に準拠しており、IRQ(割り込み要求)を1つ使用しますが、DMA(ダイレクトメモリアクセス)は使用しません。なお、Plug and Playに対応しているため、IRQは自動設定されます。また、33MHzを越えるPCIバスには対応していません。

必要なプロセッサの種類、メモリー容量、ハードディスクの空き容量はご使用になるソフトウェアによって異なります。付属のデバイスドライバが占有するディスク上の容量は数100kバイトです。DS2416自体は8トラック同時録音、16トラック同時再生に対応していますが、実際の性能はご使用になるコンピューターやオーディオソフトウェアに依存します。

## 互換ソフトウェア

Windows95 Media Playerアクセサリなど、Windows MME (Multimedia Extensions)対応のソフトウェアであれば、DS2416を使って録音再生ができます。ただしミキシング機能を使用する場合は、DS2416のミキサーに対応したソフトウェアが必要です。

1998年4月現在で次のソフトウェア会社がDS2416に対応したソフトウェアを発売中または開発中ですので、詳しくは各ソフトウェア会社にお問い合わせください。

- \* C-Mexx <<http://www.c-mexx.com/>>
- \* Cakewalk <<http://www.cakewalk.com/>>
- \* Canam Computers <<http://www.canam-comp.fr/>>
- \* Emagic <<http://www.emagic.de/>>
- \* IQS (Innovative Quality Software) <<http://www.iqsoft.com/>>
- \* Musicator <<http://www.musicator.com/>>
- \* SEK'D <<http://www.sekd.com/CConsole/StudCcons.htm>>
- \* Sonic Foundry <<http://www.sfoundry.com/>>
- \* Steinberg <<http://www.steinberg.de/>>

DS2416に対応していないソフトウェアでもDS2416の基本性能は使用できますがその場合、ミキサーは簡易タイプになり入出力パッチングは固定となり変更できません。(詳しくは145ページの「固定パッチベイブロック図」を参照)Windows95のボリュームコントロールはステレオマスターフェーダーとミュートの設定に使用でき、レベルメーターは録音レベルを表示します。

## 特長

### 全般

- \* PCIバス対応カード(PCIバージョン2.1互換)
- \* Windows95のMME(マルチメディアエクステンション)に対応
- \* Plug and Playによるインストール可能
- \* ボード上に5基のDSPを搭載し、メインプロセッサの負担を軽減
- \* 20ビット / 128倍オーバーサンプリングのA/Dコンバーターを搭載した2系統のアナログ入力
- \* 20ビット / 8倍オーバーサンプリングのD/Aコンバーターを搭載した2系統のアナログ出力
- \* ステレオのデジタル入出力(コアキシャル)を搭載(20ビットまたは24ビット)
- \* オプションとしてマルチチャンネルのアナログ / デジタル入出力(オプチカル)を用意

### ミキサー部

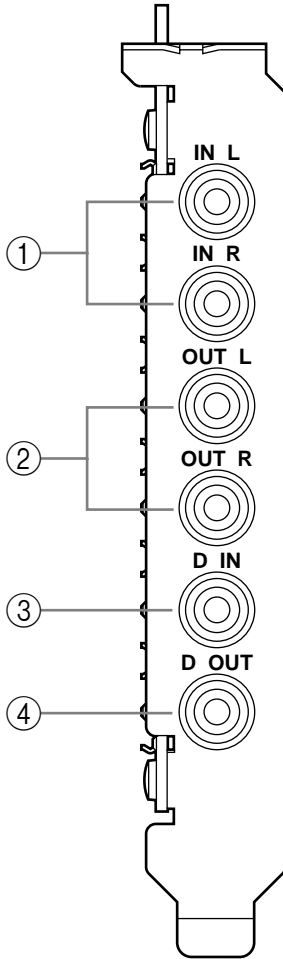
- \* インพุットチャンネル×24、バス出力×8、AUXセンド×6(うち2系統は内蔵エフェクトプロセッサへのエフェクトセンドとして使用)
- \* インพุットチャンネル21～24は、内蔵エフェクトからのエフェクトリターンとして動作
- \* すべてのインพุットチャンネルとステレオ出力に4バンドのパラメトリックEQを搭載
- \* すべてのインพุットチャンネルとステレオ出力にリダクションメーター付きダイナミクスプロセッサを搭載
- \* YAMAHA ProR3 / REV500相当のエフェクトプロセッサを2系統内蔵
- \* インพุットチャンネル1～20にインพุットディレイ機能を装備
- \* すべてのインพุットチャンネルとバス出力、AUXセンドにレベルメーターを装備
- \* 2台のDS2416をデジタルカスケード接続することで、48チャンネルのミキシングが可能
- \* 32ビットオーディオプロセッシング

### レコーダー部

- \* 8トラック同時録音
- \* 16トラック同時再生
- \* 最高32ビットの録音再生に対応(ソフトウェアに依存)
- \* 各トラックはサンプル精度の同期が可能
- \* コントロールソフトウェアを経由しての外部同期にも対応

## 各部の名称と機能

### 端子部



#### IN L, IN R端子

定格入力レベル - 10dBVのアナログRCAピン端子です。アナログ / デジタル変換は、20ビット・128倍オーバーサンプリングです。接続ケーブルはシールドタイプを使用してください。

#### OUT L, OUT R端子

定格入力レベル - 10dBVのアナログRCAピン端子です。デジタル / アナログ変換は、20ビット・8倍オーバーサンプリングです。接続ケーブルはシールドタイプを使用してください。

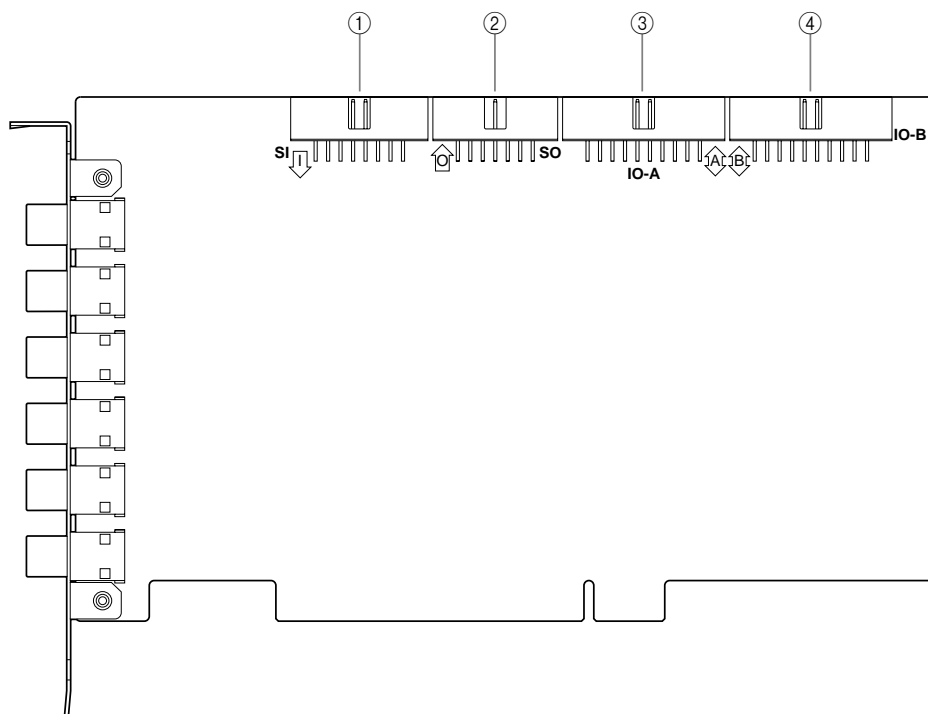
#### D IN端子

2チャンネルコアキシャルフォーマットのRCAピン端子です。ワード長24ビットのデジタルオーディオに対応しています。特性インピーダンス75Ωの接続ケーブルを使用してください。

#### D OUT端子

2チャンネルコアキシャルフォーマットのRCAピン端子です。ワード長24ビットのデジタルオーディオを出力します。特性インピーダンス75Ωの接続ケーブルを使用してください。

## 基板コネクタ部



### SI (シリアルイン) 端子 (⇩)

2枚のDS2416カードを取り付けるとき、この端子ともう一枚のカードのSQ (⇧) 端子とを同梱の14ピン / 16ピンのケーブルで接続します。DSP Factory対応のサウンドカードを直接この端子に接続すると、その出力信号がDS2416ミキサーのサブ入力に入ります。

### SQ (シリアルアウト) 端子 (⇧)

2枚のDS2416カードを取り付けるとき、この端子ともう一枚のカードのSI (⇩) 端子とを同梱の14ピン / 16ピンのケーブルで接続します。

### IO-A 端子 (⇩)

この端子は1台目のAX44オーディオ拡張ユニット (オプション) を接続します。

### IO-B 端子 (⇩)

この端子は2台目のAX44オーディオ拡張ユニット (オプション) を接続します。

## DS2416 の取り付け

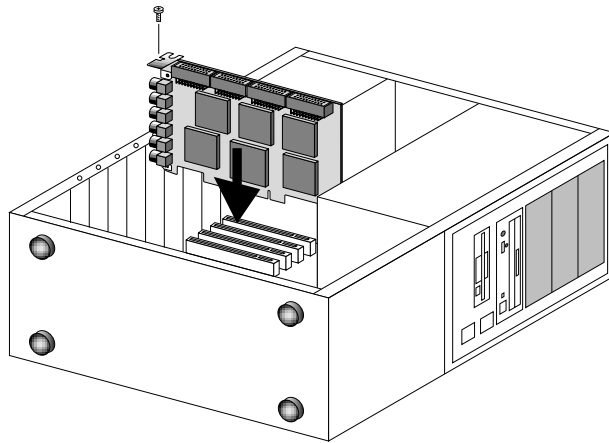
DS2416はコンピュータのPCI拡張スロットに取り付けます。特別なジャンパー設定や割り込み設定(IRQ)は不要です。

PCIカードの取り付けについての詳細は、お使いのコンピュータの取扱説明書をご参照ください。

- 1 コンピューターの電源を切り、電源コードを抜いてください。
- 2 コンピューターのカバーを取り外してください。
- 3 空いているPCIスロットをDS2416取り付け用を選び、そのカバーと止めているネジを外してください。

静電気による損傷を避けるため、カードを取り扱う前に電源ケースなどアースされているコンピュータの金属部品に触ってください。

- 4 PCIスロットにDS2416をていねいに挿入してください。
- 5 先ほど外したネジを使ってDS2416を固定してください。



**注意:**DS2416はこの固定ネジでアースされますので、必ずしっかりと締めてください。

- 6 コンピューターのカバーを取り付けてください。
- 7 コンピューターの電源を入れてください。
- 8 [新しいハードウェア]ダイアログボックスが表示されたあと自動で[デバイスドライバウィザード]ダイアログボックスが表示されます。ドライバのフロッピーディスクをフロッピーディスクドライブに挿入し、[次へ]をクリックします。
- 9 “YAMAHA DS2416 Sound System”と表示されたら[完了]をクリックします。
- 10 再起動を促すメッセージが表示されますので再起動します。  
(上記手順8、9はWindows95のrevisionがOSR2の場合です。バージョンによっては多少の違いがあります。)

## DS2416 のテストプログラム

付属のテストプログラムを使ってDS2416カード、ドライバ、カード上のDSPが正しく機能しているかチェックすることができます。

### テストプログラムのインストール

- 1 付属のフロッピーディスクをフロッピーディスクドライブに挿入します。
- 2 Setup.exeをダブルクリックし、画面メッセージに従い操作します。  
テストプログラムとDS2416が動作するために必要なファイルがインストールされます。

### テストプログラムの使い方

- 1 スタートメニューからプログラム、DSP Factoryそしてds2416ck.exeを選びます。
- 2 Test programウィンドウが表示されたらCHECK STARTボタンをクリックします。テストプログラムが動作します。  
テストプログラムは以下をチェックします。
  1. 何枚のDS2416カードがインストールされているか
  2. DS2416ドライバがインストールされているか
  3. カード上のDSPが正しく機能しているか

それぞれのチェックが終了するたびに結果を表示します。

全チェックに問題がなければテストボタンをクリックすると、サイン波のテストトーンがOUT L、OUT R、D OUTそしてAX44が接続されている出力1～4のそれぞれより出力されます。

チェックが正しく行われない場合は、表示されるメッセージに従ってください。

ドライバのチェック時にリスタートを促すメッセージが出てリスタートしても、再度同じメッセージが表示されたときは、ドライバをインストールし直してください。

DSPのチェック時に“DSP ERROR ”や“DSP NG ”のメッセージが表示された場合はハードウェアに問題があります。販売店またはヤマハサービスセンターへお問い合わせください。

- 3 EXITボタンをクリックしてテストプログラムを終了します。



## ワードクロック

デジタルオーディオ機器ではオーディオ信号を機器間で転送するときには必ず信号を同期させることが必要です。これはアナログオーディオ機器とは大きく異なる点で、これを行わないとデータが正しく受信されなかったり、ノイズが生じたりします。このデジタル機器の同期にはワードクロックと呼ばれる同期信号を使用します。これはシステム内のデジタルオーディオワードをすべて同期させる信号です。ワードクロックは、レコーダーの同期に使われるSMPTEタイムコードやMIDIシーケンサーの同期に使われるMIDIタイムコードとは異なり、各オーディオ機器内でデジタルオーディオを処理する回路の同期をとるためのものです。

通常は1台のデジタルオーディオ機器がワードクロックのマスターとなりワードクロックを発信し、他の機器がスレーブとなってこれを受信します。これでマスター機器とスレーブ機器が同期します。システム内でDS2416が唯一のデジタルオーディオ機器の場合、DS2416は内蔵ワードクロックを使用するので特別なワードクロック設定は不要です。ところがDATレコーダーやデジタルMTRをシステムに加えると、まずどの機器をワードクロックのマスター、スレーブにするかを決定することが必要です。この指定を行ってシステムのワードクロック設定を済ませてからも、DATやCDプレーヤーから録音する時など、特定の場合にワードクロックの設定を変更する必要があります。

ワードクロックの周波数は、選択されているサンプリング周波数と同じです。DS2416の内蔵ワードクロックジェネレーターは、音楽CDなどの業界標準のサンプリング周波数である44.1kHzまたは48kHzに対応できるので、DS2416をワードクロックのマスターとして設定できます。また、周波数が30.08kHz～50.88kHz(32kHz - 6%～48kHz + 6%)の範囲の外部ワードクロックに対し、DS2416を同期させることも可能です。デジタルオーディオのサンプリング周波数の変換は複雑な工程なので、特にCD用に音楽を作成する場合は44.1kHzを使用することをお勧めします。

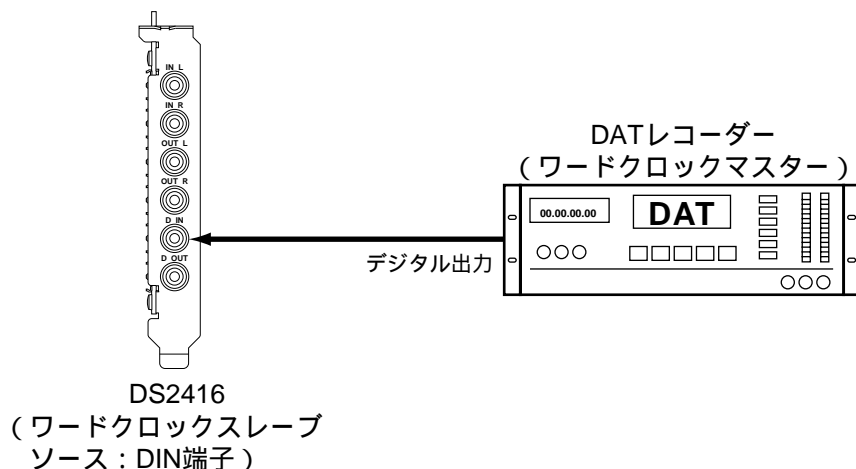
ワードクロック信号は専用のケーブルで分配したり、DS2416のD IN端子、D OUT端子のような標準のデジタルオーディオ信号<sup>\*1</sup>で送受信します。このデジタルオーディオフォーマットでは、オーディオ信号がなくてもワードクロック信号を送信することができます。DS2416ではこの他にSI端子、IO-A端子、IO-B端子でワードクロック信号を受信し、SO端子からはワードクロック信号を送信することができます。

各機器で同一のワードクロックを共有するシステムでは、たとえ使用しない機器があっても、必ずすべての機器の電源をオンにすることが重要です。ワードクロックのマスターとなる機器の電源を最初に入れ、次にスレーブ機器の電源を入れます。電源を切るときは逆にスレーブ機器から順に電源を切ってください。録音や演奏を始める前に、ワードクロックのスレーブ機器がマスター機器に同期していることを確認してください。大半の機器ではワードクロックに同期しているかどうかを表示するインジケーターがフロントパネルにあります。詳細は該当機器の取扱説明書をご参照ください。

<sup>\*1</sup> 一般にS/PDIF、コアキシャルなどと呼ばれてる業界標準のデジタルフォーマット (EIAJ1201、IEC60958規格)

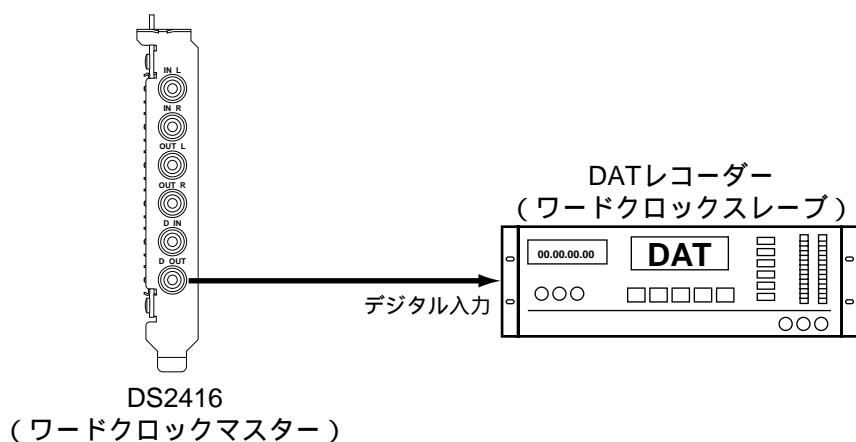
## DS2416 へのデジタル録音

DATレコーダーをDS2416のD IN端子に接続してデジタル録音を行う例です。DS2416はワードクロックのスレーブ、DATはマスターにそれぞれ設定します。



## DAT へのデジタル録音

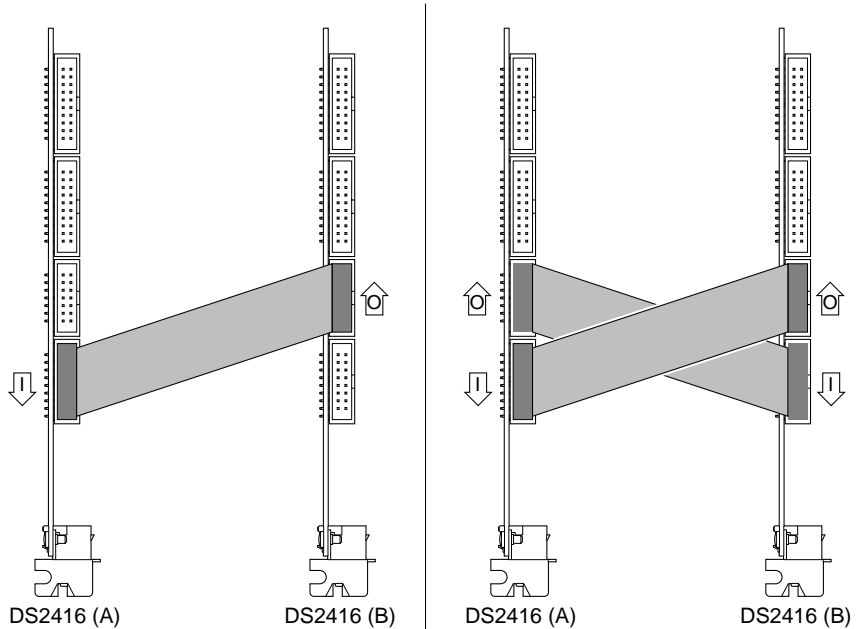
DS2416のD OUT端子をDATレコーダーのデジタル入力に接続してデジタルミックスダウン録音を行う例です。DS2416はワードクロックのマスター、DATはスレーブに設定します。DATレコーダーのデジタル入力を録音ソースとして選ぶと、DATはDS2416から入力されるワードクロック信号に同期します。DATレコーダーの種類によっては、ワードクロックソースを別個に設定することが必要な場合もあります。お使いのDATレコーダーの取扱説明書をご参照ください。



## DS2416 カードのデジタルカスケード接続

2枚のDS2416カードのデジタル“S”(↓)端子と“SQ”(↑)端子を使用してデジタルカスケード接続を行えば、共通バス、48チャンネルミキシングが実現します。

- 1 すでに述べた要領で、1枚目のDS2416カードの隣のPCIスロットに、もう1枚のDS2416を取り付けてください。
- 2 同梱の14ピン / 16ピンケーブルを使用して“S”(↓)端子と“SQ”(↑)端子を接続します。



DS2416(A)と(B)のバスをリンクして48チャンネルミキシングを実現します。DS2416 (B)のそれぞれのバスが(A)のサブインプットへ送られます。

DS2416(A)と(B)のバスをリンクして48チャンネルミキシングを実現します。それぞれ(A)、(B)のバスは互いにもう一方のバスへ送られます。

- 3 コンピューターのカバーを取り付けてください。

## DS2416 Q & A

Q DSPとは？

A デジタルデータをリアルタイムで処理するために最適化されたデジタルシグナルプロセッサ(Digital Signal Processor)です。DS2416はヤマハデジタルミキサー02R、03DやデジタルエフェクターProR3、REV500と同じDSPが搭載されています。

Q デジタルオーディオ信号処理のワード長は？

A EQは44ビットデータ語長、32ビット係数、54ビットアキュムレータを搭載しています。その他のミキサー部は32ビットデータ語長、24ビット係数、42ビットアキュムレータを搭載しています。

Q DS2416の内蔵メモリーは？

A 3メガバイトで入力およびエフェクトディレイに使用します。

Q どれだけの録音時間が可能ですか？

A 使用するハードディスクの空き容量とソフトウェアとワード長によります。目安としてCD相当(16ビット・2チャンネル)で10.6メガバイト/1分程度の容量が必要です。

Q DS2416をMIDIクロック、MTCあるいはSMPTEタイムコードにどうやって同期させますか？

A アプリケーションおよびタイムコードインターフェースが外部タイムコードをサポートしていればDS2416は同期できます。

Q 内蔵エフェクトのクオリティは？

A ヤマハProR3やREV500のエフェクトプロセッサと同等です。

Q DS2416はサウンドブラスターやコルグの1212 I/Oカードと同時に使用できますか？

A できます。

## トラブルシューティング

トラブル	アドバイス
DS2416カードが動作しない。	DS2416カードがPCIバススロットに正しく挿入されていますか？
	ソフトウェアを使ってDS2416の入出力を正しく割り当てましたか？
	古いタイプのコンピューターではPCIスロットがバスマスターとしては機能せず、そのようなスロットにDS2416が取り付けられていると動作しません。詳細はコンピューターの取扱説明書をお読みください。
	PCIカードの中にはDS2416カードとコンフリクトを生じるものがあります。そのようなカードは取り外すか、DS2416カードとスロットを入れ替えてください。
低レベルのハムが聞こえる	DS2416は固定ネジでアースされますので、固定ネジをしっかり締めてください。

## 内蔵エフェクト

DS2416には以下のエフェクトプログラムが内蔵されています。エフェクトパラメーターの詳細は149ページに記載されています。

### リバーブ系のエフェクト

タイプ	エフェクトの効果
REVERB HALL	コンサ - トホ - ルなどの広い空間をシミュレ - トしたリバ - ブです。
REVERB ROOM	REVERB HALLよりも小さな空間(部屋)での響きをシミュレートしたリバ - ブです。
REVERB STAGE	ボ - カル用を意識したリバ - ブです。
REVERB PLATE	鉄板エコ - のシミュレ - ションです。硬めの残響感が得られます。
EARLY REF.	残響の初期反射音(ER)のみを取り出したエフェクトです。リバ - ブよりも派手な効果が得られます。
GATE REVERB	いわゆるゲ - トリバ - ブとして使うことを意識したERのタイプです。
REVERSE GATE	逆回転風のERタイプです。

### ディレイ系のエフェクト

タイプ	エフェクトの効果
MONO DELAY	シンプルな操作性のモノディレイです。複雑なパラメ - ター設定の必要がないときにお使いください。
STEREO DELAY	左右独立のステレオディレイです。
MOD.DELAY	モジュレ - ション付きのMONO DELAYです。
DELAY LCR	Lch, センターch, Rch, 3タップのディレイです。
ECHO	STEREO DELAYにさらに細かいパラメ - ターをコントロールできるようにしたものです。LchからRchまたRchからLchへのフィ - ドバックも可能です。

## モジュレーション系のエフェクト

タイプ	エフェクトの効果
CHORUS	3相のステレオコ - ラスです。
FLANGE	いわゆるフランジ効果が得られるエフェクトです。
SYMPHONIC	CHORUSよりも複雑でリッチな変調効果が得られるヤマハ独自のエフェクトです。
PHASER	2～16段の位相シフトを使ったステレオフェイザ - です。
AUTOPAN	同期的に左右に音像が移動するエフェクトです。
TREMOLO	同期的に音量が変化するエフェクトです。
HQ.PITCH (Effect2のみ)	1音のみのピッチシフトですが安定した効果が得られます。
DUAL PITCH	左右で別々の音程に設定できるステレオピッチシフトです。
ROTALY	ロ - タリ - スピ - カーのシミュレ - ションです。
RING MOD.	入力に高周波の振幅変調をかけて音程を変化させるエフェクトです。
MOD.FILTER	フィルターの周波数をLFOで変化させるエフェクトです。

## ディストーションのエフェクト

タイプ	エフェクトの効果
DISTORTION	入力音を歪ませるいわゆるディストーションです。
AMP SIMULATE	ギターアンプをシミュレートしたエフェクトです。

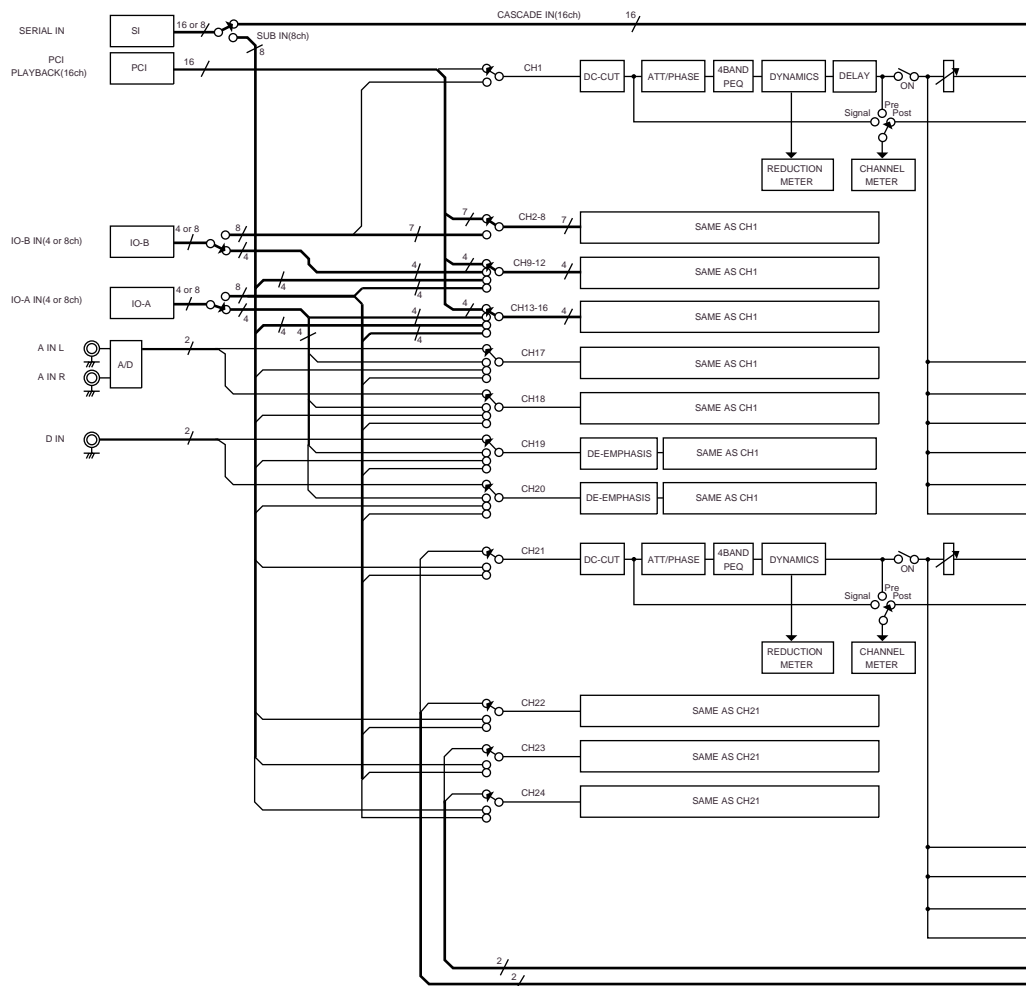
## ダイナミクス系のエフェクト

タイプ	エフェクトの効果
DYNA.FILTER	入力レベルに応じて周波数の動くフィルターです。
DYNA.FLANGE	入力レベルに応じてDelayTimeの動くフランジです。
DYNA.PHASER	入力レベルに応じてPhaseShiftPointの動くフェイザーです。

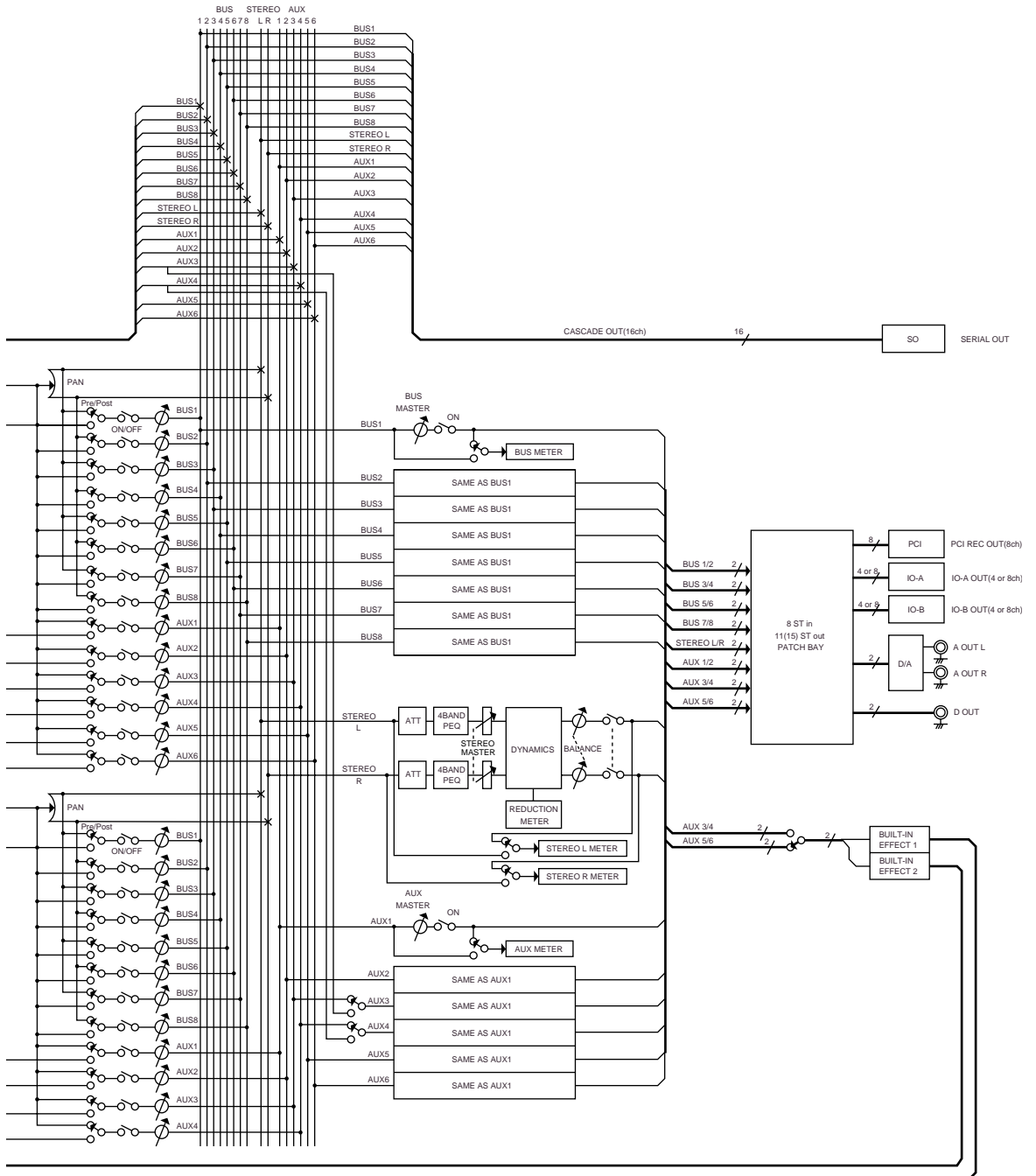
## 複合エフェクト

タイプ	エフェクトの効果
REV+CHORUS	REVERBとCHORUSをパラレル接続した複合エフェクトです。
REV->CHORUS	REVERBとCHORUSをシリーズ接続した複合エフェクトです。
REV+FLANGE	REVERBとFLANGEをパラレル接続した複合エフェクトです。
REV->FLANGE	REVERBとFLANGEをシリーズ接続した複合エフェクトです。
REV+SYMPHO.	REVERBとSYMPHONICをパラレル接続した複合エフェクトです。
REV->SYMPHO.	REVERBとSYMPHONICをシリーズ接続した複合エフェクトです。
REV->PAN	REVERBとAUTO PANをシリーズ接続した複合エフェクトです。
DELAY+ER.	DELAY(2 TAP)とEARLY REF.をパラレル接続した複合エフェクトです。
DELAY->ER.	DELAY(2 TAP)とEARLY REF.をシリーズ接続した複合エフェクトです。
DELAY+REV	DELAY(2 TAP)とREVERBをパラレル接続した複合エフェクトです。
DELAY->REV	DELAY(2 TAP)とREVERBをシリーズ接続した複合エフェクトです。
DIST->DELAY	DISTORTIONとMOD. DELAYをシリーズ接続した複合エフェクトです。

# ブロック図







# 仕様

## 一般仕様

サンプリング周波数	内部	44.1kHz、48kHz
	内部バリピッチ	41.45 ~ 50.88kHz <sup>3</sup>
	外部	30.08 ~ 50.88kHz <sup>4</sup>
シグナルディレイ (fs = 48kHz)	A/D	620 μs 標準
	D/A	310 μs 標準
全高調波歪 <sup>1</sup> (fs = 48kHz、+6dBV、アナログ入力 出力)		0.02%以下(20Hz ~ 20kHz)
周波数特性 (fs = 48kHz、+6dBV、アナログ入力 出力)		20Hz ~ 20kHz、-3、+1dB
ダイナミックレンジ <sup>2</sup> (fs = 48kHz)	D/A	94dB 標準
	A/D + D/A	93dB 標準
残留ノイズ <sup>2</sup> (D/A入力 = デジタル0)		-88dBV 標準
入力	IN L、IN R	20ビット・128倍オーバーサンプリング A/D
	D IN	民生用フォーマット(コアキシャル)
出力	OUT L、OUT R	20ビット・8倍オーバーサンプリング D/A
	D OUT	民生用フォーマット(コアキシャル)
エフェクト(HQ. Pitchタイプ: エフェクト2のみ)	エフェクト1	39タイプ
	エフェクト2	40タイプ
電源		+5V(最大1.5A) +12V(最大150mA)
最大消費電力		9.3W
使用環境	操作	+10 ~ +40
	設置	-20 ~ +55
最大外形寸法(高さ×長さ×奥行)		125.92×187.95×21.59mm
重量		170g
付属品		ドライバディスク
		14ピン / 16ピン 100mmケーブル×1

1. 帯域制限フィルター ±0.1dB(20Hz ~ 20kHz) - 60dB(24.1kHz以上)
2. 帯域制限フィルターとして上記1.に聴感補正フィルターを追加(IEC60651 A カーブ、Tolerance:タイプ0)
3. 44.1kHz ±6%、48kHz ±6%
4. 32kHz - 6% ~ 48kHz + 6%

## 入力チャンネル仕様

ディエンファシス( CH19、CH20 )		必要に応じて自動対応
DCカット		必要に応じて自動対応
アッテネーター		- 96 ~ + 12dB( 109ステップ )
フェーズ		ノーマル / リバース
4バンドEQ ( 各帯域に12 EQタイプ )	Frequency	20Hz ~ 20kHz( 120ステップ、12ポイント / オクターブ )
	Gain	- 18 ~ + 18dB( 73ステップ、0.5dB/ステップ )
	Q	0.1 ~ 10.0( 41ステップ )
ダイナミクス ( 6タイプ )	Threshold	- 54 ~ 0dB( 55ステップ、1.0dB/ステップ )
	Attack	0 ~ 120ms( 121ステップ、1ms/ステップ )
	Gain	0 ~ 18dB( 37ステップ、0.5dB/ステップ )
	Release	5ms ~ 42.3s、fs = 48.0kHz( 160ステップ ) 6ms ~ 46.0s、fs = 44.1kHz( 160ステップ )
	Ratio	1.0 ~ ( 16ステップ )
	Knee	Hard、1、2、3、4、5( 6ステップ )
	Range	- 70 ~ 0dB( 71ステップ、1.0dB/ステップ )
	Hold	0.02ms ~ 1.96s、fs = 48.0kHz( 216ステップ ) 0.02ms ~ 2.13s、fs = 44.1kHz( 216ステップ )
	Decay	5ms ~ 42.3s、fs = 48.0kHz( 160ステップ ) 6ms ~ 46.0s、fs = 44.1kHz( 160ステップ )
	Width	1 ~ 90( 90ステップ、1.0dB/ステップ )
	Mgain	- 18 ~ 0dB( 37ステップ、0.5dB/ステップ )
リダクションメーター	- 18 ~ 0dB( 12ステップ )	
ディレイ( CH1 - CH20 )		0 ~ 2,600サンプル( 2,601ステップ ) On/Off
オン / オフ		
フェーダー		- 、 - 90 ~ + 10dB( 128ステップ )
パン		33ステップ
チャンネルメーター		- 72 ~ 0dB( 32ステップ )
		プリ / ポスト
		ピークホールド
		ディケイ( ファースト / スロー )
バスセンド	Level	- 、 - 120 ~ 0dB( 128ステップ )
	Pre/Post	( プリ / ポストパン )
	On/Off	
AUXセンド	Level	- 、 - 120 ~ 0dB( 128ステップ )
	Pre/Post	( プリ / ポストフェーダー )
	On/Off	

## バスアウト1～8仕様

バスマスターフェーダー	- 、 - 120～0dB(128ステップ)
オン/オフ	
バスマーター	- 72～0dB(32ステップ)
	プリ/ポストフェーダー
	ピークホールド
	ディケイ(ファースト/スロー)

## AUXセンド1～6仕様

AUXマスターフェーダー	- 、 - 120～0dB(128ステップ)
オン/オフ	
AUXメーター	- 72～0dB(32ステップ)
	プリ/ポストフェーダー
	ピークホールド
	ディケイ(ファースト/スロー)

## ステレオ出力仕様

アッテネーター	- 96～+12dB(109ステップ)	
4バンドEQ (各帯域に12EQタイプ)	Frequency	20Hz～20kHz(120ステップ、12ポイント/オクターブ)
	Gain	- 18～+18dB(73ステップ、0.5dB/ステップ)
	Q	0.1～10.0(41ステップ)
ステレオマスターフェーダー	- 、 - 120～0dB(128ステップ)	
ダイナミクス (6タイプ)	Threshold	- 54～0dB(55ステップ、1.0dB/ステップ)
	Attack	0～120ms(121ステップ、1ms/ステップ)
	Gain	0～18dB(37ステップ、0.5dB/ステップ)
	Release	5ms～42.3s, fs = 48.0kHz(160ステップ)
		6ms～46.0s, fs = 44.1kHz(160ステップ)
	Ratio	1.0～ (16ステップ)
	Knee	Hard、1、2、3、4、5(6ステップ)
	Range	- 70～0dB(71ステップ、1.0dB/ステップ)
	Hold	0.02ms～1.96s, fs = 48.0kHz(216ステップ)
		0.02ms～2.13s, fs = 44.1kHz(216ステップ)
	Decay	5ms～42.3s, fs = 48.0kHz(160ステップ)
		6ms～46.0s, fs = 44.1kHz(160ステップ)
Width	1～90(90ステップ、1.0dB/ステップ)	
Mgain	- 18～0dB(37ステップ、0.5dB/ステップ)	
リダクションメーター	- 18～0dB(12ステップ)	

バランス	33ステップ
ステレオメーター	- 72 ~ 0dB( 32ステップ )
	プリ / ポストフェーダー
	ピークホールド
	ディケイ(ファースト / スロー)

## 入力パッチベイ仕様

入力	選択可能ソース
CH1	PCI PB1、IO-B2-1
CH2	PCI PB2、IO-B2-2
CH3	PCI PB3、IO-B2-3
CH4	PCI PB4、IO-B2-4
CH5	PCI PB5、IO-B2-5
CH6	PCI PB6、IO-B2-6
CH7	PCI PB7、IO-B2-7
CH8	PCI PB8、IO-B2-8
CH9	PCI PB9、IO-B1-1、SUB IN1、IO-A2-1
CH10	PCI PB10、IO-B1-2、SUB IN2、IO-A2-2
CH11	PCI PB11、IO-B1-3、SUB IN3、IO-A2-3
CH12	PCI PB12、IO-B1-4、SUB IN4、IO-A2-4
CH13	PCI PB13、IO-A1-1、SUB IN5、IO-A2-5
CH14	PCI PB14、IO-A1-2、SUB IN6、IO-A2-6
CH15	PCI PB15、IO-A1-3、SUB IN7、IO-A2-7
CH16	PCI PB16、IO-A1-4、SUB IN8、IO-A2-8
CH17	IN L、IO-A1-1、SUB IN1、IO-A2-1
CH18	IN R、IO-A1-2、SUB IN2、IO-A2-2
CH19	DIN L、IO-A1-3、SUB IN3、IO-A2-3
CH20	DIN R、IO-A1-4、SUB IN4、IO-A2-4
CH21	Effect1 Return L、SUB IN5、IO-A2-5
CH22	Effect1 Return R、SUB IN6、IO-A2-6
CH23	Effect2 Return L、SUB IN7、IO-A2-7
CH24	Effect2 Return R、SUB IN8、IO-A2-8

PCI PB: Waveデータ等の再生

IO-A1: 4-input/4-output機器をIO-Aへ接続

IO-A2: 8-input/8-output機器をIO-Aへ接続

IO-B1: 4-input/4-output機器をIO-Bへ接続

IO-B2: 8-input/8-output機器をIO-Bへ接続

## 出力パッチベイ仕様

ディスティネーション(1~14)にソース(1~8)のいずれもパッチ割り当てすることができます。

ソース	ディスティネーション
1: BUS 1、2	1: REC 1、2
2: BUS 3、4	2: REC 3、4
3: BUS 5、6	3: REC 5、6
4: BUS 7、8	4: REC 7、8
5: AUX 1、2	5: IO-A1-1、2( IO-A2-1、2 )
6: AUX 3、4	6: IO-A1-3、4( IO-A2-3、4 )
7: AUX 5、6	7: IO-B1-1、2( IO-B2-1、2 )
8: STL、STR	8: IO-B1-3、4( IO-B2-3、4 )
	9: AOUTL、AOUTR
	10: DOUTL、DOUTR
	11: IO-A2-5、6
	12: IO-A2-7、8
	13: IO-B2-5、6
	14: IO-B2-7、8

IO-A1: 4-input/4-output機器をIO-Aへ接続

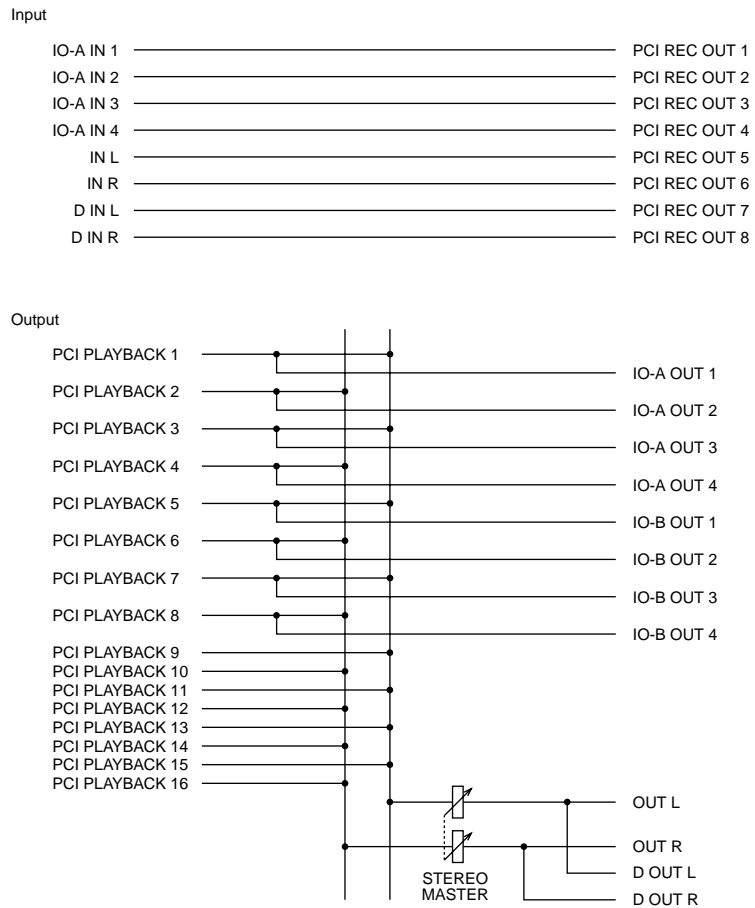
IO-A2: 8-input/8-output機器をIO-Aへ接続

IO-B1: 4-input/4-output機器をIO-Bへ接続

IO-B2: 8-input/8-output機器をIO-Bへ接続

## 固定パッチベイブロック図

DS2416に対応していないオーディオソフトウェア使用時、入出力の接続は下図のように固定となります。



## アナログ入力仕様

入力端子	インピーダンス	適合インピーダンス	入力レベル		コネクター
			定格レベル	最大ノンクリップレベル	
IN L、IN R <sup>1</sup>	10k	600 lines	- 10dBV <sup>2</sup> (316mV)	+ 6dBV (1.995V)	RCAピン (アンバランス型)

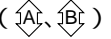
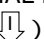

1. 20ビット・128倍オーバーサンプリングA/Dコンバーター
2. 0dBV = 1Vrms.

## アナログ出力仕様

出力端子	インピーダンス	適合インピーダンス	出力レベル		コネクター
			定格レベル	最大ノンクリップレベル	
OUT L、 OUT R <sup>1</sup>	600	10k lines	- 10dBV <sup>2</sup> (316mV)	+ 6dBV (1.995V)	RCAピン (アンバランス型)

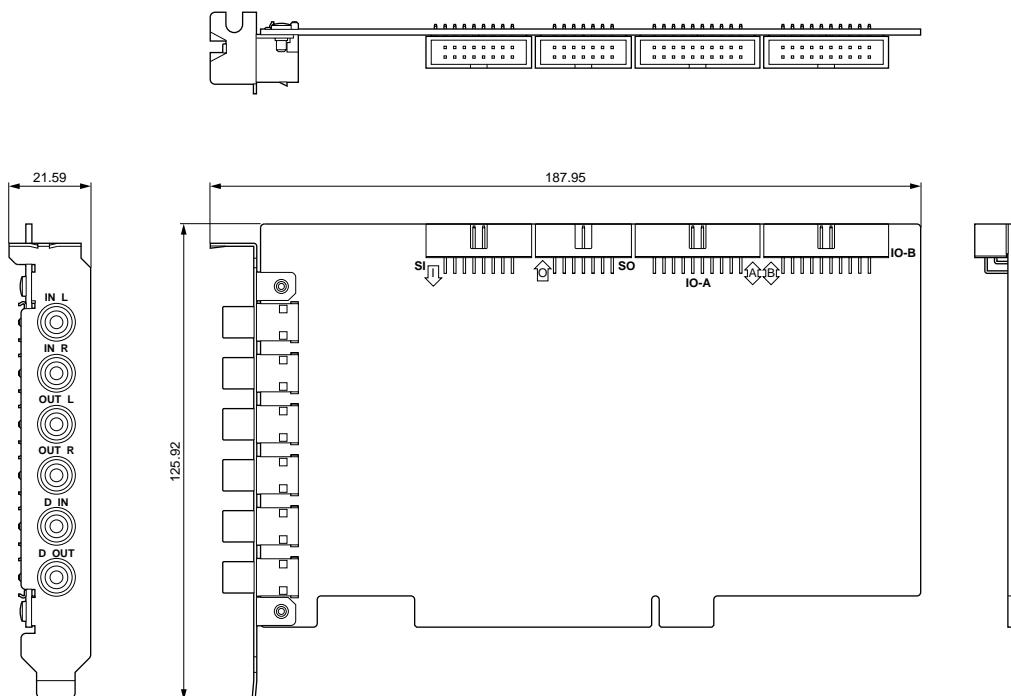
1. 20ビット・8倍オーバーサンプリングD/Aコンバーター
2. 0dBV = 1Vrms.

## デジタル入出力仕様

端子	I/O	フォーマット	レベル	コネクター
D IN	I	IEC60958民生	0.5Vpp、75	RCAピン (アンバランス型)
D OUT	O	IEC60958民生	0.5Vpp、75	RCAピン (アンバランス型)
IO-A、IO-B (  )	I/O	4CHか8CHデジタルオーディオ入力 4CHか8CH デジタルオーディオ出力 最大32ビット / チャンネル フォーマット: 相手側機器による	5V CMOS	20ピン
SERIAL IN (SI、  )	I	8CHか16CHデジタルオーディオ入力 最大32ビット / チャンネル フォーマット: 相手側機器による	5V CMOS	16ピン
SERIAL OUT (SO、  )	O	8CHか16CHデジタルオーディオ出力 最大32ビット / チャンネル フォーマット: 相手側機器による	5V CMOS	14ピン



## 寸法図



単位：mm

仕様および外観は改良のため予告なく変更することがあります。

# サービスについて

## 保証書

この商品には保証書がついています。販売店でお渡しいますから、ご住所・お名前・お買上げ年月日・販売店名など所定事項の記入および記載内容をおたしかめの上、大切に保管してください。

保証書は当社がお客様に保証期間内の無償サービスをお約束するもので、この商品の保証期間はお買上げ日より1年です。

保証期間内の転居や、ご購入用に購入された場合などで、記載事項の変更が必要なときは、事前・事後を問わずお買上げ販売店がお客様ご相談窓口、またはヤマハ電気音響製品サービス拠点へご連絡ください。継続してサービスできるように手配いたします。

## 損害に対する責任

この商品(搭載プログラムを含む)の使用または使用不能により、お客様に生じた損害(事業利益の損失、事業の中断、事業情報の損失、その他の特別損失や逸失利益)については、当社は一切その責任を負わないものとします。また、如何なる場合でも、当社が負担する損害賠償額は、お客様がお支払になったこの商品の代価相当額をもって、その上限とします。

## 調整・故障の修理

「故障かな?」と思われる症状のときは、この説明書をもう一度よくお読みになり、電源・接続・操作などをおたしかめください。それでもなお改善されないときには、お買上げ販売店へご連絡ください。調整・修理いたします。

調整・修理に際しては保証書をご用意ください。保証規定により、調整・修理サービスをいたします。また、故障した製品をお持ちいただくか、サービスにお伺いするのも保証書に書かれています。

修理サービスは保証期間が過ぎた後も引き続きおこなわれ、そのための補修用性能部品が用意されています。性能部品とは製品の機能を維持するために不可欠な部品のことをいい、PA製品ではその最低保有期間は製造打切後8年です。この期間は経済産業省の指導によるものです。

## お客様ご相談窓口

ヤマハPA製品に関するご質問・ご相談は下記のお客様ご相談窓口へ、アフターサービスについてのお問い合わせはヤマハ電気音響製品サービス拠点へおよせください。

## お客様ご相談窓口：ヤマハプロオーディオ製品に対するお問合せ窓口

ヤマハ・プロオーディオ・インフォメーションセンター

Tel: 03-5791-7678 Fax: 03-5488-6663 (電話受付 = 祝祭日を除く月～金 / 11:00～19:00)

E-mail: painfo@post.yamaha.co.jp

## EM営業統括部(営業窓口)

### PAグループ

PA東京	03-5488-5480	〒108-8568	東京都港区高輪2-17-11
PA北海道	011-512-6113	〒064-0810	札幌市中央区南十条西1-1-50
PA仙台	022-222-6214	〒980-0804	仙台市青葉区大町2-2-10
PA大阪	06-6252-5405	〒542-0081	大阪市中央区南船場3-12-9
PA名古屋	052-232-5744	〒460-8588	名古屋市中区錦1-18-28
PA九州	092-412-5556	〒812-8508	福岡市博多区博多駅前2-11-4

企画推進室(プロオーディオ) 03-5488-5472 〒108-8568 東京都港区高輪2-17-11

## PA・DMI事業部

PE営業部PA国内推進室 053-460-2455 〒430-8650 浜松市中沢町10-1

## ヤマハ電気音響製品サービス拠点：修理受付および修理品お預かり窓口

北海道サービスステーション	011-512-6108	〒064-8543	札幌市中央区南十条西1-1-50	ヤマハセンター内
仙台サービスステーション	022-236-0249	〒984-0015	仙台市若林区卸町5-7	仙台卸商共同配送センター 3F
首都圏サービスセンター	03-5762-2121	〒143-0006	東京都大田区平和島2-1-1	京浜トラックターミナル14号棟A-5F
浜松サービスステーション	053-465-6711	〒435-0016	浜松市和田町200	ヤマハ(株)和田工場6号館2階
名古屋サービスセンター	052-652-2230	〒454-0058	名古屋市中川区玉川町2-1-2	ヤマハ(株)名古屋流通センター3F
大阪サービスセンター	06-6877-5262	〒565-0803	吹田市新芦屋下1-16	ヤマハ(株)千里丘センター内
四国サービスステーション	087-822-3045	〒760-0029	高松市丸亀町8-7	(株)ヤマハミュージック神戸 高松店内
広島サービスステーション	082-874-3787	〒731-0113	広島市安佐南区西原6-14-14	
九州サービスステーション	092-472-2134	〒812-8508	福岡市博多区博多駅前2-11-4	
本社/CSセンター	053-465-1158	〒435-0016	浜松市和田町200	ヤマハ(株)和田工場6号館2階

所在地・電話番号などは変更されることがあります。

2001年10月現在

## Effects Parameters

### REVERB HALL, REVERB ROOM, REVERB STAGE, REVERB PLATE

Parameter	Range	Description
REV TIME	0.3–99.0 s	Reverb time
INI.DLY	0.0–500.0 ms	Initial delay before reverb begins
HI.RATIO	0.1–1.0	High-frequency reverb time ratio
LO.RATIO	0.1–2.4	Low-frequency reverb time ratio
DIFF.	0–10	Reverb diffusion (left–right reverb spread)
DENSITY	0–100%	Reverb density
HPF	Thru, 21 Hz–8.0 kHz	High-pass filter cutoff frequency
LPF	50 Hz–16.0 kHz, Thru	Low-pass filter cutoff frequency
E/R DLY	0.0–100.0 ms	Delay between early reflections and reverb
E/R BAL.	0–100%	Balance of early reflections and reverb (0% = ER, 100% = reverb)
GATE LVL	OFF, –60 to 0 dB	Level at which gate kicks in
ATTACK	0–120 ms	Gate opening speed
HOLD	1	Gate open time
DECAY	2	Gate closing speed

1. 0.02 ms–2.13 s (fs = 32.0 kHz, 44.1 kHz), 0.02 ms–1.96 s (fs = 48 kHz)
2. 6.0 ms–46.0 s (fs = 32.0 kHz, 44.1 kHz), 5.0 ms–42.3 s (fs = 48 kHz)

### EARLY REF. (early reflections)

Parameter	Range	Description
TYPE	1	Type of early reflection simulation
ROOMSIZE	0.1–20.0	Reflection spacing
LIVENESS	0–10	Early reflections decay characteristics (0 = dead, 10 = live)
INI.DLY	0.0–500.0 ms	Initial delay before reverb begins
DIFF.	0–10	Reverb diffusion (left–right reverb spread)
DENSITY	0–100%	Reverb density
ER NUM.	1–19	Number of early reflections
FB GAIN	–99 to +99%	Feedback gain
HI.RATIO	0.1–1.0	High-frequency feedback ratio
HPF	Thru, 21 Hz–8.0 kHz	High-pass filter cutoff frequency
LPF	50 Hz–16.0 kHz, Thru	Low-pass filter cutoff frequency

1. S-Hall (small hall), L-Hall (large hall), Random, Revers (reverse), Plate, Spring

**GATE REVERB, REVERSE GATE**

Parameter	Range	Description
<b>TYPE</b>	Type-A, Type-B	Type of early reflection simulation
<b>ROOMSIZE</b>	0.1–20.0	Reflection spacing
<b>LIVENESS</b>	0–10	Early reflections decay characteristics (0 = dead, 10 = live)
<b>INI.DLY</b>	0.0–500.0 ms	Initial delay before reverb begins
<b>DIFF.</b>	0–10	Reverb diffusion (left–right reverb spread)
<b>DENSITY</b>	0–100%	Reverb density
<b>HI.RATIO</b>	0.1–1.0	High-frequency feedback ratio
<b>ER NUM.</b>	1–19	Number of early reflections
<b>FB GAIN</b>	–99 to +99%	Feedback gain
<b>HPF</b>	Thru, 21 Hz–8.0 kHz	High-pass filter cutoff frequency
<b>LPF</b>	50 Hz–16.0 kHz, Thru	Low-pass filter cutoff frequency

**MONO DELAY**

Parameter	Range	Description
<b>DELAY</b>	0.0–2730.0 ms	Delay time
<b>FB.GAIN</b>	–99 to +99%	Feedback gain (plus values for normal-phase feedback, minus values for reverse-phase feedback)
<b>HI.RATIO</b>	0.1–1.0	High-frequency feedback ratio
<b>HPF</b>	Thru, 21 Hz–8.0 kHz	High-pass filter cutoff frequency
<b>LPF</b>	50 Hz–16.0 kHz, Thru	Low-pass filter cutoff frequency

**STEREO DELAY**

Parameter	Range	Description
<b>DELAY L</b>	0.0–1350.0 ms	Left channel delay time
<b>FB.G L</b>	–99 to +99%	Left channel feedback (plus values for normal-phase feedback, minus values for reverse-phase feedback)
<b>DELAY R</b>	0.0–1350.0 ms	Right channel delay time
<b>FB.G R</b>	–99 to +99%	Right channel feedback (plus values for normal-phase feedback, minus values for reverse-phase feedback)
<b>HI.RATIO</b>	0.1–1.0	High-frequency feedback ratio
<b>HPF</b>	Thru, 21 Hz–8.0 kHz	High-pass filter cutoff frequency
<b>LPF</b>	50 Hz–16.0 kHz, Thru	Low-pass filter cutoff frequency

**MOD.DELAY (modulation delay)**

Parameter	Range	Description
<b>DELAY</b>	0.0–2725.0 ms	Delay time
<b>FB.GAIN</b>	–99 to +99%	Feedback gain (plus values for normal-phase feedback, minus values for reverse-phase feedback)
<b>HI.RATIO</b>	0.1–1.0	High-frequency feedback ratio
<b>FREQ.</b>	0.05–40.00 Hz	Modulation speed
<b>DEPTH</b>	0–100%	Modulation depth
<b>HPF</b>	Thru, 21 Hz–8.0 kHz	High-pass filter cutoff frequency
<b>LPF</b>	50 Hz–16.0 kHz, Thru	Low-pass filter cutoff frequency

**DELAY LCR (delay left-center-right)**

Parameter	Range	Description
<b>DELAY L</b>	0.0–2730.0 ms	Left channel delay time
<b>DELAY C</b>	0.0–2730.0 ms	Center channel delay time
<b>DELAY R</b>	0.0–2730.0 ms	Right channel delay time
<b>LEVEL L</b>	–100 to +100%	Left channel delay level
<b>LEVEL C</b>	–100 to +100%	Center channel delay level
<b>LEVEL R</b>	–100 to +100%	Right channel delay level
<b>FB.DLY</b>	0.0–2730.0 ms	Feedback delay time
<b>FB.GAIN</b>	–99 to +99%	Feedback gain (plus values for normal-phase feedback, minus values for reverse-phase feedback)
<b>HI.RATIO</b>	0.1–1.0	High-frequency feedback ratio
<b>HPF</b>	Thru, 21 Hz–8.0 kHz	High-pass filter cutoff frequency
<b>LPF</b>	50 Hz–16.0 kHz, Thru	Low-pass filter cutoff frequency

**ECHO**

Parameter	Range	Description
<b>DELAY L</b>	0.0–1350.0 ms	Left channel delay time
<b>FB.D L</b>	0.0–1350.0 ms	Left channel feedback delay time
<b>FB.G L</b>	–99 to +99%	Left channel feedback gain (plus values for normal-phase feedback, minus values for reverse-phase feedback)
<b>DELAY R</b>	0.0–1350.0 ms	Right channel delay time
<b>FB.D R</b>	0.0–1350.0 ms	Right channel feedback delay time
<b>FB.G R</b>	–99 to +99%	Right channel feedback gain (plus values for normal-phase feedback, minus values for reverse-phase feedback)
<b>L-&gt;R FB.G</b>	–99 to +99%	Left to right channel feedback gain (plus values for normal-phase feedback, minus values for reverse-phase feedback)
<b>R-&gt;L FB.G</b>	–99 to +99%	Right to left channel feedback gain (plus values for normal-phase feedback, minus values for reverse-phase feedback)
<b>HI.RATIO</b>	0.1–1.0	High-frequency feedback ratio
<b>HPF</b>	Thru, 21 Hz–8.0 kHz	High-pass filter cutoff frequency
<b>LPF</b>	50 Hz–16.0 kHz, Thru	Low-pass filter cutoff frequency

**CHORUS**

Parameter	Range	Description
<b>FREQ.</b>	0.05–40.00 Hz	Modulation speed
<b>PM DEPTH</b>	0–100%	Pitch modulation depth
<b>AM DEPTH</b>	0–100%	Amplitude modulation depth
<b>MOD.DLY</b>	0.0–500.0 ms	Modulation delay time
<b>WAVE</b>	Sine, Tri	Modulation waveform (Sine: sine wave, Tri: triangular wave)

**FLANGE**

Parameter	Range	Description
<b>FREQ.</b>	0.05–40.00 Hz	Modulation speed
<b>DEPTH</b>	0–100%	Modulation depth
<b>FB.GAIN</b>	–99 to +99%	Feedback gain (plus values for normal-phase feedback, minus values for reverse-phase feedback)
<b>MOD.DLY</b>	0.0–500.0 ms	Modulation delay time
<b>WAVE</b>	Sine, Tri	Modulation waveform (Sine: sine wave, Tri: triangular wave)

## SYMPHONIC

Parameter	Range	Description
FREQ.	0.05–40.00 Hz	Modulation speed
DEPTH	0–100%	Modulation depth
MOD.DLY	0.0–500.0 ms	Modulation delay time
WAVE	Sine, Tri	Modulation waveform (Sine: sine wave, Tri: triangular wave)

## PHASER

Parameter	Range	Description
FREQ.	0.05–40.00 Hz	Modulation speed
DEPTH	0–100%	Modulation depth
FB.GAIN	–99 to +99%	Feedback gain (plus values for normal-phase feedback, minus values for reverse-phase feedback)
OFFSET	0–100	Lowest phase-shifted frequency offset
STAGE	2, 4, 8, 10, 12, 14, 16	Number of phase shift stages

## AUTOPAN

Parameter	Range	Description
FREQ.	0.05–40.00 Hz	Modulation speed
DEPTH	0–100%	Modulation depth
DIR.	1	Panning direction
WAVE	Sine, Tri, Square	Modulation waveform (Sine: sine wave, Tri: triangular wave, Square: rectangular wave)

1. L<->R, L->R, L<-R, Turn L, Turn R

## TREMOLO

Parameter	Range	Description
FREQ.	0.05–40.00 Hz	Modulation speed
DEPTH	0–100%	Modulation depth
WAVE	Sine, Tri, Square	Modulation waveform (Sine: sine wave, Tri: triangular wave, Square: rectangular wave)

## HQ.PITCH (high-quality pitch)

Parameter	Range	Description
PITCH	–12 to +12 semitones	Pitch shift
FINE	–50 to +50 cents	Pitch shift fine
DELAY	0.0–1000.0 ms	Delay time
FB.GAIN	–99 to +99%	Feedback gain (plus values for normal-phase feedback, minus values for reverse-phase feedback)
MODE	1–10	Pitch shift precision

**DUAL PITCH**

Parameter	Range	Description
<b>PITCH 1</b>	-24 to +24 semitones	Pitch 1 pitch shift
<b>FINE 1</b>	-50 to +50 cents	Pitch 1 pitch shift fine
<b>PAN 1</b>	L16-C-R16	Pitch 1 pan position
<b>DELAY 1</b>	0.0-1000.0 ms	Pitch 1 delay time
<b>FB.G 1</b>	-99 to +99%	Pitch 1 feedback gain (plus values for normal-phase feedback, minus values for reverse-phase feedback)
<b>LEVEL 1</b>	-100 to +100%	Pitch 1 level (plus values for normal phase, minus values for reverse phase)
<b>PITCH 2</b>	-24 to +24 semitones	Pitch 2 pitch shift
<b>FINE 2</b>	-50 to +50 cents	Pitch 2 pitch shift fine
<b>PAN 2</b>	L16-C-R16	Pitch 2 pan position
<b>DELAY 2</b>	0.0-1000.0 ms	Pitch 2 delay time
<b>FB.G 2</b>	-99 to +99%	Pitch 2 feedback gain (plus values for normal-phase feedback, minus values for reverse-phase feedback)
<b>LEVEL 2</b>	-100 to +100%	Pitch 2 level (plus values for normal phase, minus values for reverse phase)
<b>MODE</b>	1-10	Pitch shift precision

**ROTARY**

Parameter	Range	Description
<b>ROTATE</b>	STOP, START	Rotation stop, start
<b>SPEED</b>	SLOW, FAST	Rotation speed (see SLOW and FAST parameters)
<b>DRIVE</b>	0-100	Overdrive level
<b>ACCEL</b>	0-10	Acceleration at speed changes
<b>LOW</b>	0-100	Low-frequency filter
<b>HIGH</b>	0-100	High-frequency filter
<b>SLOW</b>	0.05-10.00 Hz	SLOW rotation speed
<b>FAST</b>	0.05-10.00 Hz	FAST rotation speed

**RING MOD. (ring modulator)**

Parameter	Range	Description
<b>SOURCE</b>	OSC, SELF	Modulation source: oscillator or input signal
<b>OSC FREQ</b>	0.0-5000.0 Hz	Oscillator frequency
<b>FM FREQ</b>	0.05-40.00 Hz	Oscillator frequency modulation speed
<b>FM DEPTH</b>	0-100%	Oscillator frequency modulation depth



## MOD.FILTER (modulation filter)

Parameter	Range	Description
FREQ.	0.05–40.00 Hz	Modulation speed
DEPTH	0–100%	Modulation depth
TYPE	LPF, HPF, BPF	Filter type: low pass, high pass, band pass
OFFSET	0–100	Filter frequency offset
RESO.	0–20	Filter resonance
PHASE	0.00–354.38°	Left-channel modulation and right-channel modulation phase difference
LEVEL	0–100	Output level

## DISTORTION

Parameter	Range	Description
DST TYPE	1	Distortion type
DRIVE	0–100	Distortion drive
MASTER	0–100	Master volume
TONE	–10 to +10	Tone
N.GATE	0–20	Noise reduction

1. DST1, DST2, OVD1, OVD2, CRUNCH (DST = distortion, OVD = overdrive)

## AMP SIMULATE

Parameter	Range	Description
AMP TYPE	1	Guitar amp simulation type
DST TYPE	2	Distortion type
N.GATE	0–20	Noise reduction
DRIVE	0–100	Distortion drive
MASTER	0–100	Master volume
CAB DEP	0–100%	Speaker cabinet simulation depth
BASS	0–100	Bass tone control
MIDDLE	0–100	Middle tone control
TREBLE	0–100	High tone control
EQ F	99–8.0 kHz	Parametric equalizer frequency
EQ G	–12 to +12 dB	Parametric equalizer gain
EQ Q	10.0–0.40	Parametric equalizer bandwidth

1. STK-M1: typical vintage amp stack sound, STK-M2: powerful three-stage amp stack sound, THRASH: thrash sound used by thrash metal bands, MIDBST: mid-range character, CMB-PG: Yamaha PG1 simulation (popular old preamp), CMB-VR: VR6000 simulation, CMB-DX: vintage combo amp with rear-open cabinet and exposed speaker, CMB-TW: typical American combo-amp sound, MINI: mini-amp sound (below 10 W), FLAT: flat setting.
2. DST1, DST2, OVD1, OVD2, CRUNCH (DST = distortion, OVD = overdrive)

**DYNA.FILTER (dynamic filter)**

Parameter	Range	Description
SENSE	0–100	Sensitivity
TYPE	LPF, HPF, BPF	Filter type
OFFSET	0–100	Filter frequency offset
RESO.	0–20	Filter resonance
DECAY	1	Filter frequency change decay speed
DIR.	UP, DOWN	Upward or downward frequency change
LEVEL	0–100	Output Level

1. 6.0 ms–46.0 s (fs = 32 kHz, 44.1 kHz), 5.0 ms–42.3 s (fs = 48 kHz)

**DYNA.FLANGE (dynamic flange)**

Parameter	Range	Description
SENSE	0–100	Sensitivity
FB GAIN	–99 to +99%	Feedback gain (plus values for normal-phase feedback, minus values for reverse-phase feedback)
OFFSET	0–100	Delay time offset
DIR.	UP, DOWN	Upward or downward frequency change
HOLD	1	Hold time
DECAY	2	Decay speed

1. 0.02 ms–2.13 s (fs = 32.0 kHz, 44.1 kHz), 0.02 ms–1.96 s (fs = 48 kHz)
2. 6.0 ms–46.0 s (fs=44.1 kHz), 5.0 ms–42.3 s (fs=48 kHz)

**DYNA.PHASER (dynamic phaser)**

Parameter	Range	Description
SENSE	0–100	Sensitivity
FB GAIN	–99 to +99%	Feedback gain (plus values for normal-phase feedback, minus values for reverse-phase feedback)
OFFSET	0–100	Lowest phase-shifted frequency offset
DIR.	UP, DOWN	Upward or downward frequency change
STAGE	2, 4, 8, 10, 12, 14, 16	Number of phase shift stages
HOLD	1	Hold time
DECAY	2	Decay speed

1. 0.02 ms–2.13 s (fs = 32.0 kHz, 44.1 kHz), 0.02 ms–1.96 s (fs = 48 kHz)
2. 6.0 ms–46.0 s (fs=44.1 kHz), 5.0 ms–42.3 s (fs=48kHz)

**REV+CHORUS (reverb and chorus in parallel)**

Parameter	Range	Description
REV TIME	0.3–99.0 s	Reverb time
INI.DLY	0.0–500.0 ms	Initial delay before reverb begins
HI.RATIO	0.1–1.0	High-frequency reverb time ratio
DIFF.	0–10	Reverb diffusion (left–right reverb spread)
DENSITY	0–100%	Reverb density
HPF	Thru, 21 Hz–8.0 kHz	High-pass filter cutoff frequency
LPF	50 Hz–16.0 kHz, Thru	Low-pass filter cutoff frequency
REV/CHO	0–100%	Reverb and chorus balance (0% = chorus only, 100% = reverb only)
FREQ.	0.05–40.00 Hz	Modulation speed
PM DEPTH	0–100%	Pitch modulation depth
AM DEPTH	0–100%	Amplitude modulation depth
MOD.DLY	0.0–500.0 ms	Modulation delay time
WAVE	Sine, Tri	Modulation waveform (Sine: sine wave, Tri: triangular wave)

**REV->CHORUS (reverb and chorus in series)**

Parameter	Range	Description
REV TIME	0.3–99.0 s	Reverb time
INI.DLY	0.0–500.0 ms	Initial delay before reverb begins
HI.RATIO	0.1–1.0	High-frequency reverb time ratio
DIFF.	0–10	Reverb diffusion (left–right reverb spread)
DENSITY	0–100%	Reverb density
HPF	Thru, 21 Hz–8.0 kHz	High-pass filter cutoff frequency
LPF	50 Hz–16.0 kHz, Thru	Low-pass filter cutoff frequency
REV BAL.	0–100%	Reverb and chorused reverb balance (100% = reverb only)
FREQ.	0.05–40.00 Hz	Modulation speed
PM DEPTH	0–100%	Pitch modulation depth
AM DEPTH	0–100%	Amplitude modulation depth
MOD.DLY	0.0–500.0 ms	Modulation delay time
WAVE	Sine, Tri	Modulation waveform (Sine: sine wave, Tri: triangular wave)

**REV+FLANGE (reverb and flange in parallel)**

Parameter	Range	Description
REV TIME	0.3–99.0 s	Reverb time
INI.DLY	0.0–500.0 ms	Initial delay before reverb begins
HI.RATIO	0.1–1.0	High-frequency reverb time ratio
DIFF.	0–10	Reverb diffusion (left–right reverb spread)
DENSITY	0–100%	Reverb density
HPF	Thru, 21 Hz–8.0 kHz	High-pass filter cutoff frequency
LPF	50 Hz–16.0 kHz, Thru	Low-pass filter cutoff frequency
REV/FLG	0–100%	Reverb and flange balance (0% = flange only, 100% = reverb only)
FREQ.	0.05–40.00 Hz	Modulation speed
DEPTH	0–100%	Modulation depth
FB.GAIN	–99 to +99%	Feedback gain (plus values for normal-phase feedback, minus values for reverse-phase feedback)
MOD.DLY	0.0–500.0 ms	Modulation delay time
WAVE	Sine, Tri	Modulation waveform (Sine: sine wave, Tri: triangular wave)

**REV->FLANGE (reverb and flange in series)**

Parameter	Range	Description
REV TIME	0.3–99.0 s	Reverb time
INI.DLY	0.0–500.0 ms	Initial delay before reverb begins
HI.RATIO	0.1–1.0	High-frequency reverb time ratio
DIFF.	0–10	Reverb diffusion (left–right reverb spread)
DENSITY	0–100%	Reverb density
HPF	Thru, 21 Hz–8.0 kHz	High-pass filter cutoff frequency
LPF	50 Hz–16.0 kHz, Thru	Low-pass filter cutoff frequency
REV BAL.	0–100%	Reverb and flanged reverb balance (100% = reverb only)
FREQ.	0.05–40.00 Hz	Modulation speed
DEPTH	0–100%	Modulation depth
FB.GAIN	–99 to +99%	Feedback gain (plus values for normal-phase feedback, minus values for reverse-phase feedback)
MOD.DLY	0.0–500.0 ms	Modulation delay time
WAVE	Sine, Tri	Modulation waveform (Sine: sine wave, Tri: triangular wave)

**REV+SYMPHO. (reverb and symphonic in parallel)**

Parameter	Range	Description
REV TIME	0.3–99.0 s	Reverb time
INI.DLY	0.0–500.0 ms	Initial delay before reverb begins
HI.RATIO	0.1–1.0	High-frequency reverb time ratio
DIFF.	0–10	Reverb diffusion (left–right reverb spread)
DENSITY	0–100%	Reverb density
HPF	Thru, 21 Hz–8.0 kHz	High-pass filter cutoff frequency
LPF	50 Hz–16.0 kHz, Thru	Low-pass filter cutoff frequency
REV/SYM	0–100%	Reverb and symphonic balance (0% = symphonic only, 100% = reverb only)
FREQ.	0.05–40.00 Hz	Modulation speed
DEPTH	0–100%	Modulation depth
MOD.DLY	0.0–500.0 ms	Modulation delay time
WAVE	Sine, Tri	Modulation waveform (Sine: sine wave, Tri: triangular wave)

**REV->SYMPHO. (reverb and symphonic in series)**

Parameter	Range	Description
REV TIME	0.3–99.0 s	Reverb time
INI.DLY	0.0–500.0 ms	Initial delay before reverb begins
HI.RATIO	0.1–1.0	High-frequency reverb time ratio
DIFF.	0–10	Reverb diffusion (left–right reverb spread)
DENSITY	0–100%	Reverb density
HPF	Thru, 21 Hz–8.0 kHz	High-pass filter cutoff frequency
LPF	50 Hz–16.0 kHz, Thru	Low-pass filter cutoff frequency
REV BAL.	0–100%	Reverb and symphonic reverb balance (100% = reverb only)
FREQ.	0.05–40.00 Hz	Modulation speed
DEPTH	0–100%	Modulation depth
MOD.DLY	0.0–500.0 ms	Modulation delay time
WAVE	Sine, Tri	Modulation waveform (Sine: sine wave, Tri: triangular wave)

**REV->PAN (reverb and auto-pan in parallel)**

Parameter	Range	Description
REV TIME	0.3–99.0 s	Reverb time
INI.DLY	0.0–500.0 ms	Initial delay before reverb begins
HI.RATIO	0.1–1.0	High-frequency reverb time ratio
DIFF.	0–10	Reverb diffusion (left–right reverb spread)
DENSITY	0–100%	Reverb density
HPF	Thru, 21 Hz–8.0 kHz	High-pass filter cutoff frequency
LPF	50 Hz–16.0 kHz, Thru Hz	Low-pass filter cutoff frequency
REV BAL.	0–100%	Reverb and panned reverb balance (100% = reverb only)
FREQ.	0.05–40.00 Hz	Modulation speed
DEPTH	0–100%	Modulation depth
DIR.	1	Panning direction
WAVE	Sine, Tri, Square	Modulation waveform (Sine: sine wave, Tri: triangular wave, Square: rectangular wave)

1. L<->R, L->R, L<-R, Turn L, Turn R

**DELAY+ER. (delay and early reflections in parallel)**

Parameter	Range	Description
DELAY L	0.0–1000.0 ms	Left channel delay time
DELAY R	0.0–1000.0 ms	Right channel delay time
FB.DLY	0.0–1000.0 ms	Feedback delay time
FB.GAIN	–99 to +99%	Feedback gain (plus values for normal-phase feedback, minus values for reverse-phase feedback)
HI.RATIO	0.1–1.0	High-frequency feedback ratio
TYPE	1	Type of early reflection simulation
ROOMSIZE	0.1–20.0	Reflection spacing
LIVENESS	0–10	Early reflections decay characteristics (0 = dead, 10 = live)
INI.DLY	0.0–500.0 ms	Initial delay before reverb begins
DIFF.	0–10	Reverb diffusion (left–right reverb spread)
DENSITY	0–100%	Reverb density
ER NUM.	1–19	Number of early reflections
DLY/ER	0–100%	Delay and early reflections balance (0% = early reflections only, 100% = delay only)

1. S-Hall (small hall), L-Hall (large hall), Random, Revers (reverse), Plate, Spring

**DELAY->ER. (delay and early reflections in series)**

Parameter	Range	Description
DELAY L	0.0–1000.0 ms	Left channel delay time
DELAY R	0.0–1000.0 ms	Right channel delay time
FB.DLY	0.0–1000.0 ms	Feedback delay time
FB.GAIN	–99 to +99%	Feedback gain (plus values for normal-phase feedback, minus values for reverse-phase feedback)
HI.RATIO	0.1–1.0	High-frequency feedback ratio
TYPE	1	Type of early reflection simulation
ROOMSIZE	0.1–20.0	Reflection spacing
LIVENESS	0–10	Early reflections decay characteristics (0 = dead, 10 = live)
INI.DLY	0.0–500.0 ms	Initial delay before reverb begins
DIFF.	0–10	Reverb diffusion (left–right reverb spread)
DENSITY	0–100%	Reverb density
ER NUM.	1–19	Number of early reflections
DLY BAL.	0–100%	Delay and early reflected delay balance (100% = delay only)

1. S-Hall (small hall), L-Hall (large hall), Random, Revers (reverse), Plate, Spring

**DELAY+REV (delay and reverb in parallel)**

Parameter	Range	Description
DELAY L	0.0–1000.0 ms	Left channel delay time
DELAY R	0.0–1000.0 ms	Right channel delay time
FB.DLY	0.0–1000.0 ms	Feedback delay time
FB.GAIN	–99 to +99%	Feedback gain (plus values for normal-phase feedback, minus values for reverse-phase feedback)
DELAYHI	0.1–1.0	Delay high-frequency feedback ratio
REV TIME	0.3–99.0 s	Reverb time
INI.DLY	0.0–500.0 ms	Initial delay before reverb begins
REV HI	0.1–1.0	High-frequency reverb time ratio
DIFF.	0–10	Reverb diffusion (left–right reverb spread)
DENSITY	0–100%	Reverb density
HPF	Thru, 21 Hz–8.0 kHz	High-pass filter cutoff frequency
LPF	50 Hz–16.0 kHz, Thru	Low-pass filter cutoff frequency
DLY/REV	0–100%	Delay and reverb balance (0% = reverb only, 100% = delay only)

**DELAY->REV (delay and reverb in series)**

Parameter	Range	Description
DELAY L	0.0–1000.0 ms	Left channel delay time
DELAY R	0.0–1000.0 ms	Right channel delay time
FB.DLY	0.0–1000.0 ms	Feedback delay time
FB.GAIN	–99 to +99%	Feedback gain (plus values for normal-phase feedback, minus values for reverse-phase feedback)
DELAYHI	0.1–1.0	Delay high-frequency feedback ratio
REV TIME	0.3–99.0 s	Reverb time
INI.DLY	0.0–500.0 ms	Initial delay before reverb begins
REV HI	0.1–1.0	High-frequency reverb time ratio
DIFF.	0–10	Reverb diffusion (left–right reverb spread)
DENSITY	0–100%	Reverb density
HPF	Thru, 21 Hz–8.0 kHz	High-pass filter cutoff frequency
LPF	50 Hz–16.0 kHz, Thru	Low-pass filter cutoff frequency
DLY BAL	0–100%	Delay and delayed reverb balance (100% = delay only)

**DIST->DELAY (distortion and delay in series)**

Parameter	Range	Description
DST TYPE	1	Distortion type
DRIVE	0–100	Distortion drive
MASTER	0–100	Master volume
TONE	–10 to +10	Tone control
N.GATE	0–20	Noise reduction
DELAY	0.0–2725.0 ms	Delay time
FB.GAIN	–99 to +99%	Feedback gain (plus values for normal-phase feedback, minus values for reverse-phase feedback)
HI.RATIO	0.1–1.0	High-frequency feedback ratio
FREQ.	0.05–40.00 Hz	Modulation speed
DEPTH	0–100%	Modulation depth
DLY BAL	0–100%	Level balance of delay

1. DST1, DST2, OVD1, OVD2, CRUNCH (DST = distortion, OVD = overdrive)



