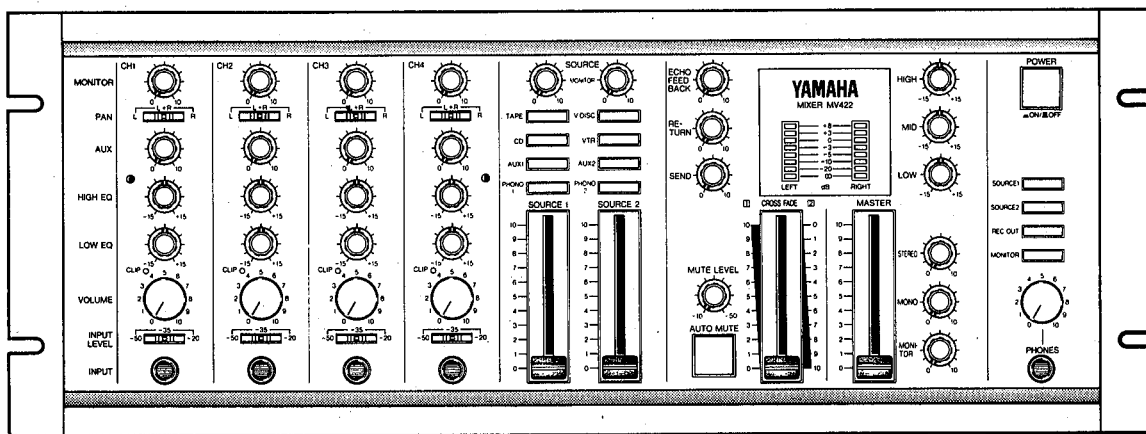


YAMAHA

MULTI-SOURCE MIXER MIXEUR MULTI-SOURCE MULTI-SOURCE MIXER

MV422

*Operating Manual
Manuel d'utilisation
Bedienungshandbuch*



Congratulations!

Your MV422 is a first-class Yamaha product that will provide years of high-quality mixing performance if cared for and operated properly.

In a single rack-mount unit the MV422 offers four microphone/instrument input channels, each with selectable input sensitivity, EQ, AUX send control, selectable panning and monitor level control. Two additional SOURCE channels permit input and mixing of audio and A/V stereo sources such as tape, CD, phono, video disc, VCR, and others. The SOURCE 2 VIDEODISC and VCR input selectors actually switch the video signal as well as the audio. A single CROSS FADE fader facilitates smooth, single-handed cross-fades between the two SOURCE input groups. Of course, there's a high-performance BBD echo system built-in, with an ECHO FEEDBACK control so you can set any degree of echo to match the source. An AUTO MUTE system provides fully automatic gain riding so DJs or announcers don't have to worry about the background program level, and a comprehensive monitor system provides versatile monitoring of all system signals. Be sure to read this operating manual thoroughly before setting up and operating the MV422, and keep it in a safe place for later reference.

CONTENTS

PRECAUTIONS	2
FRONT-PANEL CONTROLS	3
REAR-PANEL CONNECTIONS	6
SYSTEM EXAMPLE	8
INSTALLING THE SECURITY COVER	9
SPECIFICATIONS	9
BLOCK DIAGRAM	36
DIMENSIONS	37

PRECAUTIONS

1. AVOID EXCESSIVE HEAT, HUMIDITY, DUST AND VIBRATION

Keep the unit away from locations where it is likely to be exposed to high temperatures or humidity—such as near radiators, stoves, etc. Also avoid locations which are subject to excessive dust accumulation or vibration which could cause mechanical damage.

2. AVOID PHYSICAL SHOCKS

Strong physical shocks to the unit can cause damage. Handle it with care.

3. DO NOT OPEN THE UNIT OR ATTEMPT REPAIRS OR MODIFICATIONS YOURSELF

This product contains no user-serviceable parts. Refer all maintenance to qualified Yamaha service personnel. Opening the unit and/or tampering with the internal circuitry will void the warranty.

4. MAKE SURE POWER IS OFF BEFORE MAKING OR REMOVING CONNECTIONS

Always turn the power OFF prior to connecting or disconnecting cables. This is important to prevent damage to the unit itself as well as other connected equipment.

5. HANDLE CABLES CAREFULLY

Always plug and unplug cables—including the AC cord—by gripping the connector, not the cord.

6. CLEAN WITH A SOFT DRY CLOTH

Never use solvents such as benzine or thinner to clean the unit. Wipe clean with a soft, dry cloth.

7. ALWAYS USE THE CORRECT POWER SOURCE

Make sure that the power source voltage specified on the rear panel matches your local AC mains supply.

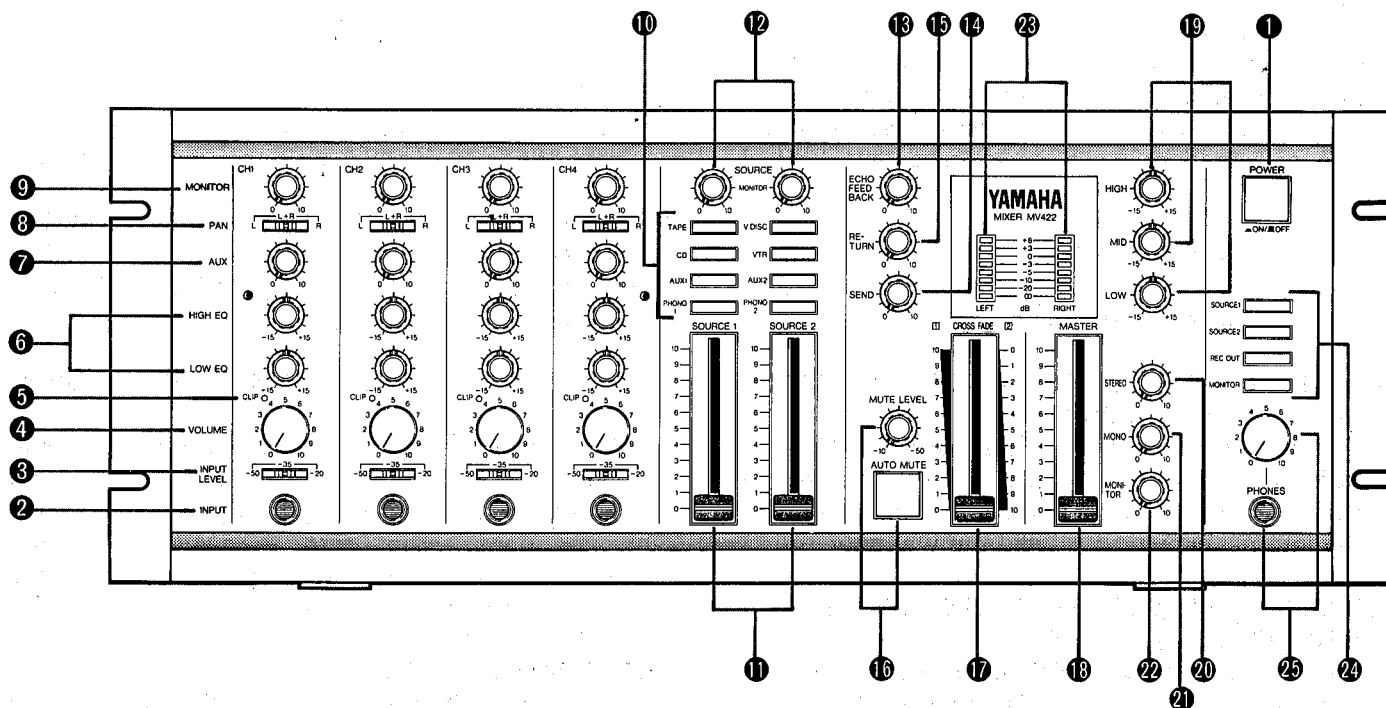
8. TURN POWER AMPLIFIER(S) OFF BEFORE MAKING CONNECTIONS

To prevent damage to the power amplifiers and speakers used, make sure the power amplifiers are turned OFF while setting up the system and making connections. Also, turn the MV422 volume (MASTER fader) all the way down when changing microphone, instrument or source connections.

9. TURN-ON PROCEDURE

Always turn the MV422 power ON before turning power amplifier power ON.

FRONT PANEL CONTROLS



1 POWER Switch

Press the POWER switch once to turn the MV422 power ON, and again to turn the power OFF. (When power ON two "∞" in MASTER LEVEL Light)

2 INPUT Jack

The front-panel INPUT jacks accept balanced or unbalanced input from microphones or electric/electronic music instruments. For balanced operation use appropriately wired stereo phone plugs (tip = hot, ring = cold, sleeve = ground). For unbalanced operation use standard monaural phone plugs. XLR-type input connectors are also provided on the rear panel (see "REAR PANEL CONNECTIONS" on page 6). The front-panel INPUT jacks take priority, and when a plug is inserted into any of them the corresponding rear-panel input is automatically disconnected.

3 INPUT LEVEL Selector

The INPUT LEVEL selector offers a choice of -50 dB, -35 dB or -20 dB input sensitivity for optimum input level matching with a wide range of microphones and instruments. The selector setting applies to both the front- and rear-panel inputs. Here's a general guide to the best settings for different sources:

INPUT SOURCE	SETTING
Electric/electronic instrument.	-20
Low-level lines (home audio equipment).	-20
Electric/electronic instrument.	-35
High-level microphone (condenser types).	-35
Low-level microphone (dynamic types).	-50

4 VOLUME Control

Each of the MV422's four microphone/instrument input channels has a rotary volume control which sets the volume level of the respective channel within the overall mix. Use these controls to set the optimum level for each input. The VOLUME control on unused channels should be set to "0."

5 CLIP Indicator

This LED indicator lights when the input signal to the corresponding channel reaches a level 3dB below the clipping level of the input circuitry. The CLIP indicators may light occasionally on high-level peaks, but if any of them light frequently or constantly the INPUT LEVEL selector setting for that channel should be reduced. If reducing the input sensitivity (using the INPUT LEVEL selector) setting does not solve the problem, the output level of the source equipment must be reduced.

⑥ HIGH EQ and LOW EQ Controls

The HIGH and LOW EQ controls (peaking, ± 15 dB at 4 kHz and 350 Hz, respectively) offer plenty of control range for broad response shaping and tonal matching between channels. Rotating either of these controls in the clockwise direction from center position boosts response in the corresponding frequency range. Counter-clockwise rotation cuts response in the corresponding range. When set to their center positions, response is flat and unaffected.

⑦ AUX Control

The AUX control determines the amount of signal sent from the respective channel to either the internal high-performance BBD delay system or external signal processing equipment. When no external equipment is connected, rotating any of these controls in the clockwise direction increases the amount of echo sound (from the internal BBD echo system) applied to the sound of the corresponding channel. The AUX controls are connected "post-fader" (i.e. after the VOLUME control), so that when the volume setting is changed the echo level changes accordingly. The AUX controls have the same effect when external signal processing is used, but the internal BBD echo system is automatically disconnected. (Also see "RETURN Control")

⑧ PAN Selector

The signal from each channel can be placed at the left, center or right of the output stereo sound field using these selectors. A setting of "L" sends the sound from that channel to the left speaker only, a setting of "L + R" sends the channel sound to both the left and right speakers, and a setting of "R" sends the sound to the right speaker only.

⑨ MONITOR Control

These level controls feed a separate monitor buss and output, providing a completely independent monitor mix. The monitor mix is fed to the rear-panel MONITOR output terminal and front-panel PHONES terminal. Channel EQ settings affect the monitor sound, but internal echo or external signal processing do not.

⑩ SOURCE 1 and SOURCE 2 Selectors

In addition to the four microphone/instrument input channels, the MV422 has two line-level input groups (SOURCE 1 and SOURCE 2) that accept a variety of sources. These selectors select one of the four available inputs for each SOURCE group. The SOURCE 1 group provides inputs for TAPE, CD, AUX 1 and PHONO 1. The SOURCE 2 group has VIDEO DISC, VTR, AUX 2 and PHONO 2 inputs. The selected source or sources are mixed with the input channel signals and fed to the main outputs. Selecting a video source (VIDEO DISC or VTR) switches both its audio and video signals. If both video signals are fed to the rear-panel VIDEO inputs, the selected signal appears at the VIDEO OUT terminal.

⑪ SOURCE 1 and SOURCE 2 Faders

These faders adjust the level of the source selected in the corresponding group. The SOURCE 1 fader adjusts the level of the SOURCE 1 signal, and the SOURCE 2 fader adjusts the level of the SOURCE 2 signal.

⑫ SOURCE 1 and SOURCE 2 MONITOR Controls

Like the input channel MONITOR controls, these feed the MV422 monitor buss so that an independent monitor mix incorporating the input channel and source signals is available and the MONITOR OUT terminal and PHONES jack.

⑬ ECHO FEEDBACK Control

Adjusts the amount of feedback applied to the BBD echo system, and thus the length (time) of the echo effect.

⑭ SEND Control

The SEND control determines the overall level of the AUX mix delivered at the rear-panel AUX SEND jack. SEND is normally used to match the MV422 AUX SEND output level to the input of an external signal processing unit. The AUX SEND jacks can also be used to feed a second power amplifier or other audio equipment. In this case, the internal BBD echo system remains active.

15 RETURN Control

Controls the level of the signal returned to the MV422 stereo buss from the internal echo system or an external signal processing unit. When an external signal processing device is used, its output can be returned to the MV422 stereo buss via a pair of stereo AUX RETURN jacks on the rear panel. The internal BBD echo system is automatically disconnected when an external signal processing unit is connected to the AUX RETURN jacks. Set the RETURN control to "0" to turn off the internal echo or external effect.

16 MUTE LEVEL Control and AUTO MUTE Switch

"Gain riding" or "ducking" is the process of reducing the level of the background program while a DJ or announcer is speaking. The MV422 AUTO MUTE function does this automatically. When the AUTO MUTE switch is ON, input to any of the four microphone/instrument channels automatically reduces the level of the SOURCE channels by an amount specified by the setting of the MUTE LEVEL control. The amount of gain reduction increases as the MUTE LEVEL control is rotated toward the "-50" setting. Hold time and release rate trimmers on the MV422 bottom panel allow fine adjustment of AUTO MUTE operation.

17 CROSS FADE Fader

Smooth cross-fades between the SOURCE 1 and SOURCE 2 signals are simple to produce using this one fader. The CROSS FADE fader can also be used to set the optimum balance between SOURCE 1 and SOURCE 2. Moving the fader upward increases the level of SOURCE 1 while decreasing the level of SOURCE 2, while moving it downward has the opposite effect. In its center position the CROSS FADE fader produces equal level from both SOURCE 1 and SOURCE 2.

18 MASTER Fader

Adjusts the overall level of the program signal appearing at the rear-panel MASTER OUT L and R output jacks.

19 HIGH, MID and LOW Master EQ Controls

The 3-band master equalizer permits fine response tailoring of the program signal appearing at the rear-panel MASTER L & R, STEREO L & R, and MONO OUT output jacks.

HIGH Control: ± 15 dB at 12 kHz (shelving).

MID Control: ± 15 dB at 2 kHz (peaking).

LOW Control: ± 15 dB at 100 Hz (shelving).

20 STEREO Level Control

Adjusts the level of the program signal delivered at the rear-panel STEREO OUT L and R jacks.

21 MONO Level Control

Adjusts the level of the monaural program signal (a mix of the left and right channel signals) delivered to the rear-panel MONO OUT output jack.

22 MONITOR Level Control

A separate MONITOR OUT output jack is provided on the MV422 rear panel, and this control adjusts the monitor output level. The MONITOR OUT signal consists of the monitor signals from the four microphone/instrument channels and the SOURCE 1 and SOURCE 2 channels.

23 LED Level Meters

These fast-response LED peak meters provide an accurate visual indication of signal levels at the MV422 stereo MASTER outputs. If the meters constantly read full scale, the output level is too high and the setting of the MASTER fader should be reduced.

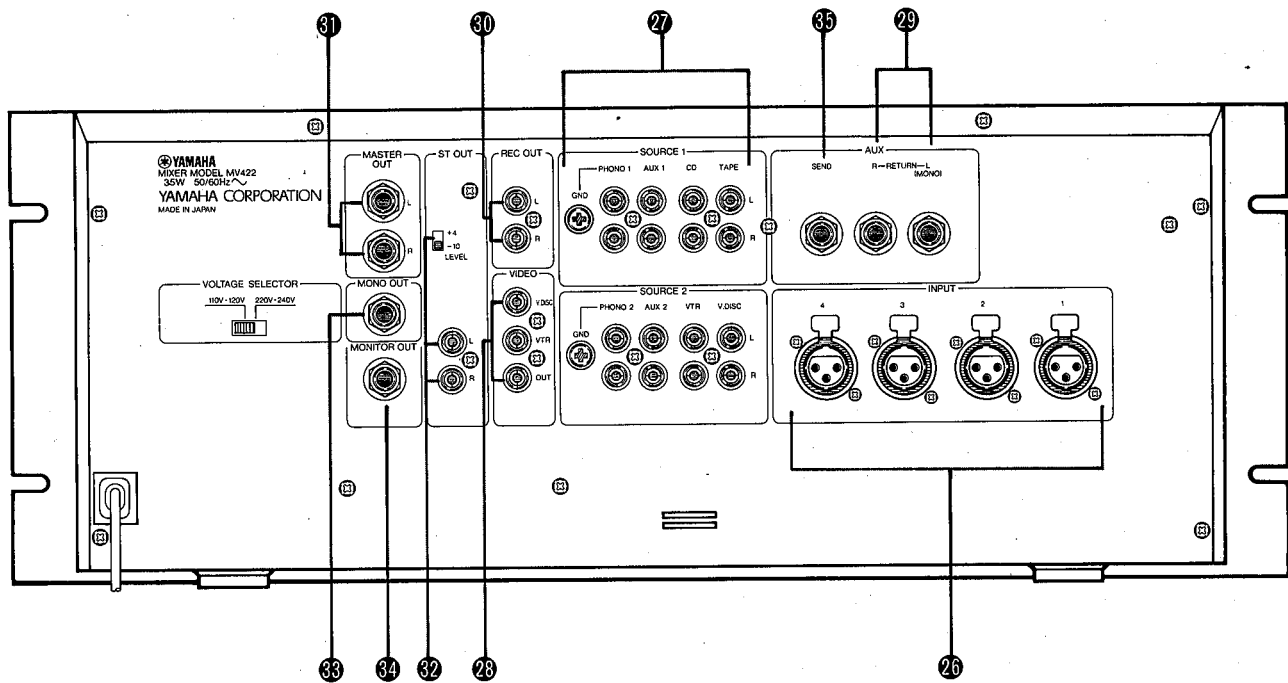
24 PHONES Monitor Selectors

These switches select the SOURCE 1, SOURCE 2, REC OUT and MONITOR signals for monitoring via a pair of stereo headphones plugged into the PHONES jack.

25 PHONES Level Control and Jack

A pair of stereo monitor headphones can be plugged directly into the front-panel PHONES jack, and the level control adjusts the headphone monitoring level. The signal appearing at the PHONES jack is selected by the PHONES monitor selectors, above.

REAR PANEL CONNECTIONS



26 INPUT 1-4

These XLR type input jacks duplicate the function of the front-panel 1/4" TRS jacks. The wiring of these balanced connectors is as follows: pin 1 = ground, pin 2 = hot, pin 3 = cold (DIN standard). The rear-panel input connectors are automatically disconnected when a plug is inserted into the corresponding front-panel INPUT jack.

27 SOURCE 1 and SOURCE 2 Inputs

These are the RCA pin-jack inputs for the SOURCE 1 and SOURCE 2 groups. Sources connected to the SOURCE 1 input group are selected using the SOURCE 1 input selectors, and sources connected to the SOURCE 2 input group are selected using the SOURCE 2 input selectors.

SOURCE 1

TAPE Open-reel or cassette tape deck.
 CD Compact disc player.
 AUX 1 Any standard audio source.
 PHONO 1.... MM or high-level MC phono cartridge.

SOURCE 2

V. DISC Video disc player (or VCR).
 VTR..... Video cassette player (or video disc player)
 AUX 2 Any standard audio source.
 PHONO 2.... MM or high-level MC phono cartridge.

28 VIDEO (V. DISC and VCR) Inputs/VIDEO OUT Output

The video outputs from a video disc player and VCR (or a pair of VCRs or video disc players) can be connected here. The signal selected by the corresponding SOURCE 2 selector is sent to the VIDEO OUT terminal, which will normally be connected to a video monitor.

29 AUX RETURN L and R Inputs

The output signal from an external signal processing device (delay, reverb, etc.) fed by the MV422 AUX SEND output can be returned to the main stereo buss via these jacks. Stereo AUX RETURN jacks are provided to accommodate signal processors with stereo outputs. Monaural return signals can be plugged into the AUX RETURN L (MONO) jack. The internal BBD echo system is disconnected when a plug is inserted into the L (MONO) AUX RETURN jack.

30 REC OUT L and R Outputs

The REC OUT terminals deliver a -10 dB line-level signal which is not affected by any of the MV422's master level controls. The REC OUT signals can be fed to a tape or cassette recorder for convenient recording of the program.

31 MASTER OUT L and R Outputs

The +4 dB MASTER OUT jacks deliver the main stereo program signal to the main power amplifier and speaker system.

32 ST OUT L/R Outputs and LEVEL Switch

These stereo outputs offer switchable -10 dB or $+4$ dB output level, and can be used to send the main stereo program to a second amplifier/speaker system or recording equipment. Set the LEVEL switch for the desired output level.

33 MONO OUT

This jack delivers a monaural mix of the stereo master program which can be used to drive a center-channel or subwoofer system, or to pipe the program to a separate room.

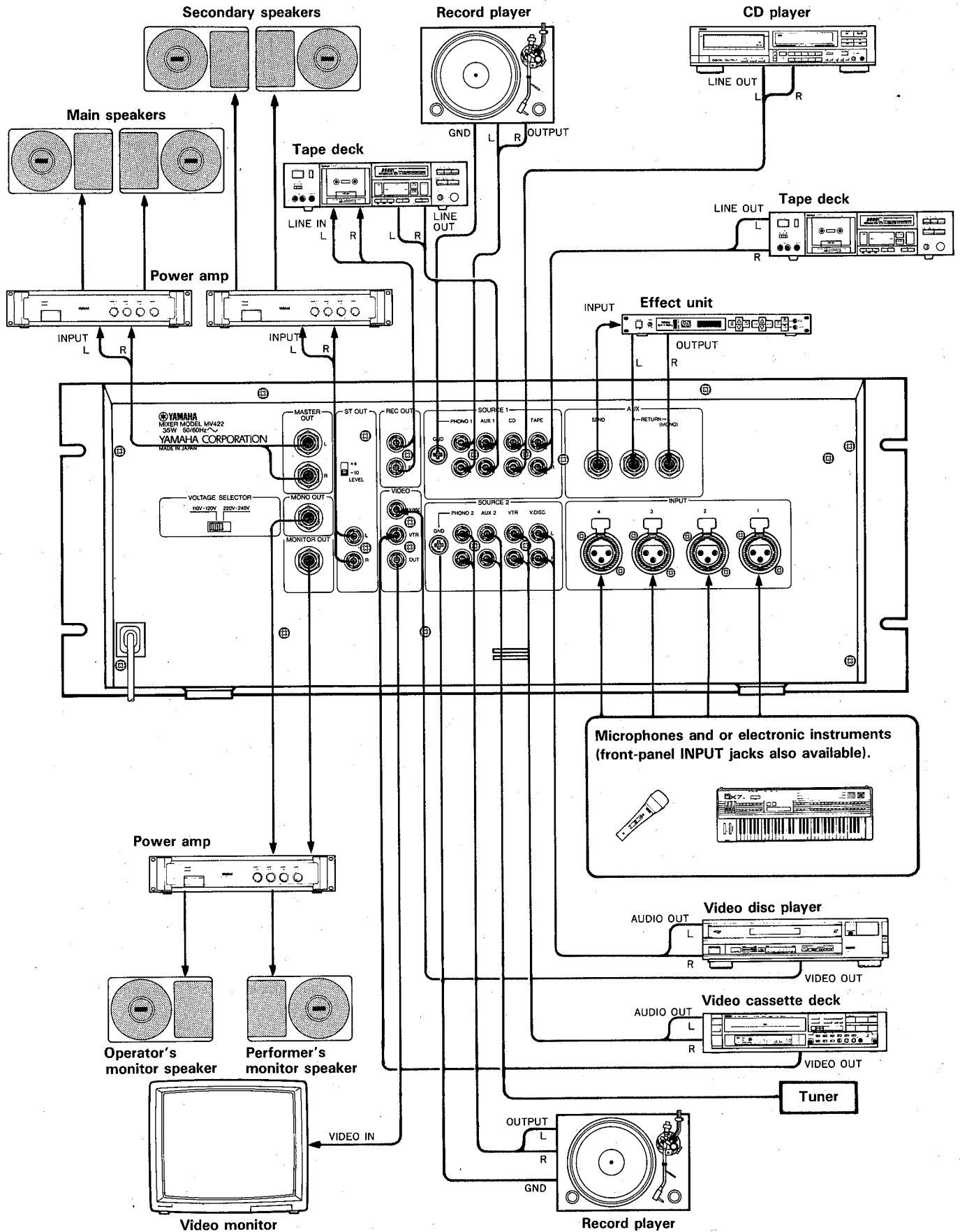
34 MONITOR OUT

The mix set up by the front-panel MONITOR controls is delivered via this output jack. The MONITOR output can feed a power amplifier and monitor speaker system, or a headphone cue amplifier.

35 AUX SEND Output

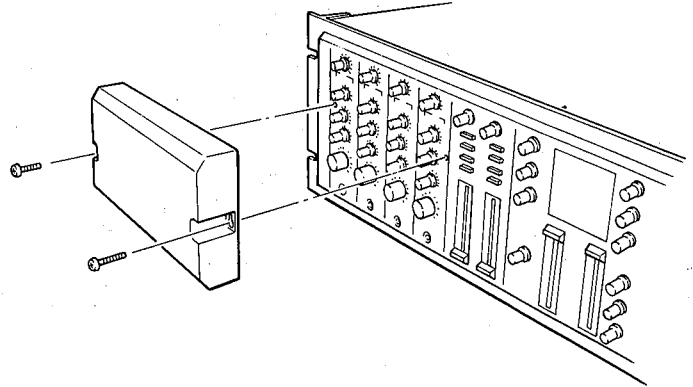
The AUX mix set up by the channel AUX controls is delivered both to the internal BBD echo system and this jack. The overall level of the signal delivered to the AUX SEND jack is determined by the front-panel SEND level control.

SYSTEM EXAMPLE



INSTALLING THE SECURITY COVER

The MV422 comes supplied with a security cover that can be used to prevent unauthorized tampering with the control settings of input channels 1 through 4. Simply align the holes on either side of the security cover with the screw holes to the left and right of the input channels, then install the supplied screws with a "+" screwdriver. But when installed, this cover blocks access to the channel HIGH and LOW EQ controls, the AUX control, the PAN selector, and the MONITOR control.



SPECIFICATIONS

Total Harmonic Distortion

Less than 0.1%, 20 Hz ~ 20 kHz @ +14 dB,
MASTER OUT

Frequency Response

+1, -1.5 dB, 20 Hz ~ 20 kHz @ +4 dB

Hum and Noise* (20 Hz ~ 20 kHz, $R_s = 150$ ohms)

- 126 dB equivalent input noise (MIC 1~4, GAIN SW -50).
- 90 dB residual output noise (MASTER OUT, STEREO OUT, MONO OUT).
- 80 dB at MASTER, STEREO and MONO OUT with master volume at nominal level and all channel volume controls at minimum level.
- 68 dB at MASTER, STEREO and MONO OUT with master volume and all channel volume controls at nominal level, GAIN SW -50.
- 94 dB residual output noise (AUX SEND).
- 80 dB at AUX SEND with SEND control at nominal level and all channel AUX controls at minimum level.

Maximum Voltage Gain

- 66 dB MIC IN (-50) to MASTER OUT
- 36 dB MIC IN (-20) to MASTER OUT
- 26 dB TAPE, CD, AUX, V.DISC IN to MASTER OUT
- 22 dB VTR IN to MASTER OUT
- 66 dB PHONO IN to MASTER OUT
- 36 dB AUX RETURN to MASTER OUT

INPUT Channel Equalization

- 15 dB maximum boost or cut in each of two bands.
 - HIGH: 4 kHz (peaking)
 - LOW: 350 Hz (peaking)

MASTER Equalization

- 15 dB maximum boost or cut in each of three bands.
 - HIGH: 12 kHz (shelving)
 - MID: 2 kHz (peaking)
 - LOW: 100 Hz (shelving)

Crosstalk

-60 dB at 1 kHz

Level Meters

LED peak level meter displays MASTER OUT level.

Clip Indicators

RED LED built into each input channel. Lights when channel signal after EQ is 3-dB below clipping level.

ST Auto Mute

-50 dB maximum attenuation level at 1 kHz.

Video Section

Input Voltage: 1V p-p, 75 ohms
Output Voltage: 1V p-p, 75 ohms
Video S/N: 50 dB

Power Supply

U.S. & Canadian Models: 120 V AC, 35W
General Model: 220-240 VAC, 35W

Dimensions (W x H x D)

480 mm x 177 mm x 247 mm
(18-7/8" x 7" x 9-3/4")

Weight

6.5 kg. (14.3 lbs)

Supplied Accessories

Security cover and installation screws x 2.

* Hum and Noise are measured with a -6dB/octave filter at 12.7 kHz.

• $O_{dB} = 0.775$ Vrms

• Specifications and appearance subject to change without notice.

● Input specifications

Input Terminal	INPUT LEVEL	Actual Load Impedance	For Use With Nominal	Sensitivity	Input Level		Connector In Console
					Nominal	Max Before Clip	
CH INPUT 1~4	-50	20k Ω	150–600 Ω Microphones or 600 Ω Lines	-62dB (0.62mV)	-50dB (2.5mV)	-20dB (78mV)	XLR-3-31 type (Balanced) TRS Phone Jack (Balanced)
	-35			-47dB (3.5mV)	-35dB (13.8mV)	-5dB (436mV)	
	-20			-32dB (19mV)	-20dB (78mV)	+10dB (2.45V)	
SOURCE 1,2	PHONE	47k Ω	—	-62dB (0.62mV)	-50dB (2.5mV)	-20dB (78mV)	RCA Pin Jack (Unbalanced)
	VTR	10k Ω	—	-18dB (97mV)	-6dB (388mV)	+24dB (12.3V)	
	others	10k Ω	—	-22dB (62mV)	-10dB (245mV)	+20dB (7.75V)	
AUX RETURN L, R		10k Ω	600 Ω Lines	-32dB (19mV)	-20dB (78mV)	+10dB (2.45V)	Phone Jack (Unbalanced)
VIDEO (V.DIS, VTR)		75 Ω	75 Ω	—	1.0V p-p	1.5V p-p	RCA Pin Jack (Unbalanced)

● Output specifications

Output Terminal	LEVEL	Actual Source Impedance	For Use With Nominal	Output Level		Connector In Console
				Nominal	Max Before Clip	
MASTER OUT L, R		600 Ω	10k Ω Lines	+ 4dB (1.23V)	+ 20dB (7.75V)	Phone Jack (Unbalanced)
ST OUT L, R	-10dB	600 Ω	10k Ω Lines	-10dB (245mV)	+ 6dB (1.55V)	RCA Pin Jack (Unbalanced)
	+4dB			+ 4dB (1.23V)	+ 20dB (7.75V)	
REC OUT L, R		600 Ω	10k Ω Lines	-10dB (245mV)	+ 20dB (7.75V)	RCA Pin Jack (Unbalanced)
AUX SEND		600 Ω	10k Ω Lines	-10dB (245mV)	+ 20dB (7.75V)	Phone Jack (Unbalanced)
MONO OUT		600 Ω	10k Ω Lines	+ 4dB (1.23V)	+ 20dB (7.75V)	Phone Jack (Unbalanced)
MONITOR OUT		600 Ω	10k Ω Lines	+ 4dB (1.23V)	+ 20dB (7.75V)	Phone Jack (Unbalanced)
PHONES		100 Ω	8 Ω Phones	-16dB (1.9mW)	-4.5dB (40mW)	Stereo Phone Jack (Unbalanced)
VIDEO OUT		75 Ω	75 Ω	1V p-p	1.5V p-p	RCA Pin Jack (Unbalanced)

SERVICE

This product is supported by Yamaha's worldwide network of factory trained and qualified dealer service personnel. In the event of a problem, contact your nearest Yamaha dealer.

MIXEUR MULTI-SOURCE MV422

Manuel d'utilisation

Félicitations!

Votre MV422 est un produit Yamaha de haut niveau qui vous offrira des mixages de qualité pendant des années si vous le traitez et l'utilisez correctement.

En une seule unité, montable en rack, l'MV422 vous offre quatre canaux d'entrée microphone/instrument, chacun avec réglage de la sensibilité d'entrée, correction de timbre, commande AUX SEND et réglage du niveau et de la répartition stéréo. Deux canaux SOURCE supplémentaires permettent d'entrer et de mixer les signaux de sources audio et A/V stéréo telles que magnétophones, lecteurs de disque audionumérique, platines tourne-disque, lecteurs de vidéodisque, magnétoscopes, etc. Les sélecteurs d'entrée SOURCE 2 VIDEO DISC ET VCR commutent même le signal vidéo en même temps que le signal audio. Un seul atténuateur CROSS FADE permet de réaliser d'une seule main des fondus entre les deux groupes d'entrées SOURCE. L'MV422 comprend en outre un système d'écho BBD de haut niveau, avec une commande ECHO FEEDBACK qui vous permet de fixer le degré d'écho en fonction de la source. Un système AUTO MUTE opère un contrôle automatique du gain qui évitera aux DJ et autres annonceurs de devoir se soucier du niveau du programme de fond et un système moniteur puissant permet un contrôle intégral de tous les signaux du système. Veuillez lire attentivement ce manuel d'utilisation avant d'installer et d'utiliser l'MV422 et le ranger ensuite soigneusement afin de pouvoir le retrouver.

TABLE DES MATIERES

PRECAUTIONS	14
COMMANDES DU PANNEAU AVANT	15
CONNEXIONS DU PANNEAU ARRIERE	18
EXEMPLE DE SYSTEME	20
MISE EN PLACE DU COUVERCLE DE SECURITE	21
FICHE TECHNIQUE	21
SCHEMA DE PRINCIPE	36
DIMENSIONS	37

PRECAUTIONS

1. EVITEZ LES TEMPERATURES EXCESSIVES, L'HUMIDITE, LA POUSSIERE ET LES VIBRATIONS.

Evitez d'installer cet appareil dans des endroits où il pourrait être exposé à une température ou une humidité excessives (à proximité d'un appareil de chauffage, par exemple). Evitez également les endroits poussiéreux ou soumis à des vibrations car cela pourrait entraîner des problèmes mécaniques.

2. EVITEZ LES CHOCS.

Les chocs risquent de provoquer des dommages internes. Manipulez cet appareil avec précaution.

3. N'OUVREZ PAS L'APPAREIL ET N'ESSAYEZ PAS DE LE MODIFIER OU DE LE REPARER PAR VOUS-MEME.

Cet appareil ne contient aucun élément que l'utilisateur est en mesure de modifier ou de réparer par lui-même. Confiez tout travail d'entretien ou de révision au personnel compétent du service après-vente Yamaha. Le fait d'ouvrir l'appareil et de bricoler les circuits internes entraînera l'annulation automatique de la garantie du produit.

4. METTEZ L'APPAREIL HORS TENSION AVANT DE TOUCHER AUX CONNEXIONS.

Mettez toujours l'appareil hors tension avant de connecter ou de déconnecter des câbles. Ceci est important afin d'éviter d'endommager non seulement l'appareil lui-même, mais également les autres appareils connectés.

5. MANIPULEZ LES CABLES AVEC PRECAUTION.

Lorsque vous branchez ou débranchez des câbles, tenez-les toujours par la fiche. Ne tirez pas sur le cordon.

6. NETTOYEZ AVEC UN CHIFFON DOUX ET SEC.

Nettoyez le coffret uniquement avec un chiffon doux et sec. N'utilisez jamais de détachants ou de diluants pour peinture.

7. UTILISEZ TOUJOURS UN COURANT D'ALIMENTATION CORRECT.

Assurez-vous que la tension du secteur correspond à celle indiquée sur le panneau arrière.

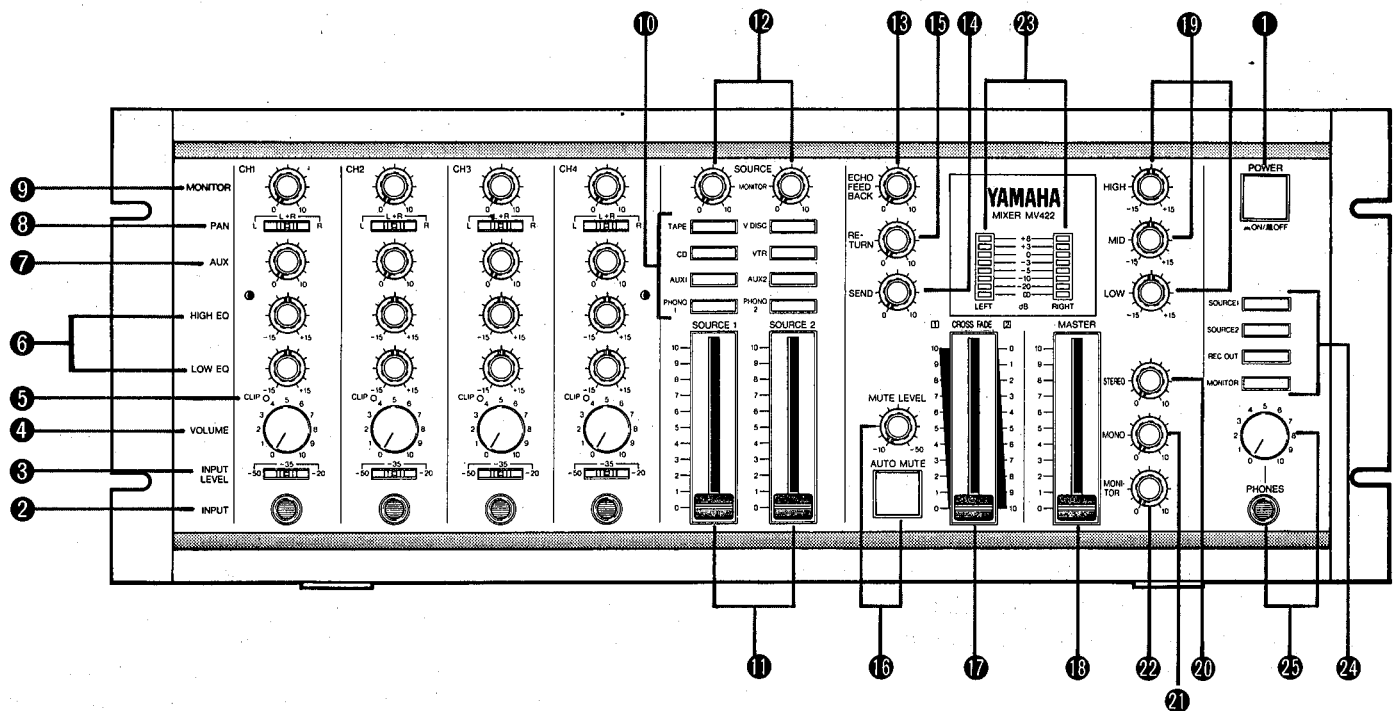
8. COUPEZ L'ALIMENTATION DES AMPLIFICATEURS DE PUISSANCE AVANT D'EFFECTUER DES CONNEXIONS.

Pour éviter d'endommager les amplificateurs de puissance et les haut-parleurs, mettez-les hors tension avant d'installer le système et d'effectuer les connexions. Abaissez également le volume de l'MV422 (atténuateur maître) au minimum avant de toucher aux branchements des micros, instruments ou autres sources.

9. PROCEDURE DE MISE SOUS TENSION.

Mettez toujours l'MV422 sous tension AVANT l'amplificateur de puissance.

COMMANDES DU PANNEAU AVANT



1 Interrupteur POWER

Appuyez une fois pour mettre sous tension et une seconde fois pour mettre hors tension. Lorsque l'appareil est sous tension, deux "***" de l'indicateur de niveau MASTER LEVEL METER s'allument.

2 Prise INPUT

Les prises INPUT du panneau avant acceptent l'entrée symétrique ou asymétrique de micros ou d'instruments électriques/électroniques. Pour les connexions symétriques, utilisez des fiches "jack" stéréo correctement câblées (pointe = chaud, anneau = froid, manchon = masse). Pour les connexions asymétriques, utilisez des fiches "jack" mono standard. Des connecteurs d'entrée du type XLR sont également disponibles sur le panneau arrière (voir "CONNEXIONS DU PANNEAU ARRIERE", à la page ??) Les prises INPUT du panneau avant ont priorité et, lorsqu'une fiche est insérée dans l'une d'elles, l'entrée correspondante du panneau arrière est automatiquement déconnectée.

3 Sélecteur INPUT LEVEL

Le sélecteur INPUT LEVEL vous offre le choix entre trois sensibilités d'entrée: - 50 dB, - 35 dB ou - 20 dB, permettant l'utilisation d'une vaste gamme de micros et d'instruments avec un niveau d'entrée optimal. Le réglage du sélecteur affecte aussi bien les entrées du panneau avant que celles du panneau arrière. Le tableau ci-dessous indique la position idéale pour différentes sources:

SOURCE D'ENTREE	REGLAGE
Instruments électriques/électroniques Lignes à bas niveau (chaînes hifi)	- 20
Instruments électriques/électroniques Micros à haut niveau (Types à condensateur)	- 35
Micros à bas niveau (Types électrodynamiques)	- 50

4 Commande VOLUME

Chacun des quatre canaux d'entrée microphone/instrument de l'MV422 possède une commande de volume de type bouton-à-tourner qui fixe le niveau de volume global du canal correspondant dans le mixage global. Utilisez ces commandes pour fixer le niveau optimal pour chaque entrée. La commande VOLUME des canaux inutilisés doit être réglée sur "0".

5 Indicateur CLIP

Cet indicateur à DEL s'allume lorsque le signal entré sur le canal correspondant atteint un niveau situé à 3 dB sous le niveau d'écrtage du circuit d'entrée. Les indicateurs CLIP peuvent s'allumer occasionnellement sur les crêtes, mais s'ils s'allument trop fréquemment ou restent allumés de manière permanente, le réglage du sélecteur INPUT LEVEL doit être réduit. Si le fait de réduire la sensibilité d'entrée (au moyen du sélecteur INPUT LEVEL) ne résout pas le problème, le niveau de sortie de l'appareil source doit être réduit.

⑥ Commandes HIGH EQ et LOW EQ

Les commandes HIGH EQ et LOW EQ (écrêtage, ± 15 dB à 4 kHz et 350 Hz) permettent de contrôler en profondeur les caractéristiques de réponse et l'équilibre tonal entre les canaux. Tournez la commande dans le sens des aiguilles d'une montre pour accentuer et dans le sens contraire des aiguilles d'une montre pour atténuer la réponse dans la plage de fréquences correspondante. Lorsque la commande est en position centrale, la réponse n'est pas affectée (réponse uniforme).

⑦ Commande AUX

La commande AUX détermine l'importance du signal du canal correspondant envoyé soit au système de retard BBD interne, soit à un appareil de traitement de signal externe. Lorsqu'aucun appareil externe n'est connecté, le fait de tourner l'une de ces commandes dans le sens des aiguilles d'une montre intensifie l'écho (généralisé par le système d'écho BBD interne) appliqué au son du canal correspondant. Les commandes AUX agissent "en aval" des atténuateurs (commande VOLUME), de sorte que, si le volume change, le niveau d'écho change dans la même mesure. Les commandes AUX ont le même effet lorsqu'un appareil de traitement de signal externe est connecté, mais, dans ce cas, le système d'écho BBD interne est automatiquement déconnecté. (Voir également "Commande RETURN")

⑧ Sélecteur PAN

Ces sélecteurs permettent de placer le signal de chaque canal à gauche, au milieu ou à droite du panorama stéréo. "L" envoie le son du canal à la voie gauche uniquement; "L + R", aux deux voies et "R", à la voie droite uniquement.

⑨ Commande MONITOR

Les commandes de niveau alimentent un bus moniteur et une sortie séparés, ce qui permet un mixage moniteur complètement indépendant. Le mixage moniteur est envoyé aux bornes de sortie MONITOR du panneau arrière et à la borne PHONES du panneau avant. Les réglages EQ des différents canaux affectent le son moniteur mais l'écho interne ou le traitement de signal externe ne l'affectent pas.

⑩ Sélecteurs SOURCE 1 ET SOURCE 2

En plus des quatre canaux d'entrée microphone/instrument, l'MV422 possède deux groupes d'entrées de niveau ligne (SOURCE 1 et SOURCE 2) qui acceptent différentes sources. Chacun de ces sélecteurs sélectionne l'une des quatre entrées disponibles pour chaque groupe SOURCE. Le groupe SOURCE 1 comprend des entrées TAPE, CD, AUX 1 et PHONO 1. Le groupe SOURCE 2 comprend des entrées pour VIDEO DISC, VCR, AUX 2 et PHONO 2. La ou les source(s) sélectionnée(s) est/sont mixée(s) avec les signaux des canaux d'entrée et envoyée(s) aux sorties principales. Le fait de sélectionner une source vidéo (VIDEO DISC ou VCR) commute à la fois les signaux audio et vidéo. Si les deux signaux vidéo sont envoyés aux prises VIDEO du panneau arrière, le signal sélectionné est envoyé à la borne VIDEO OUT.

⑪ Atténuateurs SOURCE 1 et SOURCE 2

Ces atténuateurs règlent le niveau de la source sélectionnée dans le groupe correspondant. L'atténuateur SOURCE 1 règle le niveau du signal SOURCE 1 et l'atténuateur SOURCE 2 règle le niveau du signal SOURCE 2.

⑫ Commandes SOURCE 1 MONITOR et SOURCE 2 MONITOR

Comme les commandes MONITOR des canaux d'entrée, ces commandes alimentent le bus moniteur de l'MV422 et envoient un mixage moniteur indépendant comprenant les signaux de la source et du canal d'entrée à la borne MONITOR OUT et à la prise PHONES.

⑬ Commande ECHO FEEDBACK

Fixe l'importance du feedback appliqué au système d'écho BBD et donc la longueur (temps) de l'effet d'écho.

⑭ Commande SEND

La commande SEND détermine le niveau global du mixage AUX envoyé à la prise AUX SEND du panneau arrière. SEND est normalement utilisé pour faire correspondre le niveau de la sortie AUX SEND de l'MV422 avec l'entrée d'un appareil de traitement de signal externe. Les prises AUX SEND peuvent également être utilisées pour alimenter un second amplificateur de puissance ou un autre appareil audio. Dans ce cas, le système d'écho BBD interne reste actif.

15 Commande RETURN

Commande le niveau du signal qui revient au bus stéréo de l'MV422 via la paire de prises AUX RETURN stéréo du panneau arrière. Le système d'écho BBD interne est automatiquement déconnecté lorsqu'un appareil de traitement de signal externe est connecté aux prises AUX RETURN. Réglez la commande RETURN sur "0" pour supprimer l'écho interne ou l'effet externe.

16 Commande MUTE LEVEL et commutateur AUTO MUTE

Les expressions "Gain riding" ou "ducking" désignent l'opération par laquelle le niveau du programme de fond est réduit pendant qu'un DJ ou autre annonceur parle. La fonction AUTO MUTE de l'MV422 fait cela automatiquement. Lorsque le commutateur AUTO MUTE est sur ON, toute entrée sur l'un des quatre canaux microphone/instrument réduit automatiquement le niveau des canaux SOURCE de la valeur spécifiée par le réglage de la commande MUTE LEVEL. L'importance de la réduction de gain augmente lorsque l'on tourne la commande MUTE LEVEL vers la position " - 50". Les commandes de temps de maintien (HOLD TIME) et de vitesse de relâchement (RELEASE RATE) situées au bas de l'MV422 permettent un réglage fin de l'opération AUTO MUTE.

17 Atténuateur CROSS FADE

Cette commande permet de réaliser très facilement des croisements en douceur entre les signaux SOURCE 1 et SOURCE 2. L'atténuateur CROSS FADE peut également être utilisé pour régler l'équilibre entre SOURCE 1 et SOURCE 2. Faites glisser l'atténuateur vers le haut pour augmenter le niveau de SOURCE 1 et diminuer le niveau de SOURCE 2 et vers le bas pour obtenir l'effet inverse. Lorsque l'atténuateur est sur la position centrale, les signaux SOURCE 1 et SOURCE 2 ont le même niveau.

18 Atténuateur MASTER

Règle le niveau global du signal du programme sorti par les prises MASTER OUT L et R du panneau arrière.

19 Commandes EQ maîtres HIGH, MID et LOW

Ce correcteur de timbre maître à trois bandes permet d'ajuster finement la réponse du signal du programme sortie par les prises MASTER L & R, STEREO L & R et MONO OUT du panneau arrière.

Commande HIGH: ± 15 dB à 12 kHz (coupure).
Commande MID: ± 15 dB à 2 kHz (écrêtage).
Commande LOW: ± 15 dB à 100 Hz (écrêtage).

20 Commande de niveau STEREO

Règle le niveau du signal du programme fourni aux prises STEREO OUT L et R du panneau arrière.

21 Commande de niveau MONO

Règle le niveau du signal du programme monaural (un mixage des signaux des canaux gauche et droit) fourni à la prise MONO OUT du panneau arrière.

22 Commande de niveau MONITOR

Une prise de sortie MONITOR OUT séparée est prévue sur le panneau arrière de l'MV422 pour permettre le réglage du niveau de sortie moniteur. Le signal MONITOR OUT comprend les signaux MONITOR des quatre canaux microphone/instrument et des canaux SOURCE 1 et SOURCE 2.

23 Indicateurs de niveau à DEL

Ces indicateurs de crête à DEL fournissent une indication visuelle précise du niveau des signaux envoyés aux sorties MASTER stéréo de l'MV422. Si les indicateurs s'allument constamment jusqu'au bout, le niveau de sortie est trop haut et l'atténuateur MASTER doit être un peu abaissé.

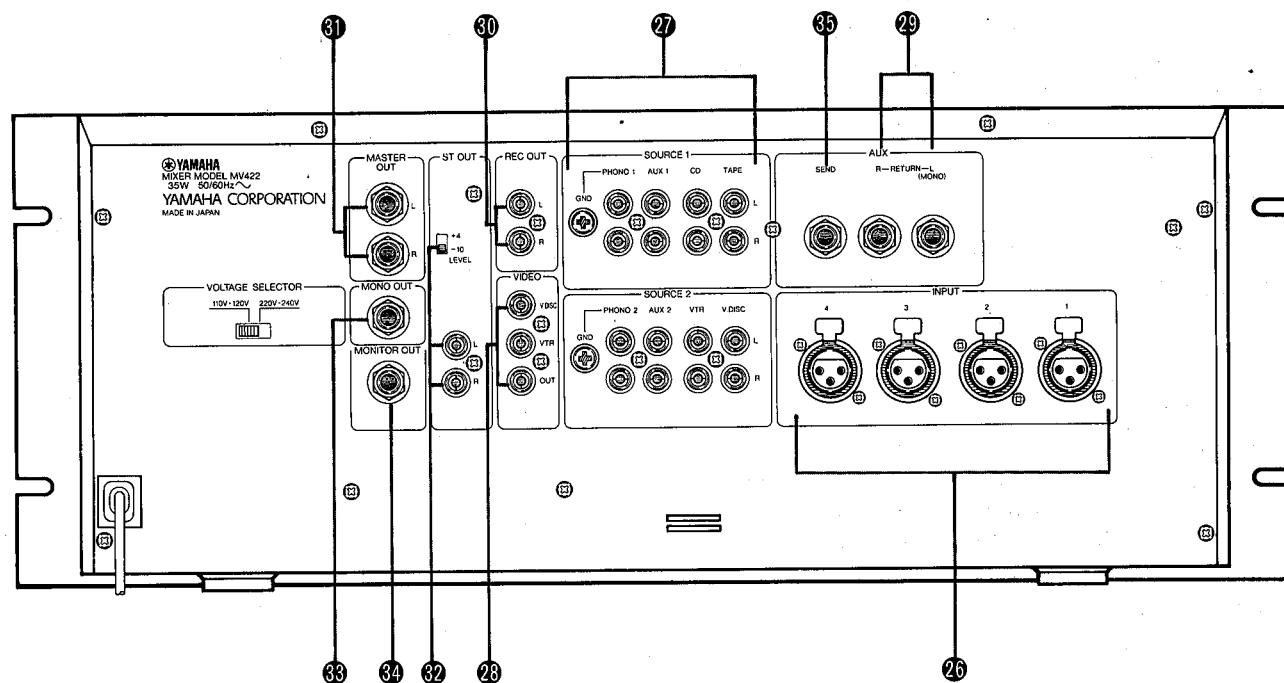
24 Sélecteurs de contrôle PHONES

Ces commandes sélectionnent les signaux SOURCE 1, SOURCE 2, REC OUT et MONITOR pour contrôle (monitoring) via un casque stéréo branché à la prise PHONES.

25 Commande de niveau et prise PHONES

Un casque de contrôle stéréo peut être directement branché à la prise PHONES du panneau avant. La commande de niveau règle le niveau d'écoute du casque. Le signal envoyé à la prise PHONES est sélectionné au moyen des sélecteurs de contrôle PHONES (cf. ci-dessus).

CONNEXIONS DU PANNEAU ARRIERE



26 INPUT 1 ~ 4

Ces prises d'entrée du type XRL dédoublent la fonction des prises TRS de 1/4" du panneau avant. Le câblage de ces connecteurs symétriques est le suivant: broche 1 = masse, broche 2 = chaud, broche 3 = froid (norme DIN). Les connecteurs d'entrée du panneau arrière sont automatiquement déconnectés lorsqu'une fiche est insérée dans les prises INPUT correspondantes du panneau avant.

27 Prises SOURCE 1 et SOURCE 2

Ces prises RCA sont les entrées pour les groupes SOURCE 1 et SOURCE 2. Les sources connectées aux prises du groupe SOURCE 1 sont sélectionnées au moyen des sélecteurs d'entrée SOURCE 1 et les sources connectées aux prises SOURCE 2 sont sélectionnées au moyen des sélecteurs d'entrée SOURCE 2.

SOURCE 1

- TAPE Magnétophone à bande ou à cassette
- CD Lecteur de disque audionumérique
- AUX 1 N'importe quelle source audio standard
- PHONO 1 Platine tourne-disque avec cellule à aimant mobile (MM) ou cellule à bobine mobile (MC) de haut niveau

SOURCE 2

- V. DISC Lecteur de vidéodisque (ou magnétophone)
- VCR Lecteur de vidéocassette (ou lecteur de vidéodisque)
- AUX 2 N'importe quelle source audio standard
- PHONO 2 Platine tourne-disque avec cellule à aimant mobile (MM) ou cellule à bobine mobile (MC) de haut niveau

28 Entrées VIDEO (V.DISC et VCR) / sortie VIDEO OUT

Les sorties vidéo d'un lecteur de vidéodisque et d'un magnétophone à cassette (ou de deux magnétophones à cassette/ lecteurs de vidéodisque) peuvent être connectées à ces prises. Le signal est sélectionné par le sélecteur SOURCE 2 correspondant et envoyé à la borne VIDEO OUT qui doit normalement être connectée à un moniteur vidéo.

29 Prises AUX RETURN L et R

Le signal de sortie d'un appareil de traitement de signal externe (retard, réverbération, etc.) envoyé par la sortie AUX SEND de l'MV422 peut être renvoyé au bus stéréo principal via ces prises. Les prises stéréo AUX RETURN permettent d'accommoder les processeurs de signal avec sorties stéréo. Les signaux de retour mono doivent être envoyés à la prise AUX RETURN L (MONO). Le système d'écho BBD interne est déconnecté lorsqu'une fiche est insérée dans la prise AUX RETURN L (MONO).

30 Prises REC OUT L et R

Les bornes REC OUT fournissent un signal de niveau ligne à - 10 dB qui n'est pas affecté par les commandes de niveau maîtres de l'MV422. Les signaux REC OUT peuvent être envoyés à un magnétophone à bande ou à cassette pour enregistrement du programme.

31 Prises MASTER OUT L et R

Les prises MASTER OUT de + 4 dB envoient le signal du programme stéréo principal à l'amplificateur de puissance principal et aux haut-parleurs.

32 Prises ST OUTL/R et commutateur LEVEL

Ces sorties stéréo offrent le choix entre deux niveaux de sortie (- 10 dB ou + 4 dB) et peuvent être utilisées pour envoyer le programme stéréo principal à un second système amplificateur de puissance/haut-parleurs ou à un système d'enregistrement. Réglez le commutateur LEVEL sur le niveau de sortie souhaité.

33 MONO OUT

Cette prise fournit un mixage mono du programme maître stéréo qui peut être utilisé pour attaquer un subwoofer ou un haut-parleur supplémentaire ou pour envoyer le programme dans une pièce séparée.

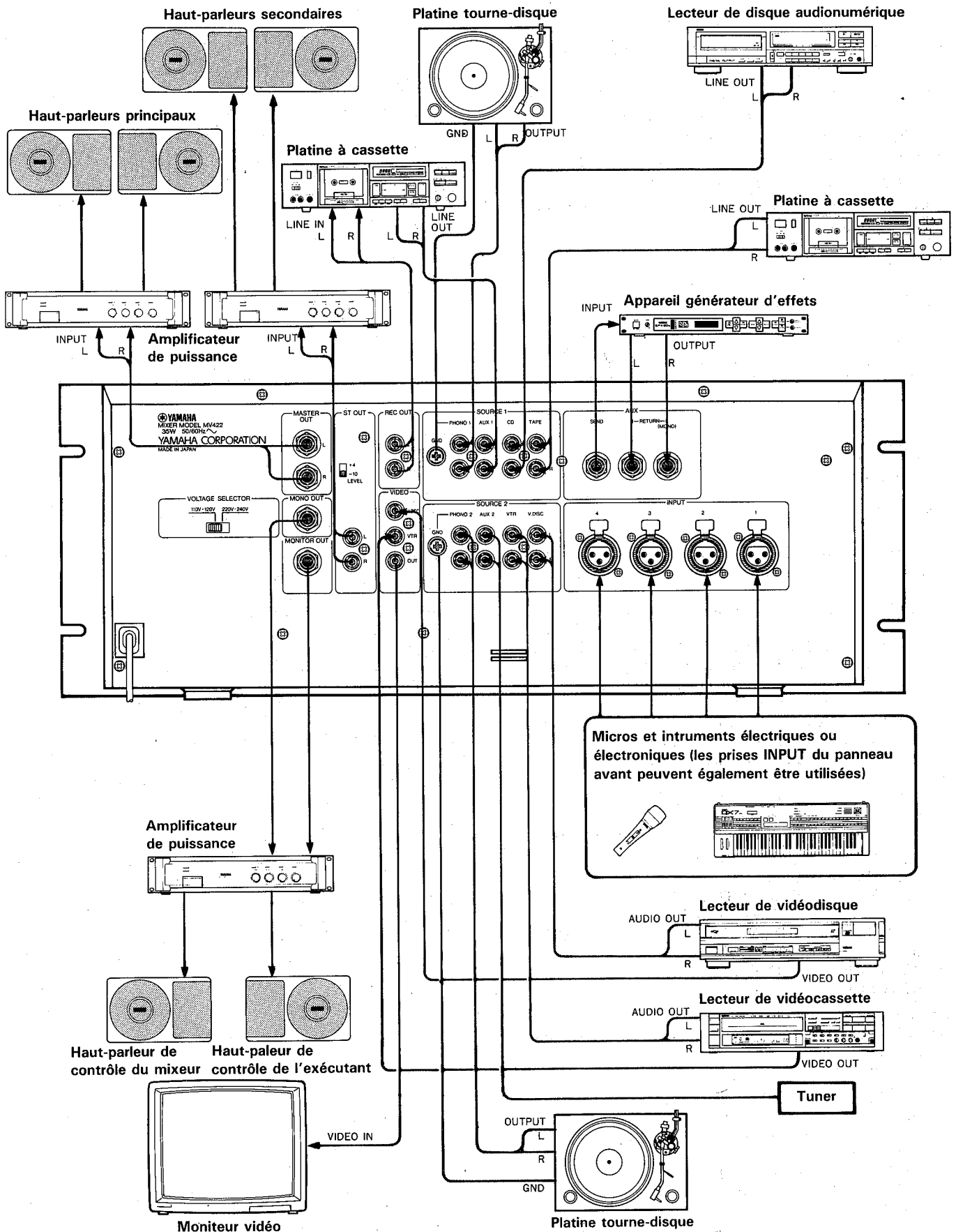
34 MONITOR OUT

Le mixage effectué au moyen des commandes MONITOR du panneau avant est fourni à cette prise de sortie. La sortie MONITOR peut alimenter un système amplificateur de puissance/ haut-parleurs.

35 Sortie AUX SEND

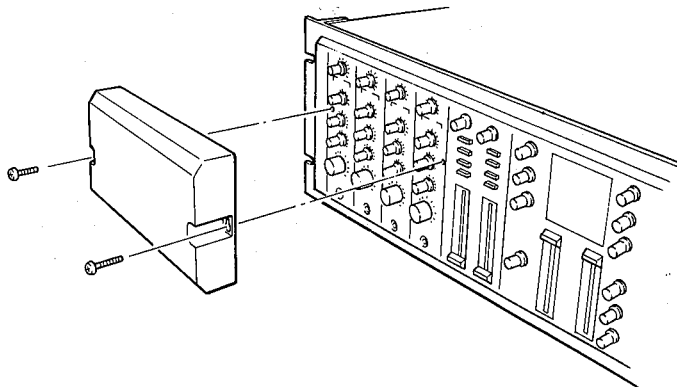
Le mixage AUX effectué au moyen des commandes AUX des canaux est fourni à la fois au système d'écho BBD et à cette prise. Le niveau global du signal fourni à la prise AUX SEND est déterminé par la commande de niveau SEND du panneau avant.

EXEMPLE DE SYSTEME



MISE EN PLACE DU COUVERCLE DE SECURITE

L'MV422 est livré avec un couvercle de sécurité qui empêche toute modification non autorisée des réglages des canaux d'entrée 1 à 4. Il suffit d'aligner les trous des deux côtés du couvercle de sécurité avec les trous de vis à gauche et à droite des canaux d'entrée, puis d'insérer les vis et de les visser avec un tournevis en "+". Lorsqu'il est en place, ce couvercle empêche l'accès aux commandes EQ HIGH et EQ LOW, à la commande AUX, au sélecteur PAN et à la commande MONITOR des canaux



FICHE TECHNIQUE

Distorsion harmonique totale

Moins de 0,1%, 20 Hz ~ 20 kHz @ +14 dB,
MASTER OUT

Réponse en fréquence

+1, -1,5 dB, 20 Hz ~ 20 kHz @ +4 dB

Ronflement et bruit (20 Hz ~ 20 kHz, RS = 150 ohms)

-126 dB équivalent entrée bruit (MIC 1~4, GAIN SW
-50).

-90 dB bruit résiduel à la sortie (MASTER OUT, STEREO
OUT, MONO OUT).

-80 dB sur MASTER, STEREO et MONO OUT avec la
commande de volume maître au niveau nominal
et les commandes de volume de tous les canaux
au niveau minimum.

-68 dB sur MASTER, STEREO et MONO OUT avec la
commande de volume maître et les commandes
de volume de tous les canaux au niveau nomi-
nal, GAIN SW -50.

-94 dB bruit résiduel à la sortie (AUX SEND).

-80 dB sur AUX SEND avec la commande de SEND
au niveau nominal et les commandes AUX des
canaux au niveau minimum.

Gain de tension maximum

66 dB MIC IN (-50) à MASTER OUT

36 dB MIC IN (-20) à MASTER OUT

26 dB TAPE, CD, AUX, V.DISC IN à MASTER OUT

22 dB VCR IN à MASTER OUT

66 dB PHONO IN à MASTER OUT

36 dB AUX RETURN à MASTER OUT

Correction des canaux d'entrée

Amplification ou atténuation maximum de 15 dB dans
chacune des deux bandes.

HIGH: 4 kHz (écrêtage)

LOW: 350 Hz (écrêtage)

Correction maître

Amplification ou atténuation maximum de 15 dB dans cha-
cune des trois bandes.

HIGH: 12 kHz (coupure)

MID: 2 kHz (écrêtage)

LOW: 100 Hz (écrêtage)

Diaphonie

-60 dB à 1 kHz

Indicateurs de niveau

L'indicateur de niveau de crête à DEL affiche le niveau
MASTER OUT.

Indicateurs CLIP

DEL rouge associée à chacun des canaux d'entrée.
S'allume lorsque le signal du canal (après correction) atteint
un niveau situé à 3 dB sous le niveau d'écrtage.

ST AUTO MUTE

Niveau d'atténuation maximum: -50 dB à 1 kHz.

Section vidéo

Tension d'entrée: 1V crête à crête, 75 ohms

Tension de sortie: 1V crête à crête, 75 ohms

Rapport S/B vidéo: 50 dB

Consommation

Modèle pour les Etats-Unis et le Canada: 35 W

Modèle général: 35 W

Dimensions (L x H x P)

480 x 177 x 247 mm

Poids

6,5 kg

Accessoires fournis

Couvercle de sécurité et vis de montage x 2

● **Caractéristiques d'entrée**

Borne d'entrée	INPUT LEVEL	Impédance de charge réelle	Pour utilisation en nominal	Sensibilité	Niveau d'entrée		Connexion dans la table de mixage
					Nominal	Max avant écrêtage	
CH INPUT 1~4	-50	20kΩ	Micros 150~600Ω ou lignes 600Ω	-62dB (0.62mV)	-50dB (2.5mV)	-20dB (78mV)	Type XLR-3-31 (symétrique) Prise "jack" (TRS) (symétrique)
	-35			-47dB (3.5mV)	-35dB (13.8mV)	-5dB (436mV)	
	-20			-32dB (19mV)	-20dB (78mV)	+10dB (2.45V)	
SOURCE 1,2	PHONE	47kΩ	—	-62dB (0.62mV)	-50dB (2.5mV)	-20dB (78mV)	Prise RCA (asymétrique)
	VTR	10kΩ	—	-18dB (97mV)	-6dB (388mV)	+24dB (12.3V)	
	others	10kΩ	—	-22dB (62mV)	-10dB (245mV)	+20dB (7.75V)	
AUX RETURN L, R		10kΩ	Lignes 600Ω	-32dB (19mV)	-20dB (78mV)	+10dB (2.45V)	Prise "jack" (asymétrique)
VIDEO (V.DISC, VTR)		75Ω	75Ω	—	1.0V p-p	1.5V p-p	Prise RCA (asymétrique)

● **Caractéristiques de sortie**

Borne de sortie	LEVEL	Impédance réelle de la source	Pour utilisation en nominal	Niveau de sortie		Connexion dans la table de mixage
				Nominal	Max. avant écrêtage	
MASTER OUT L, R		600Ω	Lignes 10kΩ	+ 4dB (1.23V)	+20dB (7.75V)	Prise "jack" (asymétrique)
ST OUT L, R	-10dB	600Ω	Lignes 10kΩ	-10dB (245mV)	+ 6dB (1.55V)	Prise RCA (asymétrique)
	+4dB			+ 4dB (1.23V)	+20dB (7.75V)	
REC OUT L, R		600Ω	Lignes 10kΩ	-10dB (245mV)	+20dB (7.75V)	Prise RCA (asymétrique)
AUX SEND		600Ω	Lignes 10kΩ	-10dB (245mV)	+20dB (7.75V)	Prise "jack" (asymétrique)
MONO OUT		600Ω	Lignes 10kΩ	+ 4dB (1.23V)	+20dB (7.75V)	Prise "jack" (asymétrique)
MONITOR OUT		600Ω	Lignes 10kΩ	+ 4dB (1.23V)	+20dB (7.75V)	Prise "jack" (asymétrique)
PHONES		100Ω	8Ω Phones	-16dB (1.9mW)	-4.5dB (40mW)	Prise "jack" stéréo (asymétrique)
VIDEO OUT		75Ω	75Ω	1V p-p	1.5V p-p	Prise RCA (asymétrique)

ENTRETIEN

L'entretien de cet appareil est assuré par le réseau mondial Yamaha de personnel d'entretien qualifié et formé en usine des concessionnaires. En cas de problème, prendre contact avec le concessionnaire Yamaha le plus proche.

MULTI-SOURCE MIXER
MV422

Bedienungshandbuch

Vielen Dank,

daß Sie sich für das Mischpult MV422 von Yamaha entschieden haben. Das MV422 bietet vier Mikrofon/Line-Eingänge mit Trim- und Klangregelung, einen AUX Send-Weg und regelbarem Panorama und Monitorpegel. Die beiden zusätzlichen SOURCE-Kanäle sind für Stereosignale von CD-Spielern, Kassettendecks, Plattenspielern, Videorekordern usw. gedacht. Der Wahlschalter SOURCE 2 schaltet sowohl das Ton- als auch das Bildsignal der Quellen VIDEO DISC und VCR. Der CROSS FADE-Regler erleichtert das Ein- und Ausblenden des SOURCE 1 und SOURCE 2-Signals. Das Mischpult ist natürlich mit einem BBD-Echo ausgestattet, das mit dem ECHO FEEDBACK-Regler sehr exakt eingestellt werden kann. Die AUTO MUTE-Schaltung sorgt für eine automatische Reduzierung des Hintergrundsignals ("gain riding"), die den Diskjockeys eine Signalregelung während der Ansage erspart. Auch die Abhörschaltung ist überaus flexibel. Bitte lesen Sie sich dieses Handbuch vor dem Einsatz des MV422 durch und bewahren Sie es an einem sicheren Ort auf, da Sie bestimmt noch einmal brauchen werden.

INHALTSÜBERSICHT

VORSICHTSMASSNAHMEN	26
BEDIENELEMENTE AUF DER OBERSEITE	27
ANSCHLUSSE AUF DER RUCKSEITE	30
ANLAGENBEISPIEL	32
ANBRINGEN DER SICHERHEITSABDECKUNG	33
TECHNISCHE DATEN	33
BLOCKSCHALTBILD	36
ABMESSUNGEN	37

VORSICHTSMASSNHMEN

1. AUFBEWAHRUNG

Meiden Sie sonnige Orte. Auch Staub, Feuchtigkeit, große Temperaturschwankungen und starke Vibration können das MV422 beschädigen.

2. BEHANDLUNG

Sie wissen bestimmt selbst, daß man das MV422 am besten nicht fallenläßt. Behandeln Sie es daher mit der gebührenden Umsicht.

3. DIESES GERÄT DARF VON UNBEFUGTEN PERSONEN WEDER UMGEBAUT NOCH REPARIERT WERDEN.

Lassen Sie das MV422 nur vom qualifizierten Yamaha-Kundendienst reparieren, da nur so der Garantieanspruch gewahrt wird.

4. VOR DEM ANSCHLIEßEN AUSSCHALTEN

Schalten Sie das Gerät aus, bevor Sie Kabel anschließen oder abtrennen. Nur so wird sichergestellt, daß das MV422 und auch die angeschlossenen Geräte nicht beschädigt werden.

5. KABEL

Ziehen Sie nach Möglichkeit immer nur an den Steckern, nie an den Kabeln, um das Reißen der Drähte und Kurzschlüsse zu vermeiden. Wenn das MV422 längere Zeit nicht gebraucht werden soll, zieht man am besten den Netzstecker.

6. ZUM REINIGEN ODER ABSTAUBEN NUR EIN STAUBTUCH GEBRAUCHEN

Benzol oder andere chemische Lösungsmittel greifen das Finish an und Wasser beschädigt die Schaltkreise.

7. IMMER DIE RICHTIGE NETZSPANNUNG VERWENDEN

Überzeugen Sie sich vor dem Einsatz, daß die Netzspannung in Ihrem Land den Anforderungen des MV422 gerecht wird.

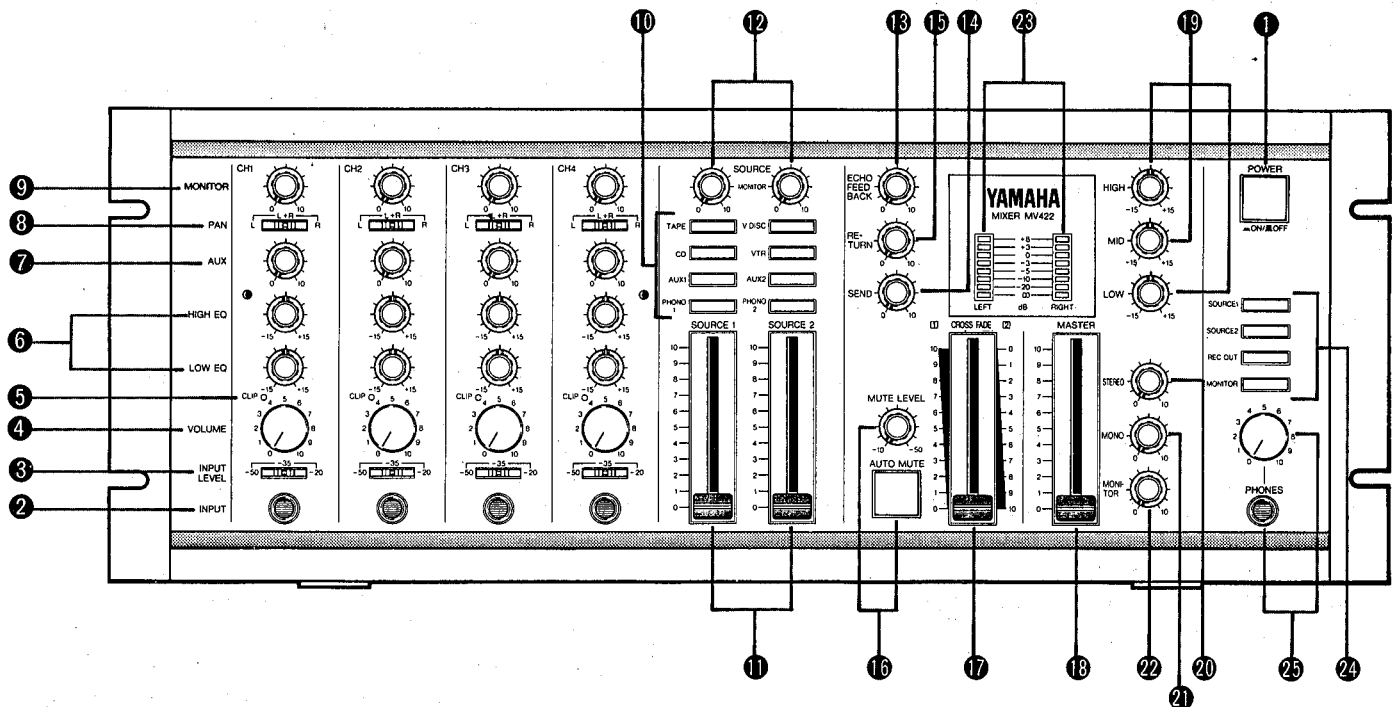
8. SCHALTEN SIE DIE ANGESCHLOSSENEN VERSTÄRKER VOR DEM VORNEHMEN VON ANSCHLÜßEN AUS

Beim Auswechseln des Mikrofons oder beim Ändern der Anschlüsse muß der MASTER-Regler des MV422 völlig heruntergezogen werden.

9. EINSCHALTEN

Schalten Sie das MV422 immer VOR den Verstärkern ein und NACH ihnen aus.

BEDIENELEMENTE AUF DER OBERSEITE



1 POWER-Schalter

Einmal drücken, um das MV422 einzuschalten und noch einmal drücken, um es auszuschalten. (Nach dem Einschalten leuchten die beiden " ** " MASTER LEVEL-Meter.)

2 INPUT-Buchsen

An diese Buchsen kann man sowohl symmetrische als auch unsymmetrische Kabel anschließen (Mikrofone, elektronische Instrumente). Beim Gebrauch von symmetrischen Kabeln sollten TRS-Klinken verwendet werden (tip = heiß, ring = kalt, sleeve = Schirmung). Für unsymmetrische Signale sind mono Klinken zu verwenden. Die XLR-Buchsen befinden sich auf der Geräterückseite (siehe "ANSCHLÜSSE AUF DER RÜCKSEITE"). Jedoch haben die Buchsen auf der Oberseite Vorrang vor den XLR-Anschlüssen, so daß die entsprechende XLR-Buchse bei Verwendung der Klinkenbuchse automatisch ausgeschaltet wird.

3 INPUT LEVEL-Wahlschalter

Mit dem INPUT LEVEL-Schalter kann man eine Eingangsempfindlichkeit von -50dB , -35dB oder -20dB anwählen. Die Einstellung gilt sowohl für Buchsen auf der Oberseite als auch für die rückseitigen. Es ist empfehlenswert, diesen Wahlschalter folgendermaßen einzustellen:

EINGANGSSIGNAL	EINSTELLUNG
Elektronische Instrumente Niedriger Signalpegel (Stereoanlagen)	-20dB
Elektronische Musikinstrumente Hochpegelige Mikrofone (Kondensator)	-35dB
Niederpegelige Mikrofone (dynamische Mikrofone)	-50dB

4 VOLUME-Regler

Jeder der vier Mikrofon/Instrument-Kanalzüge des MV422 enthält einen Lautstärkeregler, mit dem man den Pegel des entsprechenden Signals in der Gesamtabmischung einstellt. Drehen Sie die Regler nicht verwendeter Kanäle nach Möglichkeit immer auf 0.

5 CLIP-Anzeige

Diese Diode leuchtet, sobald das anliegende Signal einen Pegel erreicht, der 3 dB unter dem Verzerrungspunkt der Eingangsstufe liegt. Diese Dioden dürfen gelegentlich aufflackern, aber nicht fortwährend brennen, da der Eingangspegel sonst zu hoch ist. Verringern Sie in solchen Fällen die INPUT LEVEL- und nötigenfalls die VOLUME-Einstellung.

6 Die Regler HI EQ und LOW EQ

Die Regler HI EQ bzw. LOW EQ erlauben ein Anheben/Absenken der Frequenzbänder 4kHz bzw. 350Hz um ± 15 dB. Drehen Sie sie im Uhrzeigersinn, um die entsprechende Frequenz anzuheben und gegen den Uhrzeigersinn, um sie abzusenken. In der Mittelstellung beeinflussen Sie das Signal nicht.

7 AUX-Regler

Mit diesem Regler stellt man den Effektanteil für die Kanalzüge ein. Ist kein Peripheriegerät an das MV422 angeschlossen, so wird der entsprechende Kanal durch Drehen des AUX-Reglers im Uhrzeigersinn mit dem eingebauten BBD-Echo versehen. Das AUX-Signal wird hinter den Fadern (d.h. hinter dem VOLUME-Regler) abgegriffen, so daß man durch Ändern des Ausgangspegels auch den Effektanteil ändert. Wenn ein Peripherie-Gerät an das MV422 angeschlossen wird, so wird der BBD-Echoeffekt automatisch umgangen. (Siehe "RETURN-Regler").

8 PAN-Regler

Mit diesen Reglern bestimmt man die Stereoposition des betreffenden Signals. Wenn Sie für einen Kanal "L" anwählen, so wird das Signal nur über den linken Stereokanal wiedergegeben. Bei der Anwahl von "L + R" hingegen, geht das Signal über beide Kanäle (rechts und links). Das bedeutet, daß das Signal bei einer Einstellung auf "R" nur dem rechten Kanal zugeführt wird.

9 MONITOR-Regler

Mit diesen Reglern bestimmt man den Pegel eines Signals im Abhörbus. Das Signal liegt an den rückseitigen MONITOR-Anschlüssen und der PHONES-Buchse auf der Oberseite an. Die Klangregelung wirkt sich auch auf das MONITOR-Signal aus. Der Echoeffekt oder das externe Effektsignal sind aber nicht vorhanden.

10 Die Wahlschalter SOURCE 1 und SOURCE 2

Neben den vier Kanalzügen bietet das MV422 noch zwei Line-Eingänge (SOURCE 1 und SOURCE 2), an die man sehr verschiedenartige Quellen anschließen kann. Mit den Wahlschaltern wird die Signalquelle angewählt: Mit SOURCE 1 haben Sie Zugriff auf TAPE, CD, AUX 1 und PHONO. Mit SOURCE 2 haben Sie die Wahl zwischen VIDEO DISC, VTR, AUX 2 und PHONO. Die angewählte(n) Quelle(n) werden gemeinsam mit den Signalen der vier Kanalzüge ausgegeben. Wenn Sie eine Videoquelle anwählen (VIDEO DISC oder VTR), werden sowohl der Ton als auch das Bild ausgegeben. Das Bild liegt an den Buchsen VIDEO OUT an, sofern Sie den Videoausgang des betreffenden Geräts mit den Buchsen VIDEO IN verbinden.

11 Die Regler SOURCE 1 und SOURCE 2

Mit diesen Reglern stellt man den Pegel der SOURCE-Signale ein. Der Regler SOURCE 1 dient zum Einstellen des SOURCE 1-Pegels und der Regler SOURCE 2 zum Einstellen des SOURCE 2-Pegels.

12 MONITOR-Regler für SOURCE 1 und SOURCE 2

Mit diesen Reglern bestimmt man den Pegel eines Signals im Abhörbus. Das Signal liegt an den rückseitigen MONITOR-Anschlüssen und der PHONES-Buchse auf der Oberseite an.

13 ECHO FEEDBACK-Regler

Mit diesem Regler bestimmt man den Feedbackanteil, d.h. die Länge, des BBD Echo-Signals.

14 SEND-Regler

Mit dem SEND-Regler stellt man den Gesamtpegel der Signale ein, die an der rückseitigen Buchse AUX SEND anliegen. Diese Buchsen kann man aber auch dazu verwenden, um das MV422 mit einem zweiten Verstärker zu verbinden. In diesem Fall wird das BBD-Echo nicht umgangen.

15 RETURN-Regler

Der Pegel des internen Echo- oder Peripherieeffekt-signals in der Stereosumme. Ist das externe Effektgerät stereo ausgelegt, so müssen Sie dessen Ausgänge mit beiden AUX RETURN-Buchsen verbinden. Sobald Sie ein Gerät an die AUX RETURN L-Buchse anschließen, wird das BBD-Echo ausgeschaltet. Wenn Sie weder das Echo noch das externe Effektsignal wünschen, sollten Sie den RETURN-Regler auf 0 stellen.

16 MUTE LEVEL-Regler und AUTO MUTE-Schalter

"Gain riding" oder "ducking" bedeutet, daß das Hintergrundsignal dank der AUTO MUTE-Funktion beim Sprechen automatisch reduziert wird. Sobald Sie die AUTO MUTE-Taste drücken, wird der Pegel der vier Kanäle um den mit dem MUTE LEVEL-Regler eingestellten Wert reduziert. Wurde " - 50" eingestellt, so wird die maximale Dämpfung erzielt. Mit dem Haltedauer- und und Freigabe-Trimmregler auf der Unterseite des MV422 kann man die AUTO MUTE-Funktion feinregeln.

17 CROSS FADE-Regler

Das Überblenden von SOURCE 1 zu SOURCE 2 wird durch diesen Regler erheblich erleichtert: Fahren Sie ihn hoch, so erhöhen Sie den Pegel des SOURCE 1-Signals; ziehen Sie ihn herunter, so erhöhen Sie den Pegel des SOURCE 2-Signals. In der Mittelstellung ist der Pegel für beide Kanäle gleich.

18 MASTER-Regler

Hier stellt man den Gesamtpegel ein, der an den Buchsen MASTER OUT L und R anliegt.

19 Klangregelung HIGH MID, LOW

Diese Klangregelung gilt für die Stereosumme, die an den Buchsen MASTER L&R, STEREO L&R sowie MONO OUT anliegt.

HIGH: $\pm 15\text{dB}$ bei 12kHz (Kuhschwanz)

MID: $\pm 15\text{dB}$ bei 2kHz (Glocke)

LOW: $\pm 15\text{dB}$ (Kuhschwanz)

20 STEREO-Pegelregler

Hiermit stellt man den Pegel des Signals ein, das an den Buchsen STEREO OUT L&R anliegt.

21 MONO-Pegelregler

Regelung des Pegels eines MONO-Signals (Kombination des rechten und linken Kanals), das an der rückseitigen MONO OUT-Buchse anliegt.

22 MONITOR-Pegelregelung

Das MV422 ist mit einer MONITOR OUT-Buchse (Rückseite) ausgestattet. Mit dem MONITOR-Regler stellt man den Pegel des hier anliegenden Signals ein. Das MONITOR OUT-Signal enthält die Abhörsignale der vier Mikrofon/Instrumentkanäle und der Kanäle SOURCE 1 und SOURCE 2.

23 Pegelanzeige

Diese schnell reagierenden LED-Peakanzeigen geben den Pegel des an den MASTER-Ausgängen anliegenden Signals wieder. Zeigen diese Anzeigen fortwährend den Höchstpegel an, so ist der Ausgangspegel zu hoch.

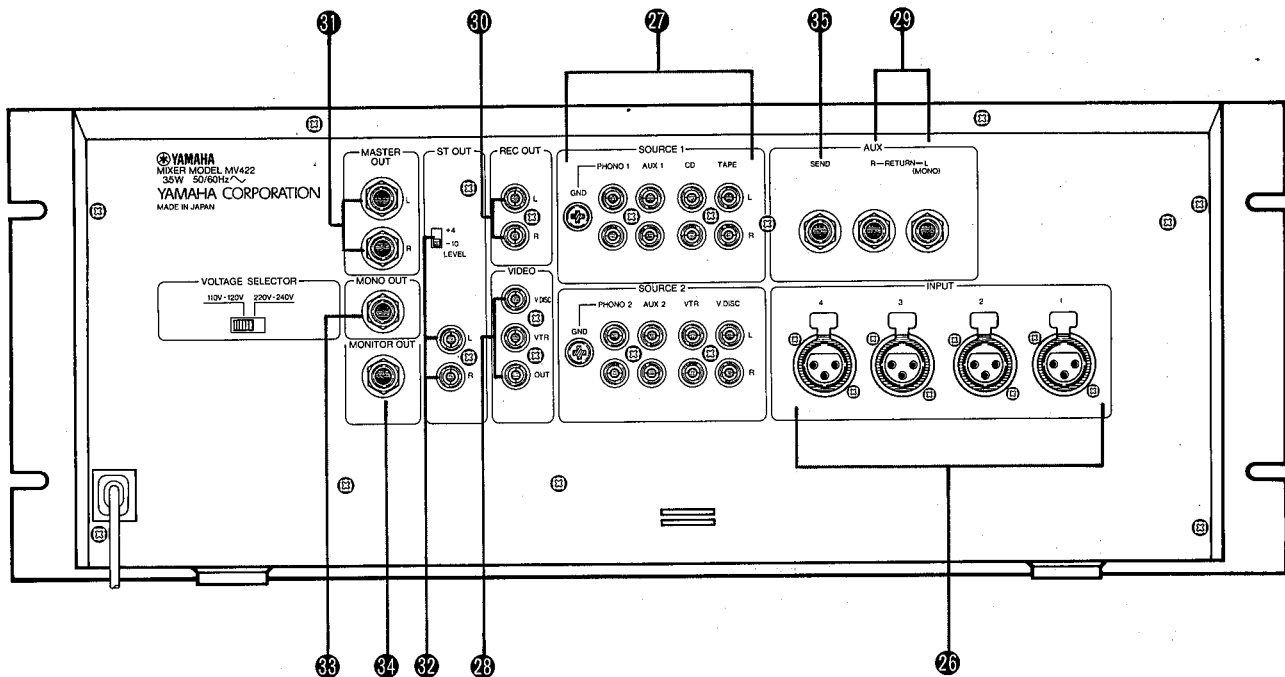
24 PHONES-Monitorwahlschalter

Mit diesen Schaltern wählt man das Monitorsignal (SOURCE 1, SOURCE 2, REC OUT und MONITOR), das an der Kopfhörerbuchse PHONES anliegen soll.

25 PHONES-Pegelregler und Buchse

An diese Buchse kann man einen Stereokopfhörer anschließen. Das Signal, das im Kopfhörer wiedergegeben wird, wählt man mit den PHONES-Monitorschaltern an (s.o.).

ANSCHLÜSSE AUF DER RÜCKSEITE



26 INPUT 1 ~ 4

Die vier XLR-Buchsen haben dieselbe Funktion wie die Klinkenbuchsen auf der Oberseite. Die Verdrahtung ist folgende: 1. Stift = Schirmung, 2. Stift = heiß, 3. Stift = kalt (DIN-genormt). Schließen Sie ein Kabel an eine INPUT-Klinkenbuchse an, so wird die entsprechende XLR-Buchse automatisch ausgeschaltet.

27 SOURCE 1- und SOURCE 2-Eingang

Hierbei handelt es sich um Cinch-Buchsen. Bitte beachten Sie beim Anschließen der einzelnen Quellen die Beschriftung auf der Rückseite.

SOURCE 1

- TAPE Bandmaschine oder Deck
- CD CD-Spieler
- AUX 1 Jeder Standard-Audiobaustein
- PHONO 1 Plattenspieler mit MM oder hochpegeliger MC-Tonabnehmer

SOURCE 2

- V. DISC Bildplattenspieler (oder Videorekorder)
- VTR Videorekorder oder Bildplattenspieler
- AUX 2 Jeder Standard-Audiobaustein
- PHONO 2 MM- oder hochpegeliger MC-Tonabnehmer

28 VIDEO Eingänge und VIDEO OUT-Buchsen

Die Videoausgänge des Bildplattenspielers oder Videorekorders müssen hier angeschlossen werden (man kann auch zwei Geräte derselben Sorte verwenden). Das Videosignal, das mit dem SOURCE 2-Schalter angewählt wurde, liegt an den VIDEO OUT-Buchsen an, die gewöhnlich mit einem Fernsehgerät verbunden werden.

29 Eingänge AUX RETURN L&R

Verbinden Sie die Ausgänge des Peripheriegeräts (Delay, Reverb usw.) mit diesen Buchsen, um das Effektgerät dem Stereobus zuzumischen. Ist das Effektgerät mono, so sollten Sie dessen Ausgang mit der Buchse AUX RETURN L (MONO) verbinden. Schließen Sie ein Kabel an diese Buchse an, so wird der interne BBD-Echoeffekt ausgeschaltet.

30 Ausgänge REC OUT L und R

Die Buchsen REC OUT geben ein Signal von -10dB aus, das von keinem der MASTER-Regler beeinflusst wird. Das Signal kann auf Kassette oder Band aufgenommen werden.

31 Ausgänge MASTER OUT L&R

An den $+4\text{dB}$ -Buchsen MASTER OUT liegt das abgemischte Stereosignal an und kann verstärkt werden.

32 Ausgänge ST OUT L&R und LEVEL-Regler

Der Ausgangspegel dieser Buchsen ist umschaltbar (-10db und +4dB). Das Signal kann z.B. zu einem 2. Verstärker gesendet werden. Mit dem LEVEL-Regler stellt man den Ausgangspegel ein.

33 MONO OUT

An diesen Buchsen liegt das kombinierte Signal des rechten und linken Kanals an, das man z.B. zum Ansteuern eines Mittelkanals oder einer Subwooferanlage verwenden kann.

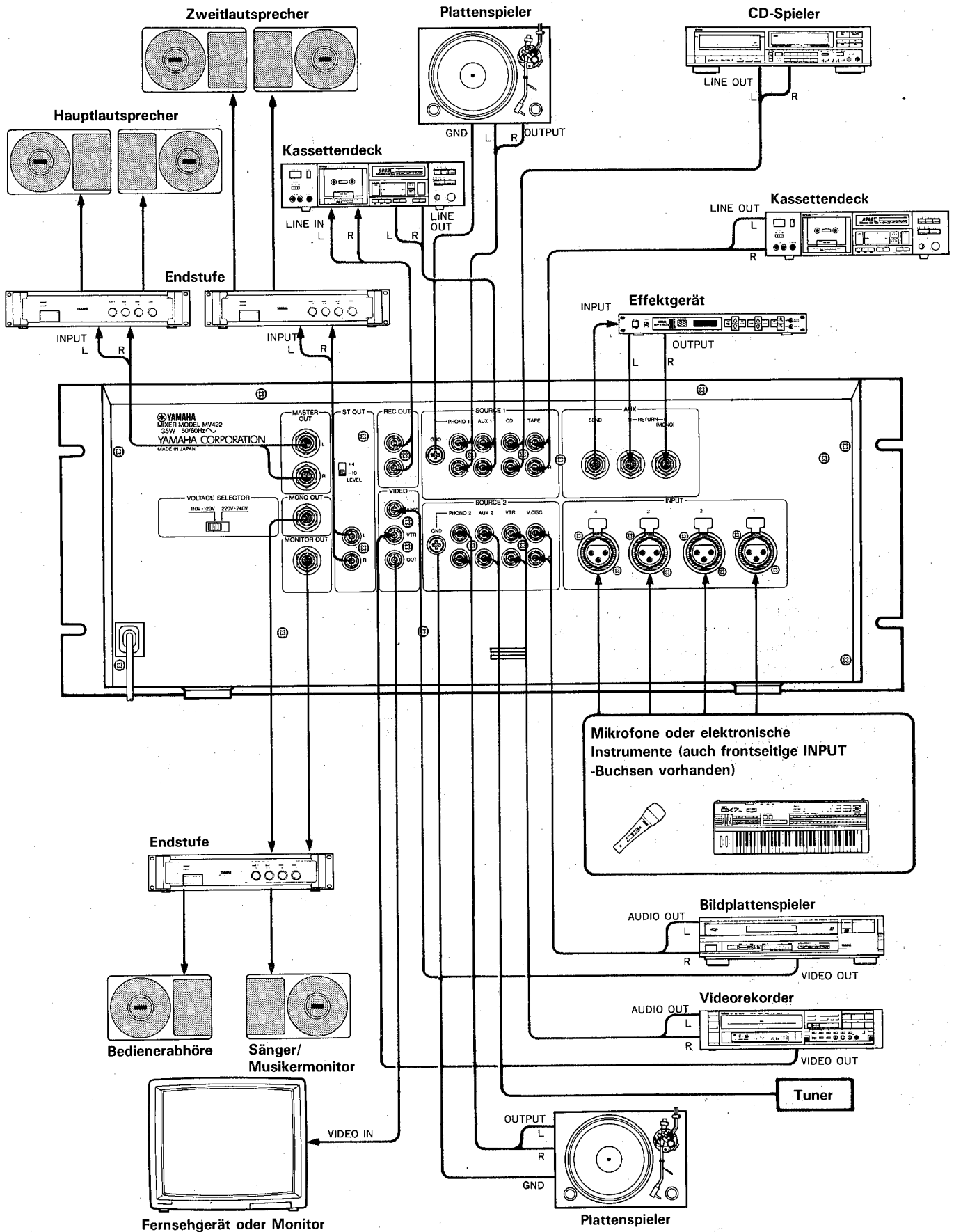
34 Buchse MONITOR OUT

Hier liegt das Signal der Abhörsumme (Monitor) an. Auch die MONITOR-Buchse kann z.B. mit einer Endstufe, einer Kopfhörer- oder Monitoranlage verbunden werden.

35 AUX SEND-Ausgang

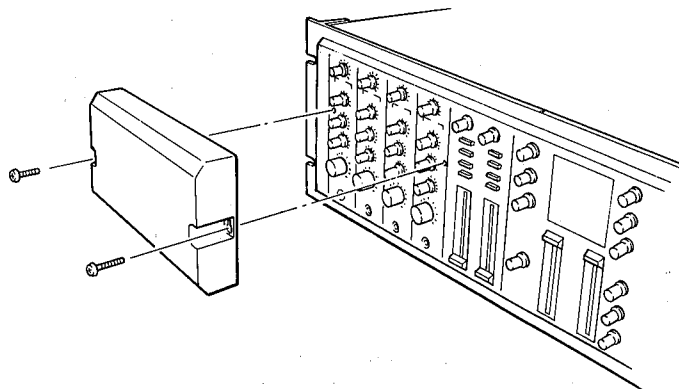
Der Signalanteil, der dem BBD-Echo zugeführt wird, liegt auch an dieser Buchse an. Der AUX-Summenpegel wird durch den SEND-Regler eingestellt.

ANLAGENBEISPIEL



ANBRINGEN DER SICHERHEITSSABDECKUNG

Zum Lieferumfang des MV422 gehört eine Sicherheitsabdeckung, die verhindert, daß Unbefugte die Einstellungen der Kanäle 1~4 verändern. Bringen Sie die Abdeckung an und ziehen Sie die Schrauben mit einem Kreuzkopfschlüssel fest. Dadurch sind die Regler HIGH, LOW, AUX, PAN und MONITOR unerreichbar.



TECHNISCHEDATEN

Klirrfaktor

Weniger als 0,1%, 20Hz~20kHz @ +14dB,
MASTER OUT

Frequenzgang

+1, -1,5dB, 20~20kHz @ +4dB

Brummen und Rauschen (20Hz~20kHz, Widerst. = 150Ω)

- 126dB rauschäquivalente Eingangsgröße (MIC 1~4, GAIN-Schalter -50)
- 90dB Restrauschen (MASTER OUT, STEREO OUT, MONO OUT)
- 80dB an den Buchsen MASTER, STEREO und MONO OUT, MASTER-Regler auf dem Nennpegel und alle Kanalpegelreglern auf Minimalpegel
- 68dB an den Buchsen MASTER, STEREO und MONO OUT, MASTER-Regler und alle Kanalpegelregler auf Minimalpegel, GAIN-Schalter auf -50.
- 94dB Restrauschen (AUX SEND)
- 80dB an AUX SEND, SEND-Regler auf Nennpegel und alle AUX-Regler auf Minimalpegel.

Maximale Spannungsverstärkung

66dB MIC IN (-50) zu MASTER OUT
36dB MIC IN (-20) zu MASTER OUT
26dB TAPE, CD, AUX, V.DISC IN zu MASTER OUT
22dB VTR IN zu MASTER OUT
66dB PHONO IN zu MASTER OUT
36dB AUX RETURN zu MASTER OUT

INPUT-Kanalentzerrung

Max. 15dB Anhebung oder Absenkung für beide Bänder
HI: 4kHz (Glocke)
LOW: 350Hz (Glocke)

MASTER-Entzerrung

Max. 15dB Anhebung oder Absenkung für alle drei Bänder
HIGH: 12kHz (Kuhschwanz)
MID: 2kHz (Glocke)
LOW: 100Hz (Kuhschwanz)

Übersprechbedämpfung

-60dB bei 1kHz

Anzeige

LED-Pegelanzeige des MASTER OUT-Pegels

CLIP-Anzeige

Rote LED für jeden Kanalzug. Leuchtet, sobald der Signalpegel (hinter der Klangregelung) 3dB unter dem Verzerrungspunkt liegt.

ST AUTO MUTE

Max. -50 Dämpfung des Pegels bei 1kHz

Videsektion

Eingangsspannung: 1V p-p, 75Ω
Ausgangsspannung: 1V p-p, 75Ω
Video Fremdspannungsabstand: 50dB

Leistungsaufnahme

Modell für die USA und Kanada 35W
Allgemeines Modell 35W

Abmessungen (B x H x T)

480 x 177 x 247mm

Gewicht

6,5kg

Lieferumfang

Sicherheitsabdeckung und 2 Schrauben

● Eingang

Eingangsbuchse	Eingangspiegel	Verbraucherimpedanz	Mit Nennpegel	Empfindlichkeit	Eingangspiegel		Pultanschluß
					Nennpegel	Max. vor dem Verzerrungspunkt	
CH INPUT 1~4	-50	20kΩ	150–600Ω Mikrofon oder 600Ω Line	-62dB (0.62mV)	-50dB (2.5mV)	-20dB (78mV)	Typ XLR-3-31 (Symmetrisch) TRS Phone-Buchse (Symmetrisch)
	-35			-47dB (3.5mV)	-35dB (13.8mV)	-5dB (436mV)	
	-20			-32dB (19mV)	-20dB (78mV)	+10dB (2.45V)	
SOURCE 1,2	PHONE	47kΩ	–	-62dB (0.62mV)	-50dB (2.5mV)	-20dB (78mV)	RCA-Buchse (Unsymmetrisch)
	VTR	10kΩ	–	-18dB (97mV)	-6dB (388mV)	+24dB (12.3V)	
	others	10kΩ	–	-22dB (62mV)	-10dB (245mV)	+20dB (7.75V)	
AUX RETURN L, R		10kΩ	600Ω Line	-32dB (19mV)	-20dB (78mV)	+10dB (2.45V)	Phone-Buchse (Unsymmetrisch)
VIDEO (V.DISC, VTR)		75Ω	75Ω	–	1.0V p-p	1.5V p-p	RCA-Buchse (Unsymmetrisch)

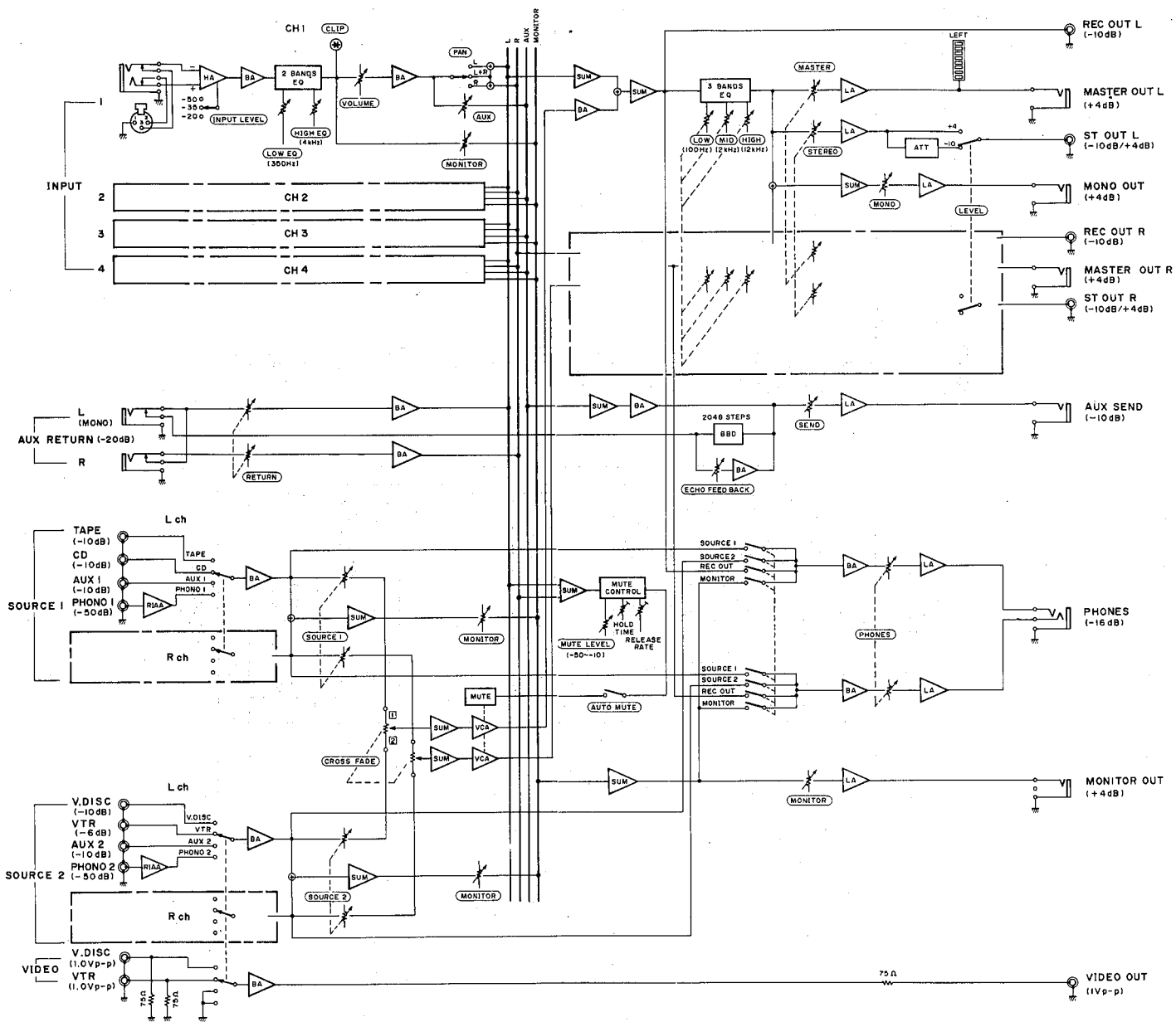
● Ausgang

Ausgangsbuchse	PEGEL	Ausgangs-impedanz	Mit Nennpegel	Ausgangspegel		Pultanschluß
				Nennpegel	Max. vor dem Verzerrungspunkt	
MASTER OUT L, R		600Ω	10kΩ Line	+ 4dB (1.23V)	+ 20dB (7.75V)	Phone-Buchse (Unsymmetrisch)
ST OUT L, R	-10dB	600Ω	10kΩ Line	-10dB (245mV)	+ 6dB (1.55V)	RCA-Buchse (Unsymmetrisch)
	+4dB			+ 4dB (1.23V)	+ 20dB (7.75V)	
REC OUT L, R		600Ω	10kΩ Line	-10dB (245mV)	+ 20dB (7.75V)	RCA-Buchse (Unsymmetrisch)
AUX SEND		600Ω	10kΩ Line	-10dB (245mV)	+ 20dB (7.75V)	Phone-Buchse (Unsymmetrisch)
MONO OUT		600Ω	10kΩ Line	+ 4dB (1.23V)	+ 20dB (7.75V)	Phone-Buchse (Unsymmetrisch)
MONITOR OUT		600Ω	10kΩ Line	+ 4dB (1.23V)	+ 20dB (7.75V)	Phone-Buchse (Unsymmetrisch)
PHONES		100Ω	8Ω Phones	-16dB (1.9mW)	-4.5dB (40mW)	Stereo Phone-Buchse (Unsymmetrisch)
VIDEO OUT		75Ω	75Ω	1V p-p	1.5V p-p	RCA-Buchse (Unsymmetrisch)

KUNDENDIENST

Für dieses Gerät steht das weltweite Yamaha Kundendienstnetz mit qualifiziertem, werkgeschultem Personal zur Verfügung. Bei Störungen und Problemen wenden Sie sich bitte an Ihren Yamaha-Händler.

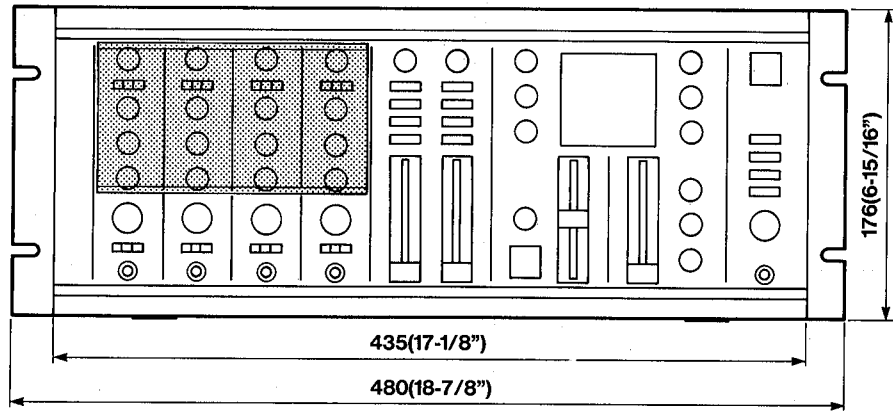
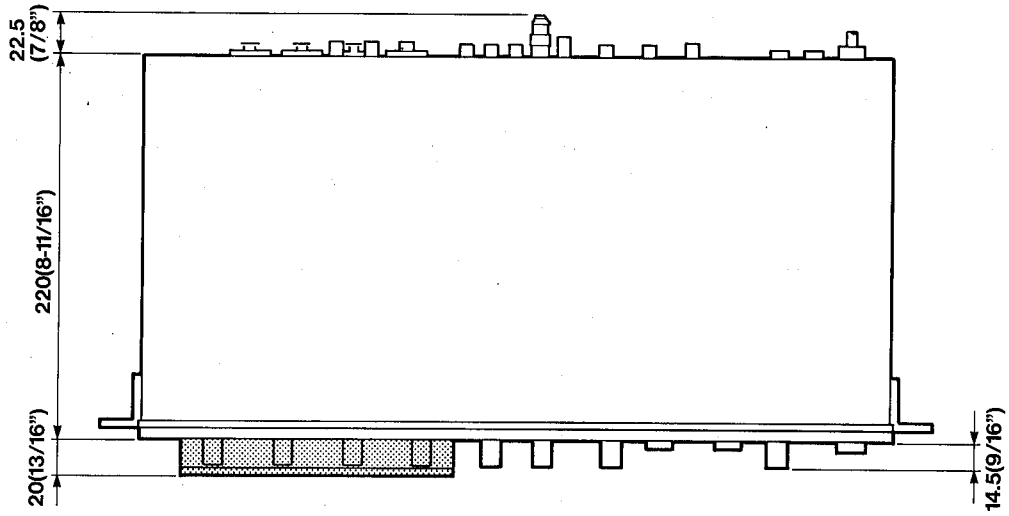
BLOCK DIAGRAM SCHEMA DE PRINCIPE BLOCKSCHALTBIKD



DIMENSIONS

DIMENSIONS

ABMESSUNGEN



Unit: mm (Inch)

YAMAHA

YAMAHA CORPORATION
1, P.O. Box 1, Hamamatsu, Japan

8712   Printed in Japan