



**L2 Switch**  
**Commutateur Réseau L2**  
**Switch L2**  
**Коммутатор Второго Уровня**

# **SWR2100P-10G**

# **SWR2100P-5G**

**Owner's Manual**  
**Bedienungsanleitung**  
**Mode d'emploi**  
**Manual de instrucciones**  
**Manuale di istruzioni**  
**Руководство пользователя**

English

Deutsch

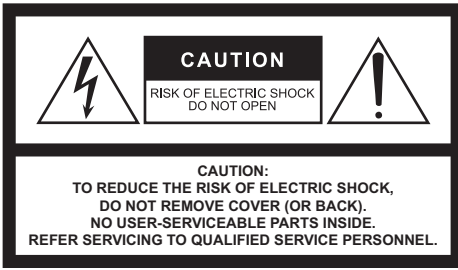
Français

Español

Italiano

Русский

**EN**  
**DE**  
**FR**  
**ES**  
**IT**  
**RU**



The above warning is located on the top of the unit.



L'avertissement ci-dessus est situé sur le dessus de l'unité.

## Explanation of Graphical Symbols Explication des symboles



The lightning flash with arrowhead symbol within an equilateral triangle is intended to alert the user to the presence of uninsulated "dangerous voltage" within the product's enclosure that may be of sufficient magnitude to constitute a risk of electric shock to persons. L'éclair avec une flèche à l'intérieur d'un triangle équilatéral est destiné à attirer l'attention de l'utilisateur sur la présence d'une « tension dangereuse » non isolée à l'intérieur de l'appareil, pouvant être suffisamment élevée pour constituer un risque d'électrocution.



The exclamation point within an equilateral triangle is intended to alert the user to the presence of important operating and maintenance (servicing) instructions in the literature accompanying the product. Le point d'exclamation à l'intérieur d'un triangle équilatéral est destiné à attirer l'attention de l'utilisateur sur la présence d'instructions importantes sur l'emploi ou la maintenance (réparation) de l'appareil dans la documentation fournie.

## IMPORTANT SAFETY INSTRUCTIONS

- 1 Read these instructions.
- 2 Keep these instructions.
- 3 Heed all warnings.
- 4 Follow all instructions.
- 5 Do not use this apparatus near water.
- 6 Clean only with dry cloth.
- 7 Do not block any ventilation openings. Install in accordance with the manufacturer's instructions.
- 8 Do not install near any heat sources such as radiators, heat registers, stoves, or other apparatus (including amplifiers) that produce heat.
- 9 Do not defeat the safety purpose of the polarized or grounding-type plug. A polarized plug has two blades with one wider than the other. A grounding type plug has two blades and a third grounding prong. The wide blade or the third prong are provided for your safety. If the provided plug does not fit into your outlet, consult an electrician for replacement of the obsolete outlet.
- 10 Protect the power cord from being walked on or pinched particularly at plugs, convenience receptacles, and the point where they exit from the apparatus.
- 11 Only use attachments/accessories specified by the manufacturer.
- 12 Use only with the cart, stand, tripod, bracket, or table specified by the manufacturer, or sold with the apparatus. When a cart is used, use caution when moving the cart/apparatus combination to avoid injury from tip-over.
- 13 Unplug this apparatus during lightning storms or when unused for long periods of time.
- 14 Refer all servicing to qualified service personnel. Servicing is required when the apparatus has been damaged in any way, such as power-supply cord or plug is damaged, liquid has been spilled or objects have fallen into the apparatus, the apparatus has been exposed to rain or moisture, does not operate normally, or has been dropped.



**WARNING**  
TO REDUCE THE RISK OF FIRE OR ELECTRIC SHOCK, DO NOT EXPOSE THIS APPARATUS TO RAIN OR MOISTURE.

(UL60065\_03)

## PRÉCAUTIONS CONCERNANT LA SÉCURITÉ

- 1 Lire ces instructions.
- 2 Conserver ces instructions.
- 3 Tenir compte de tous les avertissements.
- 4 Suivre toutes les instructions.
- 5 Ne pas utiliser ce produit à proximité d'eau.
- 6 Nettoyer uniquement avec un chiffon propre et sec.
- 7 Ne pas bloquer les orifices de ventilation. Installer l'appareil conformément aux instructions du fabricant.
- 8 Ne pas installer l'appareil à proximité d'une source de chaleur comme un radiateur, une bouche de chaleur, un poêle ou tout autre appareil (y compris un amplificateur) produisant de la chaleur.
- 9 Ne pas modifier le système de sécurité de la fiche polarisée ou de la fiche de terre. Une fiche polarisée dispose de deux broches dont une est plus large que l'autre. Une fiche de terre dispose de deux broches et d'une troisième pour le raccordement à la terre. Cette broche plus large ou cette troisième broche est destinée à assurer la sécurité de l'utilisateur. Si la fiche équipant l'appareil n'est pas compatible avec les prises de courant disponibles, faire remplacer les prises par un électricien.
- 10 Acheminer les cordons d'alimentation de sorte qu'ils ne soient pas pénétrés ni coincés, en faisant tout spécialement attention aux fiches, prises de courant et au point de sortie de l'appareil.
- 11 Utiliser exclusivement les fixations et accessoires spécifiés par le fabricant.
- 12 Utiliser exclusivement le chariot, le stand, le trépied, le support ou la table recommandés par le fabricant ou vendus avec cet appareil. Si l'appareil est posé sur un chariot, déplacer le chariot avec précaution pour éviter tout risque de chute et de blessure.
- 13 Débrancher l'appareil en cas d'orage ou lorsqu'il doit rester hors service pendant une période prolongée.
- 14 Confier toute réparation à un personnel qualifié. Faire réparer l'appareil s'il a subi tout dommage, par exemple si la fiche ou le cordon d'alimentation est endommagé, si du liquide a coulé ou des objets sont tombés à l'intérieur de l'appareil, si l'appareil a été exposé à la pluie ou à de l'humidité, si l'appareil ne fonctionne pas normalement ou est tombé.



**AVERTISSEMENT**  
POUR RÉDUIRE LES RISQUES D'INCENDIE OU DE DÉCHARGE ÉLECTRIQUE, N'EXPOSEZ PAS CET APPAREIL À LA PLUIE OU À L'HUMIDITÉ.

(UL60065\_03)

# FCC INFORMATION (U.S.A.)

## 1. IMPORTANT NOTICE:

### DO NOT MODIFY THIS UNIT!

This product, when installed as indicated in the instructions contained in this manual, meets FCC requirements. Modifications not expressly approved by Yamaha may void your authority, granted by the FCC, to use the product.

2. **IMPORTANT:** When connecting this product to accessories and/or another product use only high quality shielded cables. Cable/s supplied with this product MUST be used. Follow all installation instructions. Failure to follow instructions could void your FCC authorization to use this product in the USA.

3. **NOTE:** This product has been tested and found to comply with the requirements listed in FCC Regulations, Part 15 for Class "A" digital devices. Compliance with these requirements provides a reasonable level of assurance that your use of this product, in a commercial environment, will not result in harmful interference with other electronic devices. However, operation of this product in a residential area is likely to cause interference in some form. In this case you, the user, bear the responsibility of correcting this condition.

This product generates/uses radio frequencies and, if not installed and used according to the instructions found in the

users manual, may cause interference harmful to the operation of other electronic devices. Compliance with FCC regulations does not guarantee that interference will not occur in all installations. If this product is found to be the source of interference, which can be determined by turning the product "OFF" and "ON", please try to eliminate the problem by using one of the following measures:

Relocate either the product generating the interference or the device that is being affected by the interference.

Utilize power outlets that are on different branch (circuit breaker or fuse) circuits or install AC line filter/s.

In the case of radio or TV interference, relocate/reorient the antenna. If the antenna lead-in is 300 ohm ribbon lead, change the lead-in to co-axial type cable.

If these corrective measures do not produce satisfactory results, please contact the local retailer that is authorized to distribute this type of product. If you can not locate the appropriate retailer, please contact Yamaha Corporation of America, Electronic Service Division, 6600 Orangethorpe Ave, Buena Park, CA90620

The above statements apply ONLY to those products distributed by Yamaha Corporation of America or its subsidiaries.

\* This applies only to products distributed by YAMAHA CORPORATION OF AMERICA.

(class A)

# PRECAUTIONS

---

## PLEASE READ CAREFULLY BEFORE PROCEEDING

Please keep this manual in a safe place for future reference.



## **WARNING**

---

**Always follow the basic precautions listed below to avoid the possibility of serious injury or even death from electrical shock, short-circuiting, damages, fire or other hazards. These precautions include, but are not limited to, the following:**

### **Power supply/power cord**

---

- Do not damage the power cable or the LAN cable. Failure to observe this precaution could result in fire, electric shock, or damage to the product.
  - Do not place heavy objects on the cable.
  - Do not process the cable in any way.
  - Do not use staples to fix the cable in place.
  - Do not apply excessive force to the cable.
  - Be sure to keep the cable away from anything hot.
- Only use the voltage specified as correct for the device. The required voltage is printed on the name plate of the device.
- Use only the supplied power cord/plug. If you intend to use the device in an area other than in the one you purchased, the included power cord may not be compatible. Please check with your Yamaha dealer.

- Check the electric plug periodically and remove any dirt or dust which may have accumulated on it.
- When setting up the device, make sure that the AC outlet you are using is easily accessible. If some trouble or malfunction occurs, immediately disconnect the plug from the outlet. As long as the power cord is not unplugged from the wall AC outlet, the device will not be disconnected from the power source.
- Be sure to fully and securely insert the power plug into the AC outlet. If the power plug is not fully inserted, use of this product could cause an electric shock. Also, the plug could collect dust, possibly resulting in excessive heat or fire.
- Remove the electric plug from the outlet when the device is not to be used for extended periods of time, or during electrical storms.
- Be sure to connect to an appropriate outlet with a protective grounding connection.
- If you plan to connect a powered device that complies with the IEEE802.3at standards, use a CAT5e or higher-grade cable. Failure to observe this precaution could result in a fire or malfunction.

## Do not open

---

- This device contains no user-serviceable parts. Do not open the device or attempt to disassemble the internal parts or modify them in any way. If it should appear to be malfunctioning, discontinue use immediately and have it inspected by qualified Yamaha service personnel.

## Water warning

---

- Do not expose the device to rain, use it near water or in damp or wet conditions, or place on it any containers (such as vases, bottles or glasses) containing liquids which might spill into any openings. If any liquid such as water seeps into the device, unplug the power cord from the AC outlet. Then have the device inspected by qualified Yamaha service personnel.
- Never insert or remove an electric plug with wet hands.

## Hearing loss

---

- When turning on the AC power in your audio system, always turn on the power amplifier LAST, to avoid hearing loss and speaker damage. When turning the power off, the power amplifier should be turned off FIRST for the same reason.

## Fire warning

---

- Do not place any burning items or open flames near the device, since they may cause a fire.

## If you notice any abnormality

---

- If any of the following problems occur, disconnect the electric plug from the outlet.
  - The power cord or plug becomes frayed or damaged.
  - Unusual smells or smoke are emitted.
  - Some object has been dropped into the device.
  - Cracks or other visible damage appear on the device.Then have the device inspected or repaired by qualified Yamaha service personnel.
- If this device should be dropped or damaged, immediately disconnect the electric plug from the outlet, and have the device inspected by qualified Yamaha service personnel.

## PRECAUTIONS



# CAUTION

**Always follow the basic precautions listed below to avoid the possibility of physical injury to you or others, or damage to the device or other property. These precautions include, but are not limited to, the following:**

### Power supply/power cord

- When removing the electric plug from the device or an outlet, always hold the plug itself and not the cord. Pulling by the cord can damage it.

### Location

- Do not place the device in an unstable position where it might accidentally fall over and cause injuries.
- Do not block the vents. This device has ventilation holes at the top to prevent the internal temperature from becoming too high. In particular, do not place the device on its side or upside down. Inadequate ventilation can result in overheating, possibly causing damage to the device(s), or even fire.
- When installing the device:
  - Do not cover it with any cloth.
  - Do not install it on a carpet or rug.
  - Make sure the top surface faces up; do not install on its sides or upside down.
  - Do not use the device in a confined, poorly-ventilated location.

Inadequate ventilation can result in overheating, possibly causing damage to the device(s), or even fire. If this device is to be used in a small space other than an EIA-standard rack, make sure that there is adequate space around the device: at least 1.3 cm above.

- Do not place the device in a location where it may come into contact with corrosive gases or salt air. Doing so may result in malfunction.
- Before moving the device, remove all connected cables.
- If the device is mounted in an EIA standard rack, carefully read the section “Attaching the rack mount” on page 17. Inadequate ventilation can result in overheating, possibly causing damage to the device(s), malfunction, or even fire.

### Maintenance

- Remove the power plug from the AC outlet when cleaning the device.

### Handling caution

- Avoid inserting or dropping foreign objects (paper, plastic, metal, etc.) into any gaps or openings on the device (vents, panel, etc.) If this happens, have the device inspected by qualified Yamaha service personnel.
- Do not rest your weight on the device or place heavy objects on it. Avoid applying excessive force to the buttons, switches or connectors to prevent injuries.
- Avoid pulling the connected cables to prevent injuries or damage to the device.

Yamaha cannot be held responsible for damage caused by improper use or modifications to the device.

# NOTICE

To avoid the possibility of malfunction/ damage to the product, damage to data, or damage to other property, follow the notices below.

## Handling and maintenance

- Do not touch any port with your fingers or anything metallic. Failure to observe this precaution could result in damage to the product.
- Do not use the device in the vicinity of a TV, radio, AV equipment, mobile phone, or other electric devices. Otherwise, the device, TV, or radio may generate noise.
- Do not expose the device to excessive dust or vibration, or extreme cold or heat (such as in direct sunlight, near a heater, or in a car during the day), in order to prevent the possibility of panel disfiguration, unstable operation, or damage to the internal components.
- Do not place vinyl, plastic or rubber objects on the device, since this might discolor the panel.
- When cleaning the device, use a dry and soft cloth. Do not use paint thinners, solvents, cleaning fluids, or chemical-impregnated wiping cloths.
- Condensation can occur in the device due to rapid, drastic changes in ambient temperature—when the device is moved from one location to another, or air conditioning is turned on or off, for example. Using the device while condensation is present can cause damage. If there is reason to believe that condensation might have occurred, leave the device for several hours without turning on the power until the condensation has completely dried out.

- Be sure to earth (ground) any static electricity from your body or clothing before touching the product. Failure to observe this precaution could result in damage to the product.
- Do not install the product in a location where magnetic fields are strong. Otherwise, it might cause the product to malfunction.
- Do not connect any noise generating devices on the same power line as the product. Failure to observe this precaution could result in a malfunction or damage to the product.
- Do not locate any connected LAN cables close to the power cord. Otherwise, high voltage might be induced, resulting in malfunction.
- A 1000BASE-T connection will require an Enhanced Category 5 (CAT5e) or better LAN cable.
- The rubber feet included in this package can be attached to the device to prevent slippage when it is to be used on a slippery surface.

## About functions/data bundled with the device

- This is a class A product. In a domestic environment this product may cause radio interference in which case the user may be required to take adequate measures. (CISPR22)

## Regarding disposal

- This product contains recyclable components. When disposing of this product, please contact the appropriate local authorities.

## NOTICE

### About this manual

- The illustrations as shown in this manual are for instructional purposes only.
- The company names and product names in this manual are the trademarks or registered trademarks of their respective companies.
- Software may be revised and updated without prior notice.

### Open Source Software Used in this Product

- Please refer to Yamaha Pro Audio website for the details of licensing article.  
<https://www.yamahaproaudio.com/>

European models

Purchaser/User Information specified in EN55103-2:2009.

Conforms to Environments: E1, E2, E3 and E4

The model number, serial number, power requirements, etc., may be found on or near the name plate, which is at the top of the unit. You should note this serial number in the space provided below and retain this manual as a permanent record of your purchase to aid identification in the event of theft.

**Model No.**

---

**Serial No.**

---

(top\_en\_01)

- Suitable for installation in Information Technology Rooms in accordance with Article 645 of the National Electrical Code and NFPA 75.
- The device can only be used in a fixed location such as a telecommunication centre, a dedicated computer room. When you install the device, ensure that the protective earthing connection of the socket-outlet is verified by a skilled person.



# Table of contents

<b>PRECAUTIONS</b> .....	<b>4</b>
<b>NOTICE</b> .....	<b>7</b>
<b>Introduction</b> .....	<b>10</b>
Features .....	10
Accessories .....	10
Options .....	10
Related application software .....	10
<b>Controls and Connectors</b> .....	<b>11</b>
Front panel .....	11
Top panel .....	13
Rear panel .....	14
Bottom panel .....	15
<b>Setting the CONFIGURATION switches</b> .....	<b>16</b>
<b>Attaching the rack mount</b> .....	<b>17</b>
<b>Connections</b> .....	<b>19</b>
<b>Appendix</b> .....	<b>20</b>
Hardware specifications .....	20
Dimensions .....	21
Software license agreement .....	22

## Particular usage in this manual

The following company and product names will be abbreviated as below in this manual.

- Yamaha L2 Switch SWR2100P-10G/SWR2100P-5G: This product
- 10BASE-T/100BASE-TX/1000BASE-T cable: LAN cable

# Introduction

---

Thank you for purchasing the Yamaha SWR2100P-10G or SWR2100P-5G, an L2 switch.

This product supplies power to PoE powered devices on the network.

This owner's manual explains how to install and set up the unit. It is intended for installers or facility designers.

Please be sure to read this manual before you start using the product to take full advantage of its features.

Please retain this manual in a safe location for future reference.

## Features

- The fanless design promotes extremely quiet operation.
- The unit can be mounted in a 19-inch rack.
- By linking the unit to the Yamaha LAN Monitor software application, you can obtain information about the PoE power supply status and the amount of power supplied. You can also stop or resume the power supply by using the software.

## Accessories

Please ensure that you have all of the following accessories.

- Owner's Manual (this manual)
- Power Cord
- Power Cord Clamp (used only for the included dedicated power cord)
- Rubber feet (x4)

## Options

- RK-SWR Rack-mount accessory  
Use this rack-mount accessory to mount the unit in a 19-inch rack. Refer to "Attaching the rack mount" (page 17) for information on how to install the unit.

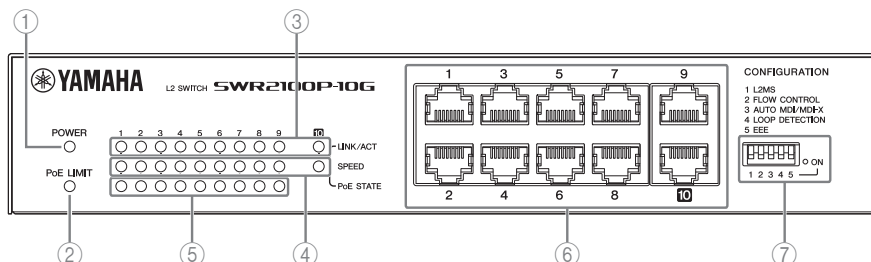
## Related application software

- Yamaha LAN Monitor  
This application software enables you to obtain information about the SWR2100P-10G/ SWR2100P-5G and to monitor an entire network, including all Dante devices on the network.  
Download this application from the following website:  
<https://www.yamahaproaudio.com/>

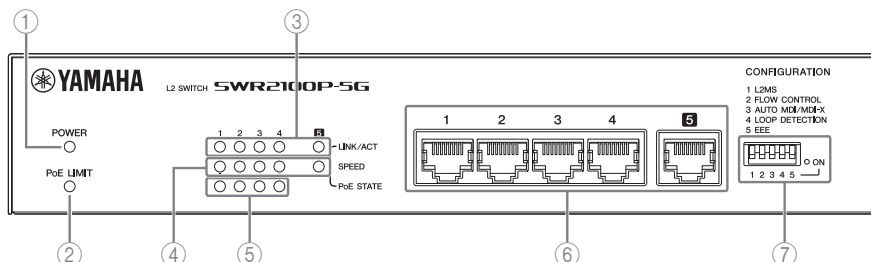
# Controls and Connectors

## Front panel

### ■ SWR2100P-10G



### ■ SWR2100P-5G



#### ① POWER indicator

Lights up when power is provided to the unit.

POWER indicator	Power
Light off	OFF
Light on (green)	ON

#### ② PoE LIMIT indicator

Indicates the status of maximum power supply.

PoE LIMIT indicator	Maximum power supply
Light off	Lower than 63 W
Light on (green)	63 W or higher, lower than 70 W
Flashing (green)	70 W or higher

If the total power supply is 63W or higher but lower than 70W (in this case, the PoE LIMIT indicator will light up steadily in green), you will be unable to increase the number of powered devices to which power is supplied. Therefore, if you connect a powered device to a higher-priority port on the unit, power will be supplied to that powered device, but will not be supplied to a powered device connected to a lower-priority port. On the other hand, if you connect a powered device to a lower-priority port on the unit, power will not be supplied to that powered device.

If the total power supply is 70W or higher (in this case, the PoE LIMIT indicator will flash green), power will not be supplied to a lower-priority port.

Port 1 has the highest priority. Priority decreases as the port number increases (1 → 2 → 3 ...).

Power consumption on certain powered devices varies between standby mode and operating mode. Check the owner's manual for information on the maximum power consumption of the powered devices to be connected.

### ③ LINK/ACT indicator

Indicates LAN port status.

LINK/ACT indicator	LAN port status
Light off	Link down. (unavailable)
Light on (green)	Link established. (available)
Flashing (green)	Data is being transferred.
Flashing (orange)	Loop detected.

The loop detection function can be turned ON/OFF using CONFIGURATION switch 4 on the front panel of the main unit. When turned ON, the loop detection function is enabled in all ports, and in the event of loop detection, communication from the corresponding port is automatically blocked. When turned OFF, the loop detection and blocking functions are disabled in all ports.

### ④ SPEED indicator

Indicates the connection speed of the LAN port.

SPEED indicator	Connection status
Light off	Not connected or connecting via 10BASE-T.
Light on (orange)	Connecting via 100BASE-TX.
Light on (green)	Connecting via 1000BASE-T.

### ⑤ PoE STATE indicator

Indicates the power supply status.

PoE STATE indicator	Power supply status
Light off	Not supplying <sup>*1</sup>
Light on (green)	Supplying
Flashing (green)	Not supplying <sup>*2</sup>

\*1 The indicator is also turned off if a device is not connected to the corresponding port; if the connected device does not need a power supply; or if power is not being supplied to the device due to a limitation in the unit's total power supply.

\*2 The indicator will flash green if power supply is suspended because the power output at the port has exceeded the maximum power supply allowed per port. The maximum power supply allowed per port varies depending on the power consumption class of the connected powered device.

## ⑥ LAN ports

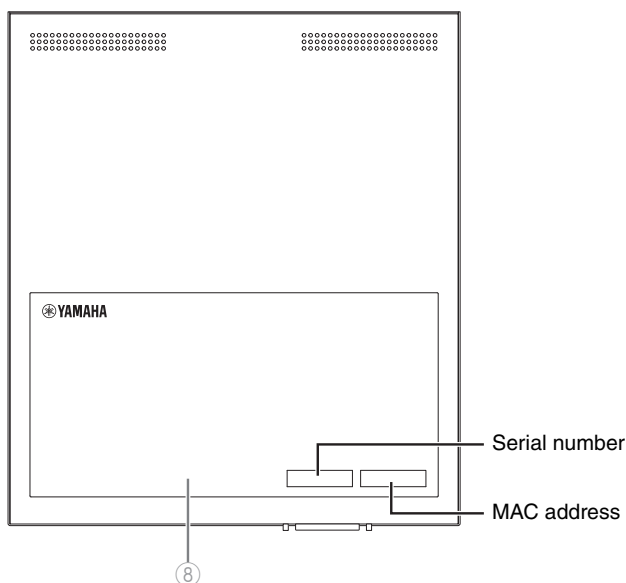
These are ports for 10BASE-T, 100BASE-TX, and 1000BASE-T. Port #10 on the SWR2100P-10G and port #5 on the SWR2100P-5G are uplink ports, and do not provide a power supply function.

## ⑦ CONFIGURATION switch

Sets enabling/disabling of functions.

Please refer to “Setting the CONFIGURATION switches” (page 16).

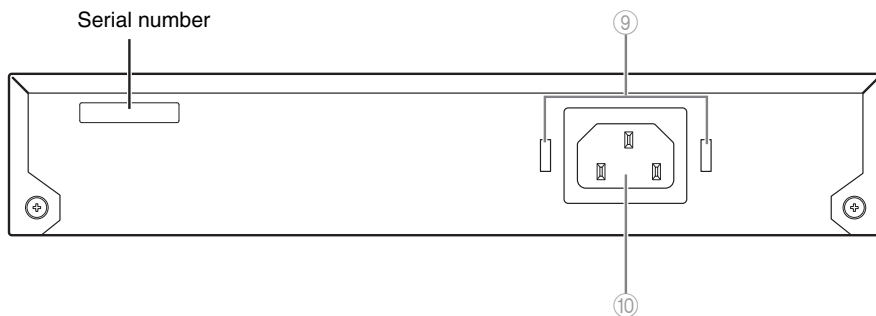
## Top panel



## ⑧ Product label

Indicates the equipment name, serial number, MAC address, etc. of the unit.

## Rear panel



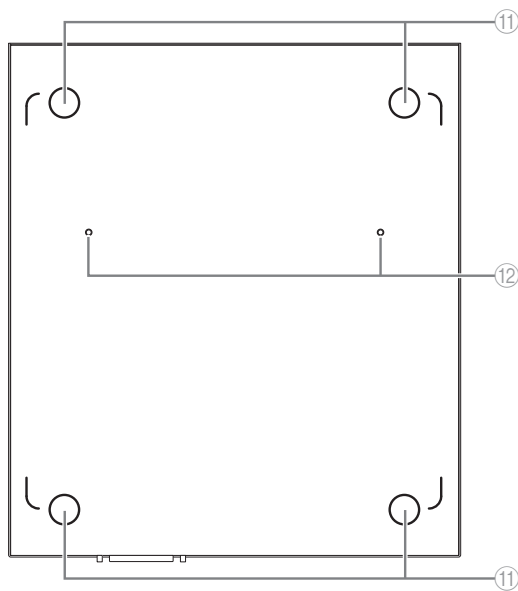
### ⑨ Holes for attaching the power cord clamp

Attach the included power cord clamp (U-shaped type). For information about the attachment method, please refer to “Connections” (page 19).

### ⑩ Power inlet (3 poles connector, C14-type)

Insert the included power cord. Connect to outlets between AC 100V and AC 240V (50/60 Hz).

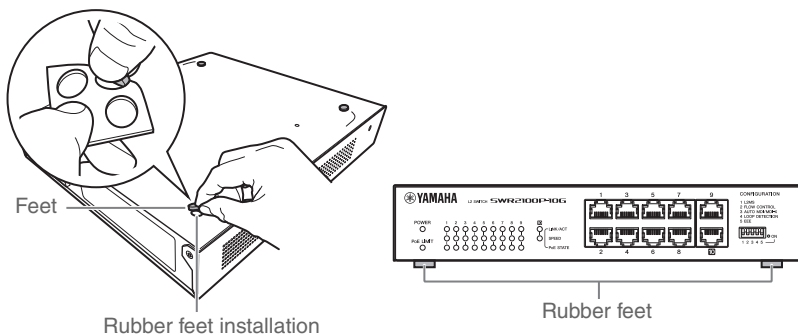
## Bottom panel



### 11 Rubber feet installation guide

The following figure shows the position of the included feet when the unit is placed horizontally upside-down.

When placing the unit horizontally, please attach the included feet as indicated in the figure.



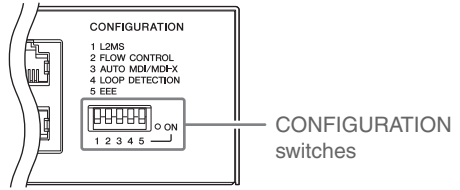
### 12 Attachment holes for the rack-mount accessory

Use these holes to attach the RK-SWR rack-mount accessory. Refer to “Attaching the rack mount” (page 17) for information on how to install the unit.

# Setting the CONFIGURATION switches

You can enable or disable functions for this unit by setting the CONFIGURATION switches.

In order to operate the switches, please use something round, such as the tip of a ballpoint pen or small screwdriver. This unit reads the switch status at startup and enables or disables functions as indicated. If the switch status is changed after startup, the new switch status will be in effect at the next startup.



The functions which can be set via the CONFIGURATION switches are as follows.

No.	Setting function	OFF	ON
1	L2MS (Layer 2 Management Service) function	Disabled	Enabled*
2	Flow control	Disabled	Enabled*
3	Auto MDI/MDI-X	Disabled	Enabled*
4	Loop detection function	Disabled*	Enabled
5	Low power consumption mode	Disabled*	Enabled

\* This is the factory default setting.

## ■ L2MS (Layer 2 Management Service) function

This function manages Yamaha network devices, including this unit, at the layer 2 level. You can control the unit from a Yamaha LAN Monitor that features the L2MS controller function.

## ■ Low power consumption mode

The lower power consumption mode of this unit is compatible with the following methods of IEEE802.3az Energy Efficient Ethernet (called “EEE” in this manual).

- 10BASE-T<sub>e</sub>
- 100BASE-TX/1000BASE-T (LPI)

## NOTE

Do not use the EEE function (\*) on the network switch within the Dante network. Between switches that feature the EEE function, the setting for power consumption is automatically adjusted. However, some switches might not respond correctly to this adjustment. Therefore, the EEE function on some switches might be enabled accidentally within the Dante network, which might cause clock sync performance to deteriorate and result in audio that breaks up.

\* EEE (Energy Efficient Ethernet) function is used to reduce power consumption of Ethernet devices when network traffic is low. This technology is also called “Green Ethernet” or “IEEE802.3az”.



# Attaching the rack mount

This section explains how to attach an optional RK-SWR rack mount accessory to the unit.

## Please read before mounting the unit into a rack

This unit is guaranteed to operate properly at 0–40 degree Celsius (32–104 degrees Fahrenheit). If you install this unit along with other devices into an EIA-standard rack, the temperature inside the rack may rise due to heat released from the other devices, resulting in poor performance of the unit. To prevent the temperature inside the rack from rising, mount the unit in the rack, adhering to the requirements below:

- If you plan to rack-mount the unit along with a device that tends to generate heat, such as an amplifier (excluding an XMV series), be sure to leave a gap of 1U or more from such devices. Also, be sure to maintain sufficient ventilation in this space by installing a ventilation panel or leaving it open.
- Open the rear panel of the rack, place the rack 10 cm (about four inches) away from the walls and ceiling to keep sufficient ventilation. If you cannot open the rear panel of the rack, install a commercially-available forced ventilation device, such as a fan kit. If you install a fan kit, closing the rear panel may work better for heat dissipation purposes. For more information, refer to the owner's manual for the rack and/or fan kit.

If you plan to relocate the unit, be sure to first remove it from the rack. Moving the unit along with the rack could cause the unit to malfunction.



## Caution

**If you plan to relocate the rack, be sure to first remove this unit from the rack.**

If you move the rack with this unit mounted, vibration or physical shock might cause the rack mount accessory to deform or break, possibly causing injury.

There is also a possibility that this unit might malfunction.

## [Installation]

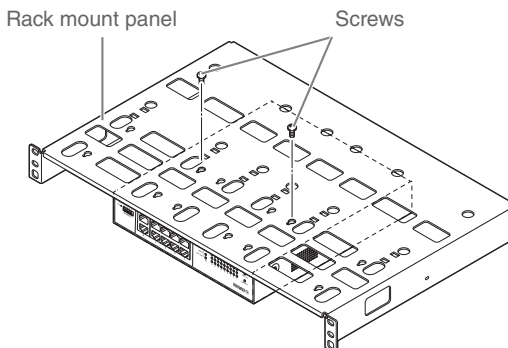
This section explains how to attach the unit in the middle block of a rack mount panel. Even if you plan to attach the unit in the left or right block, follow the procedure below.

### Notice

**If the supplied feet have already been attached to the unit, remove them.**

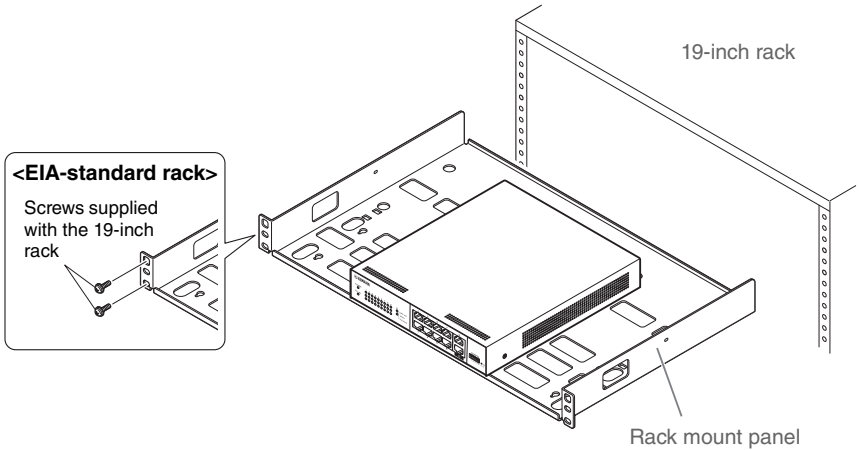
## 1. Attaching the rack mount panel to the unit

Use two screws (supplied with the rack-mount accessory) to attach and secure the rack mount panel to the bottom of the unit.

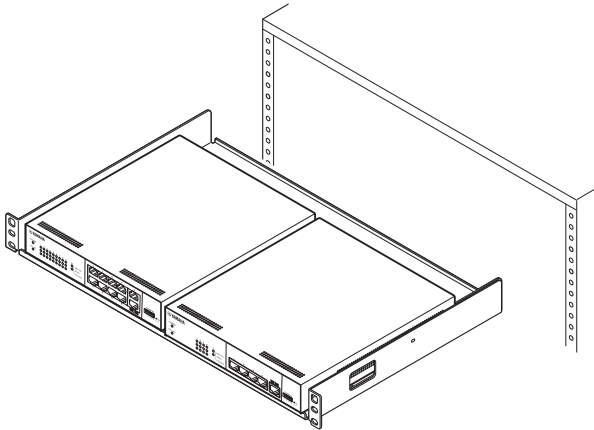


## 2. Installing the rack mount panel to the 19-inch rack

Use four screws (supplied with an EIA-standard 19-inch rack) to mount the unit into the rack. Be sure to tighten the screws so that they will not get loosened.



You can also mount two units as shown in the figure below.

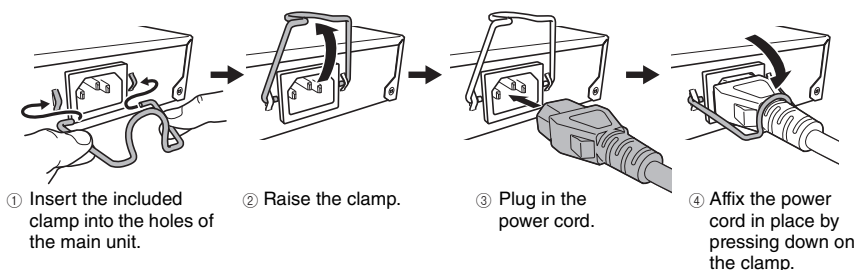


# Connections

1. Connect the LAN port of the network device to the LAN port of this product using a LAN cable.
2. Connect the power cord to a power inlet.

## Notice

- We recommend that you attach the supplied power cord clamp to prevent the power cord from accidentally being disconnected.
- This clamp is used only for the supplied power cord.  
If you use the clamp for other power cords, they might be damaged or might not secure properly.



3. Connect the power plug to an electrical outlet.

The POWER indicator lights up.

4. Turn the power of the network devices connected to this product ON.

If the LINK/ACT indicator corresponding to the LAN port to which the network device is connected turns green or flashes green, this indicates that the status is normal.

**[If the LINK/ACT indicator corresponding to the LAN port does not turn green or flash green]**

Please check that the LAN cable is correctly connected and the power of the connected network device is ON.

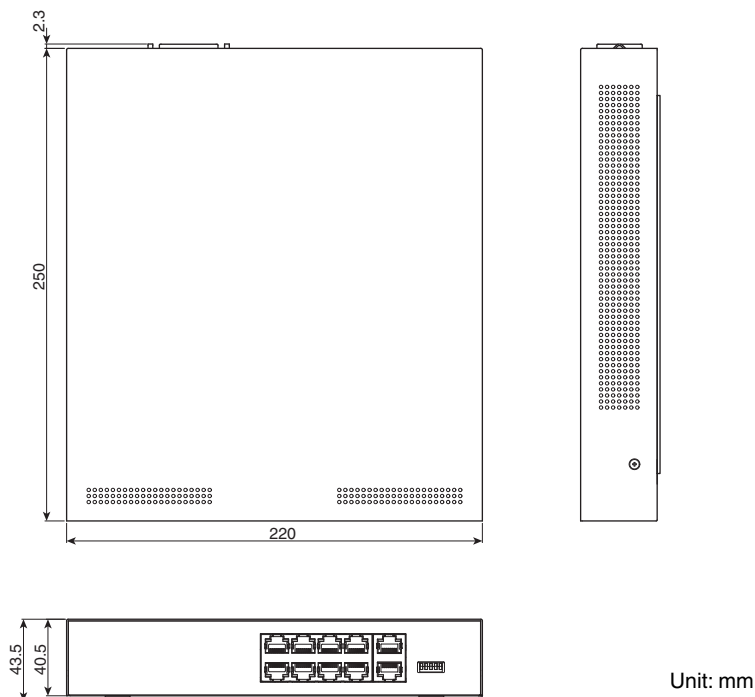
**[If the LINK/ACT indicator corresponding to the LAN port flashes orange]**  
Loop detected. Please check the LAN cable connection.

# Appendix

## Hardware specifications

Items		SWR2100P-10G	SWR2100P-5G
External dimensions (W x D x H, Unit: mm)		220 x 250 x 40.5 (Without any protrusion or feet)	220 x 250 x 40.5 (Without any protrusion or feet)
Weight		1.8 kg	1.6 kg
LAN port	Standard	IEEE802.3 (10BASE-T/100BASE-TX/1000BASE-T)	
	Number of ports	10 ports	5 ports
Ports available for PoE power supply		9 ports (port 1–9)	4 ports (port 1–4)
PoE standards		IEEE 802.3at	
Power supply system		Alternative A	
Maximum power supply	Per port	30W (Varies depending on the power consumption class of each connected powered device.)	
	All ports	70W	
Compatible PoE powered devices		PoE powered devices that comply IEEE 802.3af standards or IEEE 802.3at standards	
Status indicators		POWER, PoE LIMIT, LINK/ACT, SPEED, PoE STATE (x31)	POWER, PoE LIMIT, LINK/ACT, SPEED, PoE STATE (x16)
Switches		CONFIGURATION switches for modifying the settings (L2MS switch, Flow control switch, Auto MDI/MDI-X switch, Loop detection switch, energy save mode switch)	
Power supply voltage, frequency		AC100 V to 240 V, 50 Hz/60 Hz	
Operating environment	Ambient temperature	0 to 40 °C	
	Ambient humidity	15 to 80% (no condensation)	
Storage environment	Ambient temperature	-20 to 50 °C	
	Ambient humidity	10 to 90% (no condensation)	
Power consumption		90 W	86 W
Accessories		Owner's Manual; power cord (3-prong); power cord clamp; feet	

## Dimensions



\* The contents of this manual apply to the latest specifications as of the publishing date. To obtain the latest manual, access the Yamaha website then download the manual file.

## Software license agreement

The product firmware revision number can be updated.

Updating the firmware revision is considered an indication of agreement to the Yamaha network product software license agreement. Before updating the firmware revision, be sure to carefully read the Yamaha network product software license agreement.

If you cannot agree to the terms in the Yamaha network product software license agreement, do not update the firmware revision. Even in the case of negligence, Yamaha accepts no responsibility for any customer losses caused by the software, unless such disclaimer is specifically prohibited by an applicable law or regulation.



Yamaha Network Product Software License Agreement

<http://www.rtpro.yamaha.co.jp/RT/docs/firmware/license/LICENSE>

# MEMO

# Important Notice: Guarantee Information for customers in European Economic Area (EEA) and Switzerland

<b>Important Notice: Guarantee Information for customers in EEA* and Switzerland</b>	<b>English</b>
For detailed guarantee information about this Yamaha product, and Pan-EEA* and Switzerland warranty service, please either visit the website address below (Printable file is available at our website) or contact the Yamaha representative office for your country. * EEA: European Economic Area	
<b>Wichtiger Hinweis: Garantie-Information für Kunden in der EWR* und der Schweiz</b>	<b>Deutsch</b>
Für nähere Garantie-Information über dieses Produkt von Yamaha, sowie über den Pan-EWR* und Schweizer Garantieservice, besuchen Sie bitte entweder die folgend angegebene Internetadresse (eine druckfähige Version befindet sich auch auf unserer Webseite), oder wenden Sie sich an den für Ihr Land zuständigen Yamaha-Vertrieb. *EWR: Europäischer Wirtschaftsraum	
<b>Remarque importante: informations de garantie pour les clients de l'EEE et la Suisse</b>	<b>Français</b>
Pour des informations plus détaillées sur la garantie de ce produit Yamaha et sur le service de garantie applicable dans l'ensemble de l'EEE ainsi qu'en Suisse, consultez notre site Web à l'adresse ci-dessous (le fichier imprimable est disponible sur notre site Web) ou contactez directement Yamaha dans votre pays de résidence. * EEE : Espace Economique Européen	
<b>Belangrijke mededeling: Garantie-informatie voor klanten in de EER* en Zwitserland</b>	<b>Nederlands</b>
Voor gedetailleerde garantie-informatie over dit Yamaha-product en de garantieservice in heel de EER* en Zwitserland, gaat u naar de onderstaande website (u vindt een afdrukbaar bestand op onze website) of neemt u contact op met de vertegenwoordiging van Yamaha in uw land. * EER: Europese Economische Ruimte	
<b>Avviso importante: información sobre la garantía para los clientes del EEE* y Suiza</b>	<b>Español</b>
Para una información detallada sobre este producto Yamaha y sobre el soporte de garantía en la zona EEE* y Suiza, visite la dirección web que se incluye más abajo (la versión del archivo para imprimir esta disponible en nuestro sitio web) o póngase en contacto con el representante de Yamaha en su país. * EEE: Espacio Económico Europeo	
<b>Avviso importante: informazioni sulla garanzia per i clienti residenti nell'EEA* e in Svizzera</b>	<b>Italiano</b>
Per informazioni dettagliate sulla garanzia relativa a questo prodotto Yamaha e l'assistenza in garanzia nei paesi EEA* e in Svizzera, potete consultare il sito Web all'indirizzo riportato di seguito (è disponibile il file in formato stampabile) oppure contattare l'ufficio di rappresentanza locale della Yamaha. *EEA: Area Economica Europea	
<b>Aviso importante: informações sobre as garantias para clientes da AEE* e da Suíça</b>	<b>Português</b>
Para obter uma informação pormenorizada sobre este produto da Yamaha e sobre o serviço de garantia na AEE* e na Suíça, visite o site a seguir (o arquivo para impressão está disponível no nosso site) ou entre em contato com o escritório de representação da Yamaha no seu país. * AEE: Área Económica Europeia	
<b>Σημαντική σημείωση: Πληροφορίες εγγύησης για τους πελάτες στον ΕΟΧ* και Ελβετία</b>	<b>Ελληνικά</b>
Για λεπτομερείς πληροφορίες εγγύησης σχετικά με το παρόν προϊόν της Yamaha και την κάλυψη εγγύησης σε όλες τις χώρες του ΕΟΧ και την Ελβετία, επισκεφτείτε την παρακάτω ιστοσελίδα (Εκτυπώσιμη μορφή είναι διαθέσιμη στην ιστοσελίδα μας) ή απευθυνθείτε στην αντιπροσωπεία της Yamaha στη χώρα σας. * ΕΟΧ: Ευρωπαϊκός Οικονομικός Χώρος	
<b>Viktig: Garantierinformation för kunder i EES-området* och Schweiz</b>	<b>Svenska</b>
För detaljerad information om denna Yamaha-produkt samt garantier och service i hela EES-området* och Schweiz kan du antingen besöka nedanstående webbadress (en utskriftsvänlig fil finns på webbplatsen) eller kontakta Yamahas officiella representant i ditt land. *EES: Europeiska Ekonomiska Samarbetsområdet	
<b>Viktig merknad: Garantiinformasjon for kunder i EØS* og Sveits</b>	<b>Norsk</b>
Detaljert garantiinformasjon om dette Yamaha-produktet og garantier og service for hele EØS-området* og Sveits kan fås enten ved å besøke nettstedene nedenfor (utskriftsversjon finnes på våre nettsider) eller kontakte kontakke Yamaha-kontoret i landet der du bor. *EØS: Det europeiske økonomiske samarbeidsområdet	
<b>Vigtig oplysning: Garantiplysninger til kunder i EØO* og Schweiz</b>	<b>Dansk</b>
De kan finde detaljerede garantioplysninger om dette Yamaha-produkt og den fælles garantisejersordning for EØO* (og Schweiz) ved at besøge det websted, der er angivet nedenfor (der findes en fil, som kan udskrives, på vores websted), eller ved at kontakte Yamahas nationale repræsentationskontor i det land, hvor De bor. * EØO: Det Europæiske Økonomiske Område	
<b>Tärkeä ilmoitus: Taku tiedot Euroopan talousalueen (ETA)* ja Sveitsin asiakkaille</b>	<b>Suomi</b>
Tämäin Yamaha-tuotteiden sekä ETA-talouden ja Sveitsin takuuta koskevat yksityiskohtaiset tiedot saatte alla olevasta nettiosoitteesta. (Tulostettava tiedosto saatavissa sivustollamme.) Voitte myös ottaa yhteyttä paikalliseen Yamaha-edustajaan. *ETA: Euroopan talousalue	
<b>Ważne: Warunki gwarancyjne obowiązujące w EOG* i Szwajcarii</b>	<b>Polski</b>
Aby dowiedzieć się więcej na temat warunków gwarancyjnych tego produktu firmy Yamaha i serwisu gwarancyjnego w całym EOG* i Szwajcarii, należy odwiedzić wskazaną poniżej stronę internetową (Plik gotowy do wydruku znajduje się na naszej stronie internetowej) lub skontaktować się z przedstawicielstwem firmy Yamaha w swoim kraju. * EOG — Europejski Obszar Gospodarczy	
<b>Důležité oznámení: Zásudní informace pro zákazníky v EHS* a ve Švýcarsku</b>	<b>Česky</b>
Podrobné zásudní informace o tomto produktu Yamaha a zásudním servisu v celém EHS* a ve Švýcarsku naleznete na níže uvedené webové adrese (soubor k tisku je dostupný na našich webových stránkách) nebo se můžete obrátit na zastoupení firmy Yamaha ve své zemi. * EHS: Evropský hospodářský prostor	
<b>Fontos figyelemzetetés: Garancia-információk az EGT* területén és Svájcban élő vásárlók számára</b>	<b>Magyar</b>
A jelen Yamaha termékre vonatkozó részletes garancia-információk, valamint az EGT*-re és Svájcra kiterjedő garanciális szolgáltatás tekintetében keresse fel webhelyünket az alábbi címen (a webhelyen nyomtatható fájl is található), vagy pedig lépjen kapcsolatba az országában működő Yamaha képviselői irodával. * EGT: Európai Gazdasági Térség	
<b>Oluline märkus: Garantiteave Euroopa Majanduspiirkonna (EMP)* ja Šveitsi klientidele</b>	<b>Eesti keel</b>
Täpsem teabe saamiseks selle Yamaha toote garantii ning kogu Euroopa Majanduspiirkonna ja Šveitsi garantiteeninduse kohta, külastage palun veebisaiti alljärgneval aadressil (meie saidil on saadaval printitav fail) või pöörduge Teie regiooni Yamaha esinduse poole. * EMP: Euroopa Majanduspiirkond	
<b>Svarīgs paziņojums: garantijas informācija klientiem EEZ* un Šveicē</b>	<b>Latviešu</b>
Lai saņemtu detalizētā garantijas informāciju par šo Yamaha produktu, kā arī garantijas apkalpošanu EEZ* un Šveicē, lūdz, apmeklējiet zemāk norādīto tīmekļa vietnes adresi (tīmekļa vietnē ir pieejams drukājams fails) vai sazinieties ar jūsu valsti apkalpojošo Yamaha pārstāvniecību. * EEZ: Eiropas Ekonomikas zona	
<b>Dėmesio: informacija dėl garantijos pirkėjams EEE* ir Šveicarijoje</b>	<b>Lietuvių kalba</b>
Jei reikia išsamios informacijos apie šį „Yamaha“ produktą ir jo techninę priežiūrą visoje EEE* ir Šveicarijoje, apsilankykite mūsų svetainėje toliau nurodytu adresu (svetainėje yra spausdinamas failas) arba kreipkitės į „Yamaha“ atstovybę savo šalyje. *EEE – Europos ekonominė erdvė	
<b>Dôležité upozornenie: Informácie o záruke pre zákazníkov v EHP* a Švajčiarsku</b>	<b>Slovenčina</b>
Podrobné informácie o záruke týkajúce sa tohto produktu od spoločnosti Yamaha a garancijnom servise v EHP* a Švajčiarsku nájdete na webovej stránke uvedenej nižšie (na našej webovej stránke je k dispozícii súbor na tlač) alebo sa obráťte na zástupcu spoločnosti Yamaha vo svojej krajine. * EHP: Európsky hospodársky priestor	
<b>Pomembno obvestilo: Informacije o garanciji za kupce v EGP* in Švici</b>	<b>Slovensščina</b>
Za podrobne informacije o tem Yamaha izdelku ter garancijskem servisu v celotnem EGP in Švici, obiščite spletno mesto, ki je navedeno spodaj (natiljiva datoteka je na voljo na našem spletnem mestu), ali se obrnite na Yamahinega predstavnika v svoji državi. * EGP: Evropski gospodarski prostor	
<b>Важно съобщение: Информация за гаранцията за клиенти в ЕИП* и Швейцария</b>	<b>Български език</b>
За подробна информация за гаранцията за този продукт на Yamaha и гаранционното обслужване в паневропейската зона на ЕИП* и Швейцария или посетете посочения по-долу уеб сайт (на нашия уеб сайт има файл за печат), или се свържете с представителния офис на Yamaha във вашата страна. * ЕИП: Европейско икономическо пространство	
<b>Notificare importantă: Informații despre garanție pentru clienții din SEE* și Elveția</b>	<b>Limba română</b>
Pentru informații detaliate privind acest produs Yamaha și serviciul de garanție Pan-SEE* și Elveția, vizitați site-ul la adresa de mai jos (fișierul imprimabil este disponibil pe site-ul nostru) sau contactați biroul reprezentanței Yamaha din țara dumneavoastră. * SEE: Spațiul Economic European	
<b>Važna obavijest: Informacije o jamstvu za države EGP-a i Švicarske</b>	<b>Hrvatski</b>
Za detaljne informacije o jamstvu za ovaj Yamahin proizvod te jamstvenom servisu za cijeli EGP i Švicarsku, molimo Vas da posjetite web-stranicu navedenu u nastavku ili kontaktirate ovlaštenog Yamahinog dobavljača u svojoj zemlji. * EGP: Evropski gospodarski prostor	

<https://europe.yamaha.com/warranty/>

URL 5



## Information for users on collection and disposal of old equipment:



This symbol on the products, packaging, and/or accompanying documents means that used electrical and electronic products should not be mixed with general household waste.

For proper treatment, recovery and recycling of old products, please take them to applicable collection points, in accordance with your national legislation.

By disposing of these products correctly, you will help to save valuable resources and prevent any potential negative effects on human health and the environment which could otherwise arise from inappropriate waste handling.

For more information about collection and recycling of old products, please contact your local municipality, your waste disposal service or the point of sale where you purchased the items.

### For business users in the European Union:

If you wish to discard electrical and electronic equipment, please contact your dealer or supplier for further information.

### Information on Disposal in other Countries outside the European Union:

This symbol is only valid in the European Union. If you wish to discard these items, please contact your local authorities or dealer and ask for the correct method of disposal.

(weee\_eu\_en\_02)

## Verbraucherinformation zur Sammlung und Entsorgung alter Elektrogeräte



Befindet sich dieses Symbol auf den Produkten, der Verpackung und/oder beiliegenden Unterlagen, so sollten benutzte elektrische Geräte nicht mit dem normalen Haushaltsabfall entsorgt werden.

In Übereinstimmung mit Ihren nationalen Bestimmungen bringen Sie alte Geräte bitte zur fachgerechten Entsorgung, Wiederaufbereitung und Wiederverwendung zu den entsprechenden Sammelstellen.

Durch die fachgerechte Entsorgung der Elektrogeräte helfen Sie, wertvolle Ressourcen zu schützen, und verhindern mögliche negative Auswirkungen auf die menschliche Gesundheit und die Umwelt, die andernfalls durch unsachgerechte Müllentsorgung auftreten könnten.

Für weitere Informationen zum Sammeln und Wiederaufbereiten alter Elektrogeräte kontaktieren Sie bitte Ihre örtliche Stadt- oder Gemeindeverwaltung, Ihren Abfallentsorgungsdienst oder die Verkaufsstelle der Artikel.

### Information für geschäftliche Anwender in der Europäischen Union:

Wenn Sie Elektrogeräte ausrangieren möchten, kontaktieren Sie bitte Ihren Händler oder Zulieferer für weitere Informationen.

### Entsorgungsinformation für Länder außerhalb der Europäischen Union:

Dieses Symbol gilt nur innerhalb der Europäischen Union. Wenn Sie solche Artikel ausrangieren möchten, kontaktieren Sie bitte Ihre örtlichen Behörden oder Ihren Händler und fragen Sie nach der sachgerechten Entsorgungsmethode.

(weee\_eu\_de\_02)

## Informations concernant la collecte et le traitement des déchets d'équipements électriques et électroniques



Le symbole sur les produits, l'emballage et/ou les documents joints signifie que les produits électriques ou électroniques usagés ne doivent pas être mélangés avec les déchets domestiques habituels.

Pour un traitement, une récupération et un recyclage appropriés des déchets d'équipements électriques et électroniques, veuillez les déposer aux points de collecte prévus à cet effet, conformément à la réglementation nationale.

En vous débarrassant correctement des déchets d'équipements électriques et électroniques, vous contribuerez à la sauvegarde de précieuses ressources et à la prévention de potentiels effets négatifs sur la santé humaine qui pourraient advenir lors d'un traitement inapproprié des déchets.

Pour plus d'informations à propos de la collecte et du recyclage des déchets d'équipements électriques et électroniques, veuillez contacter votre municipalité, votre service de traitement des déchets ou le point de vente où vous avez acheté les produits.

### Pour les professionnels dans l'Union européenne :

Si vous souhaitez vous débarrasser des déchets d'équipements électriques et électroniques, veuillez contacter votre vendeur ou fournisseur pour plus d'informations.

### Informations sur la mise au rebut dans d'autres pays en dehors de l'Union européenne :

Ce symbole est seulement valable dans l'Union européenne. Si vous souhaitez vous débarrasser de déchets d'équipements électriques et électroniques, veuillez contacter les autorités locales ou votre fournisseur et demander la méthode de traitement appropriée.

(weee\_eu\_fr\_02)

## Información para usuarios sobre la recogida y eliminación de los equipos antiguos



Este símbolo en los productos, embalajes y documentos anexos significa que los productos eléctricos y electrónicos no deben mezclarse con los desperdicios domésticos normales.

Para el tratamiento, recuperación y reciclaje apropiados de los productos antiguos, llévelos a puntos de reciclaje correspondientes, de acuerdo con la legislación nacional.

Al deshacerse de estos productos de forma correcta, ayudará a ahorrar recursos valiosos y a impedir los posibles efectos desfavorables en la salud humana y en el entorno que de otro modo se producirían si se trataran los desperdicios de modo inapropiado.

Para obtener más información acerca de la recogida y el reciclaje de los productos antiguos, póngase en contacto con las autoridades locales, con el servicio de eliminación de basuras o con el punto de venta donde adquirió los artículos.

### Para los usuarios empresariales de la Unión Europea:

Si desea desechar equipos eléctricos y electrónicos, póngase en contacto con su vendedor o proveedor para obtener más información.

### Información sobre la eliminación en otros países fuera de la Unión Europea:

Este símbolo solo es válido en la Unión Europea. Si desea desechar estos artículos, póngase en contacto con las autoridades locales o con el vendedor y pregúnteles el método correcto.

(weee\_eu\_es\_02)

## Informazioni per gli utenti sulla raccolta e lo smaltimento di vecchia attrezzatura



Questi simboli sui prodotti, sull'imballaggio e/o sui documenti che li accompagnano, indicano che i prodotti elettrici ed elettronici non devono essere mischiati con i rifiuti generici.

Per il trattamento, il recupero e il riciclaggio appropriato di vecchi prodotti, si prega di portarli ai punti di raccolta designati, in accordo con la legislazione locale.

Smaltendo correttamente questi prodotti si potranno recuperare risorse preziose, oltre a prevenire potenziali effetti negativi sulla salute e l'ambiente che potrebbero sorgere a causa del trattamento improprio dei rifiuti.

Per ulteriori informazioni sulla raccolta e il riciclaggio di vecchi prodotti, si prega di contattare l'amministrazione comunale locale, il servizio di smaltimento dei rifiuti o il punto vendita dove sono stati acquistati gli articoli.

### Per utenti imprenditori dell'Unione europea:

Se si desidera scartare attrezzatura elettrica ed elettronica, si prega di contattare il proprio rivenditore o il proprio fornitore per ulteriori informazioni.

### Informazioni sullo smaltimento negli altri Paesi al di fuori dell'Unione europea:

Questi simboli sono validi solamente nell'Unione Europea; se si desidera scartare questi articoli, si prega di contattare le autorità locali o il rivenditore e richiedere informazioni sulla corretta modalità di smaltimento.

(weee\_eu\_it\_02)

# Yamaha Worldwide Representative Offices

## English

For details on the product(s), contact your nearest Yamaha representative or the authorized distributor, found by accessing the 2D barcode below.

## Deutsch

Wenden Sie sich für nähere Informationen zu Produkten an eine Yamaha-Vertretung oder einen autorisierten Händler in Ihrer Nähe. Diese finden Sie mithilfe des unten abgebildeten 2D-Strichcodes.

## Français

Pour obtenir des informations sur le ou les produits, contactez votre représentant ou revendeur agréé Yamaha le plus proche. Vous le trouverez à l'aide du code-barres 2D ci-dessous.

## Español

Para ver información detallada sobre el producto, contacte con su representante o distribuidor autorizado Yamaha más cercano. Lo encontrará escaneando el siguiente código de barras 2D.

## Italiano

Per dettagli sui prodotti, contattare il rappresentante Yamaha o il distributore autorizzato più vicino, che è possibile trovare tramite il codice a barre 2D in basso.

## Português

Para mais informações sobre o(s) produto(s), fale com seu representante da Yamaha mais próximo ou com o distribuidor autorizado acessando o código de barras 2D abaixo.

## Русский

Чтобы узнать подробнее о продукте (продуктах), свяжитесь с ближайшим представителем или авторизованным дистрибьютором Yamaha, воспользовавшись двухмерным штрихкодом ниже.

## 简体中文

如需有关产品的详细信息，请联系距您最近的Yamaha代表或授权经销商，可通过访问下方的2D条形码找到这些代表或经销商的信息。

## 繁體中文

如需產品的詳細資訊，請聯絡與您距離最近的Yamaha銷售代表或授權經銷商，您可以掃描下方的二維條碼查看相關聯絡資料。

## 한국어

제품에 대한 자세한 정보는 아래 2D 바코드에 액세스하여 가까운 Yamaha 담당 판매점 또는 공식 대리점에 문의하십시오.



[https://manual.yamaha.com/pa/address\\_list/](https://manual.yamaha.com/pa/address_list/)

**Head Office/Manufacturer: Yamaha Corporation** 10-1, Nakazawa-cho, Chuo-ku, Hamamatsu, 430-8650, Japan

**Importer (European Union): Yamaha Music Europe GmbH** Siemensstrasse 22-34, 25462 Rellingen, Germany

**Importer (United Kingdom): Yamaha Music Europe GmbH (UK)** Sherbourne Drive, Tilbrook, Milton Keynes, MK7 8BL, United Kingdom

PA61

Yamaha Pro Audio global website  
<https://www.yamahaproaudio.com/>  
Yamaha Downloads  
<https://download.yamaha.com/>